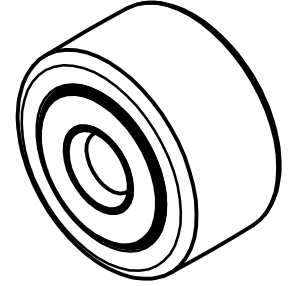
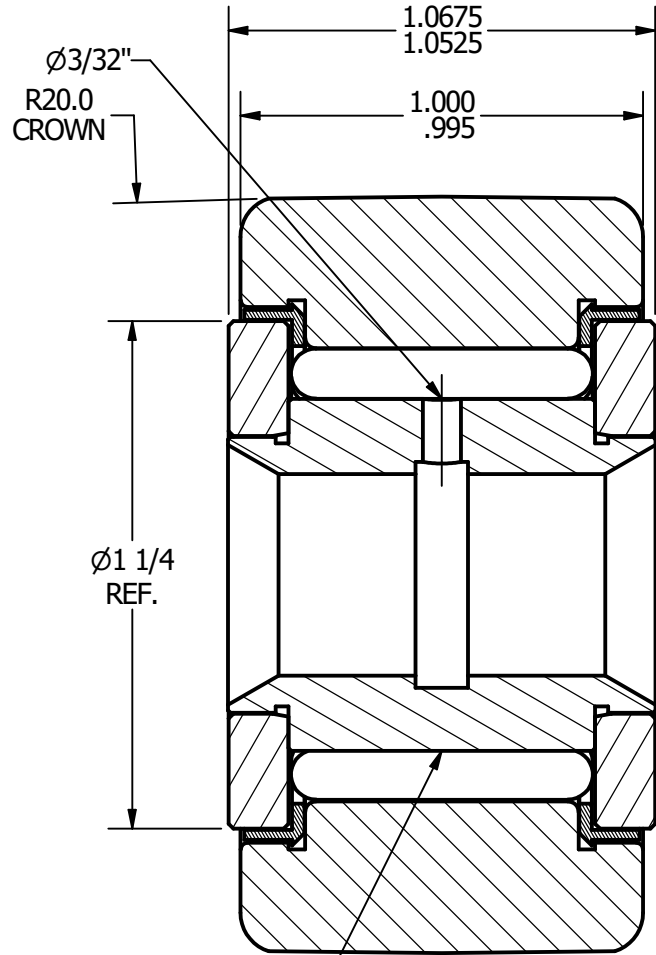
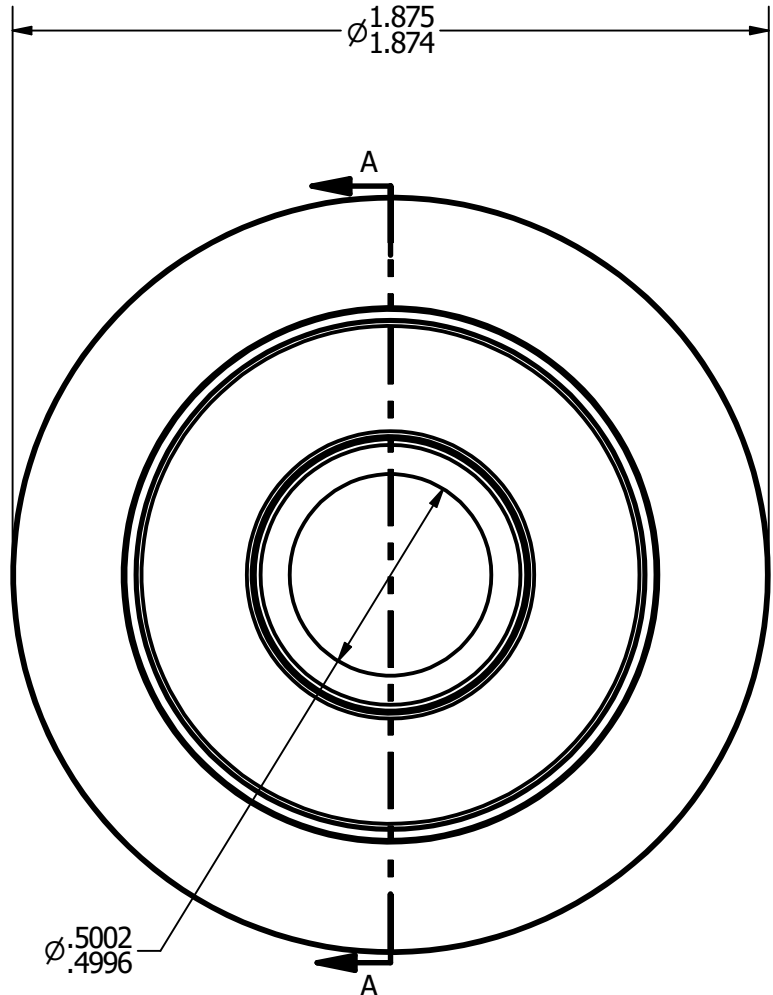


NOTES:
1. BEARING IS PACKED WITH LUBRIPLATE SFL-2 GREASE



RADIAL BASIC DYNAMIC RATING (POUNDS) 5180

MAXIMUM STATIC CAPACITY (POUNDS) 12672

MATERIAL NOTES:
OUTER - 440C STAINLESS STEEL, HEAT TREATED
STUD - 440C STAINLESS STEEL, ZONE HARDENED
NEEDLE - 440C STAINLESS STEEL, HEAT TREATED
WASHER - 440C STAINLESS STEEL, HEAT TREATED
SEAL - SYNTHETIC

CUSTOMER PART#
 .XX = $\pm .01$
 .XXX = $\pm .005$
 .XXXX = $\pm .0005$
 ANGLES = $\pm 1'$
 INCH [METRIC]

CARTER MANUFACTURING IS NOT RESPONSIBLE FOR TYPOGRAPHICAL ERRORS

CARTER MANUFACTURING CO., INC.
 GRAND HAVEN, MICHIGAN 49417

CHANGE NOTE:

REVISION		PART NAME: ASSEMBLY			SHEET 1 OF 2	
A	AUTHOR. BY	DRAWN BY	CHK'D BY	SALES	MATERIAL	
	JGV	JAF	JGV	KPR	NOTED	
REV. BY	DATE	DATE	DATE	DATE	DRAWING NO.	
JAF	8/8/2006	8/9/2006	8/8/2006	8/7/2006	CSY-60-S	