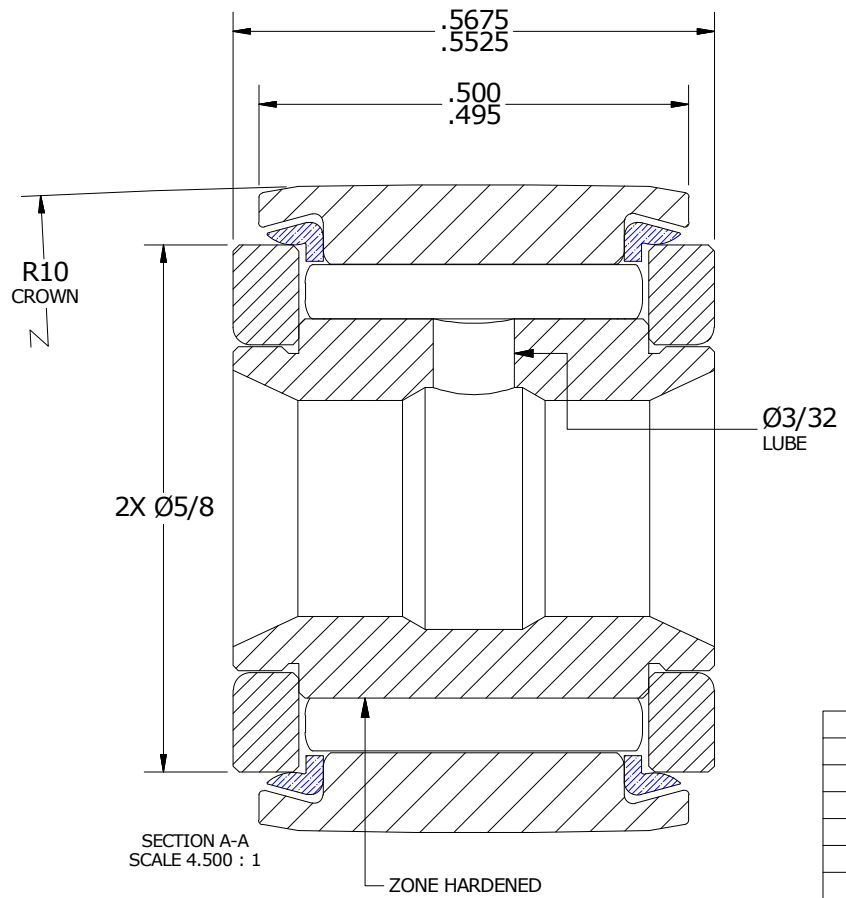
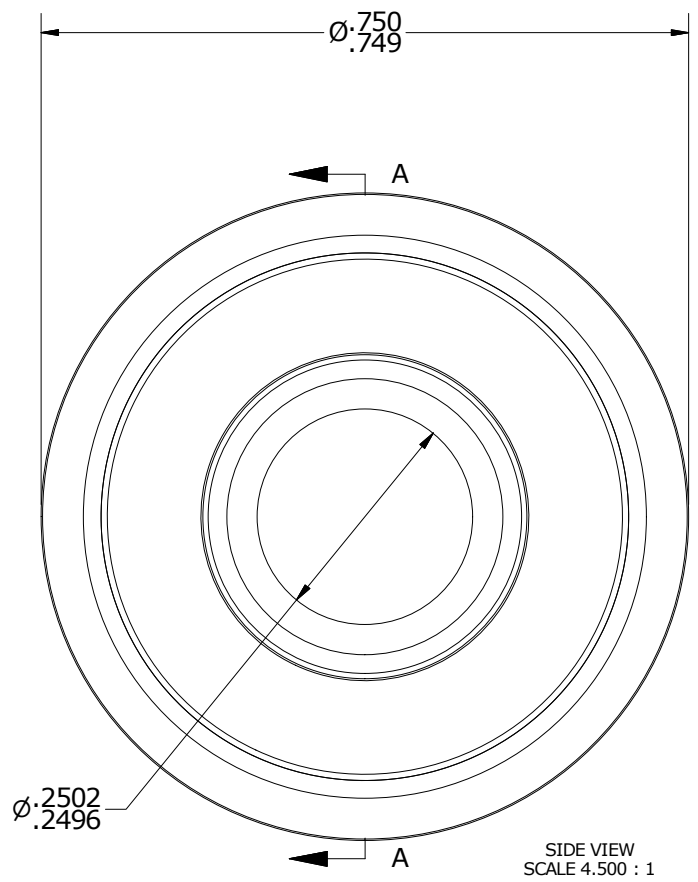
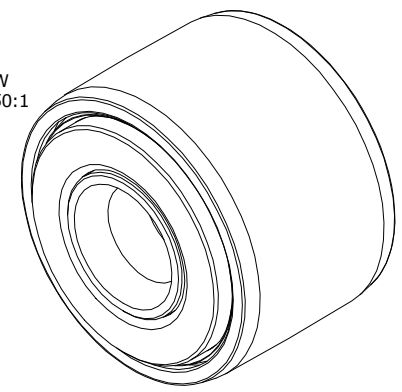


LOAD RATINGS		
RATING	lbf	Newtons
RADIAL BASIC DYNAMIC	1,490	6,628
MAXIMUM STATIC CAPACITY	2,100	9,341

NOTES:
 1. BEARING IS PACKED WITH NLGI 2, ~~AEROSEAL~~ ~~GRADE~~ GREASE OR EQUIVALENT PER MIL-PRF-81322G
 2. LIMITING SPEED:
 A. GREASE = 6,400 RPM

MS NO. _____ NSN NO. _____ DRAWING NO. CSY-24-S

ISO VIEW
SCALE 2.250:1



Recommended Shaft Fits		
Fit Type - Dimension	Ø (Inch)	Ø (mm)
Push - Max	.2497	6.3424
Push - Min	.2493	6.3322
Drive - Max	.2503	6.3576
Drive - Min	.2499	6.3475
Press - Max	.2505	6.3627
Press - Min	.2501	6.3525

MATERIAL NOTES:
 OUTER RING - 440C STAINLESS STEEL, HEAT TREATED
 INNER RING - 440C STAINLESS STEEL, ZONE HARDENED
 WASHER(S) - 440C STAINLESS STEEL, HEAT TREATED
 NEEDLE ROLLER(S) - 440C STAINLESS STEEL, HEAT TREATED
 SEAL(S) - SYNTHETIC

CUSTOMER PART#	XX = ± .01 XXX = ± .005 XXXX = ± .0005 ANGLES = ± 1' INCH [METRIC] FRACTION = ± 1/32
ENGINEERING CHANGE ORDER NOTE	

CARTER MANUFACTURING IS NOT RESPONSIBLE FOR TYPOGRAPHICAL ERRORS	
REVISION	
B	AUTHOR BY HG
REVISION BY SGW	DATE 5/5/2017

CARTER MANUFACTURING CO., INC. GRAND HAVEN, MICHIGAN 49417				PART NAME: ASSEMBLY		PRODUCT TYPE: SY	
DRAWN BY JAF	CHK'D BY MD	SALES KR	MATERIAL NOTED	DATE 8/7/2006	DATE 5/4/2017	DATE 5/5/2017	SHEET 1 OF 2