

NOTES:

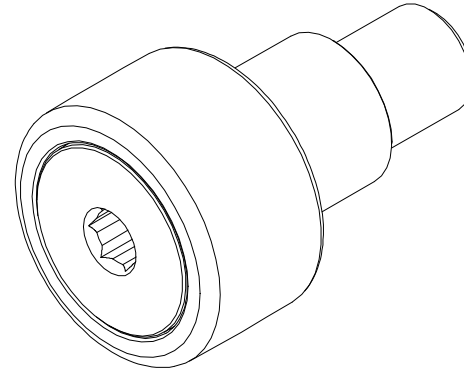
1. BUSHING IS IMPREGNATED WITH OIL
2. ALL EXPOSED SURFACES HAVE BLACK OXIDE

MS NO.

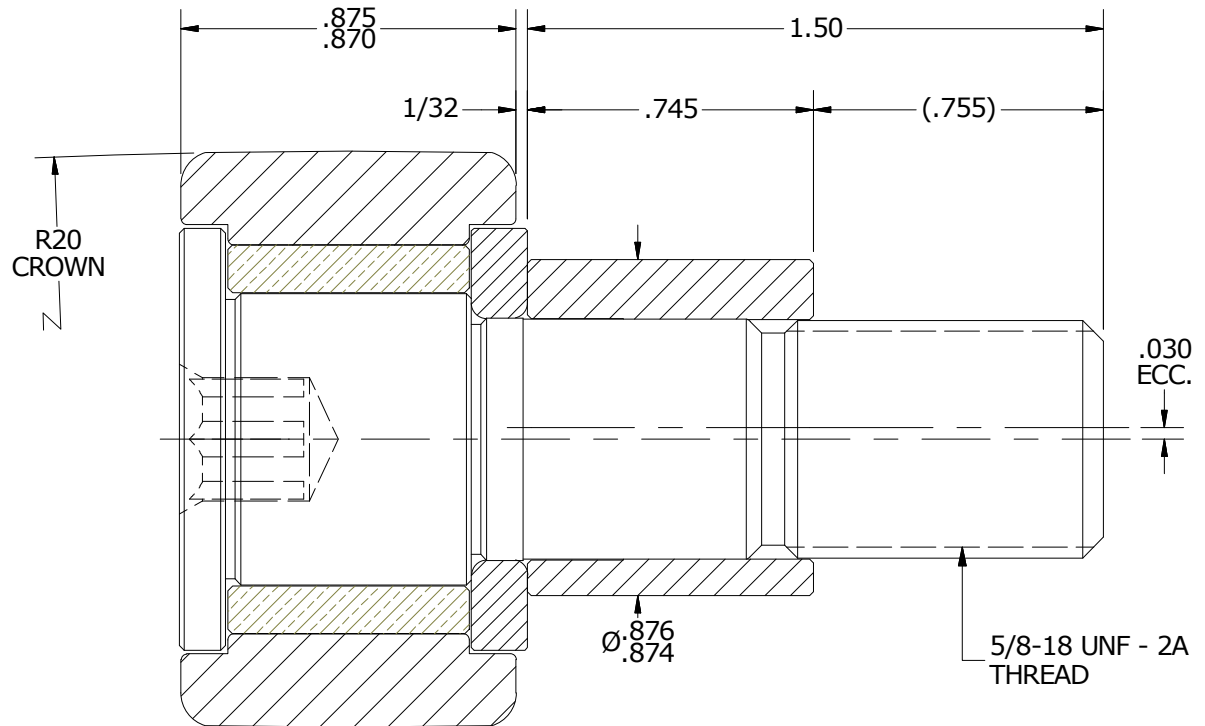
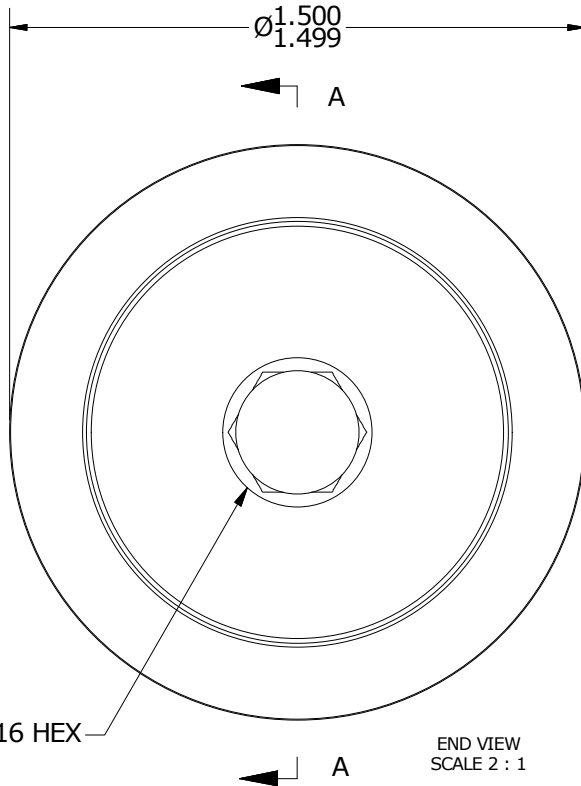
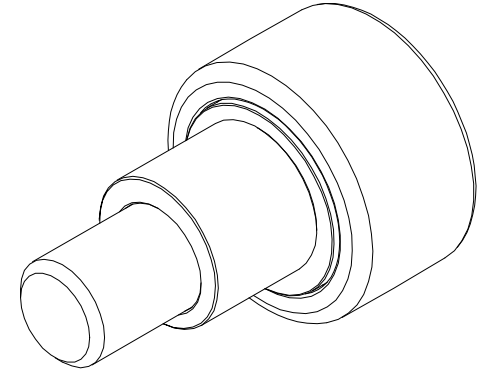
NSN NO.

DRAWING NO.

CSFHE-48-A



ISO VIEWS
SCALE 1 : 1



MATERIAL NOTES:

- OUTER RING - BEARING STEEL, HEAT TREATED
- STUD - COLD ROLLED STEEL
- WASHER - BEARING STEEL, HEAT TREATED*
- BUSHING - SINTERED BRONZE
- ECCENTRIC SLEEVE - COLD ROLLED STEEL

*(DEPENDING ON MATERIAL AVAILABILITY MAY BE CONSTRUCTED FROM COLD ROLLED STEEL)

CUSTOMER PART#

XX = ± .01
XXX = ± .005
XXXX = ± .0005
ANGLES = ± 1'
INCH [METRIC]
FRACTION = ± 1/32

CARTER MANUFACTURING IS NOT RESPONSIBLE FOR TYPOGRAPHICAL ERRORS

CARTER MANUFACTURING CO., INC.

GRAND HAVEN, MICHIGAN 49417

ENGINEERING CHANGE ORDER NOTE

REVISION

PART NAME: ASSEMBLY

A

AUTHOR BY
HG

DRAWN BY
SGW

CHK'D BY
MD

SALES
KR

MATERIAL
NOTED

REVISION BY
SGW

DATE
11/10/2016

DATE
11/8/2016

DATE
11/9/2016

DATE
11/11/2016

SHEET
1 OF 2