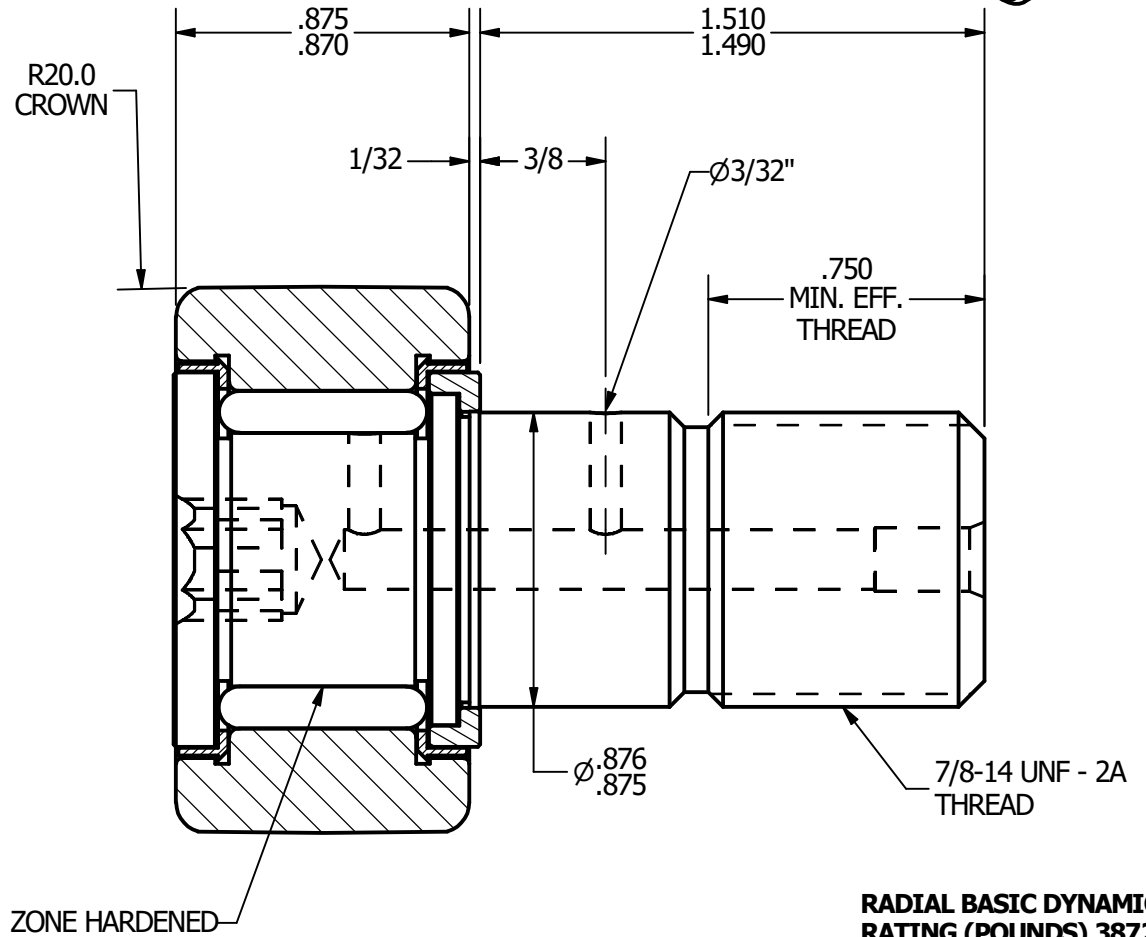
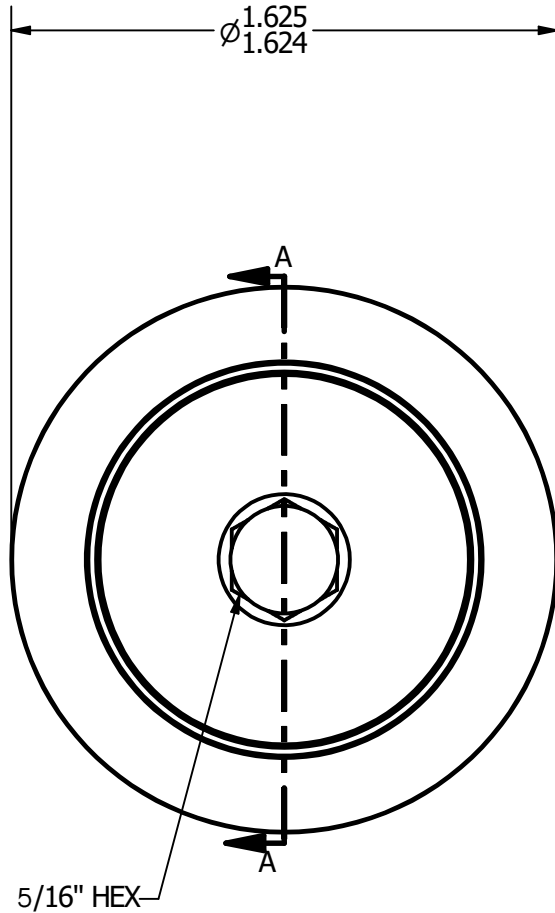
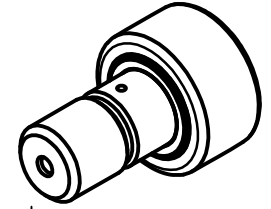


NOTES:
1. BEARING IS PACKED WITH LUBRIPLATE SFL-2 GREASE



RADIAL BASIC DYNAMIC RATING (POUNDS) 3872

MAXIMUM STATIC CAPACITY (POUNDS) 7896

MATERIAL NOTES:

OUTER - 440C STAINLESS STEEL, HEAT TREATED
STUD - 440C STAINLESS STEEL, ZONE HARDENED
ROLLER - 440C STAINLESS STEEL, HEAT TREATED
WASHER - 440C STAINLESS STEEL, HEAT TREATED
SEAL - SYNTHETIC

CUSTOMER PART#

.XX = ± .01
 .XXX = ± .005
 .XXXX = ± .0005
 ANGLES = ± 1'
 INCH [METRIC]

CARTER MANUFACTURING IS NOT RESPONSIBLE FOR TYPOGRAPHICAL ERRORS

CARTER MANUFACTURING CO., INC.

GRAND HAVEN, MICHIGAN 49417

REVISION

PART NAME: Assembly

SHEET 1 OF 2

CHANGE NOTE:

A

AUTHOR. BY

DRAWN BY

CHK'D BY

SALES

MATERIAL

JGV

JAF

JGV

KPR

NOTED

REV. BY

DATE

DATE

DATE

DATE

DRAWING NO.

JAF

7/25/2006

7/25/2006

7/25/2006

7/24/2006

CSCH-52-SB