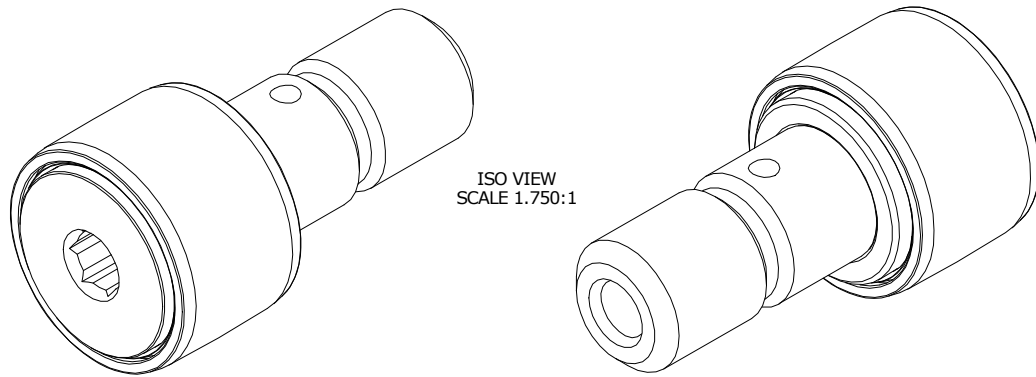


LOAD RATINGS		
RATING	Lbs	Newtons
RADIAL BASIC DYNAMIC	1,328	5,907
MAXIMUM STATIC CAPACITY	2,891	12,860

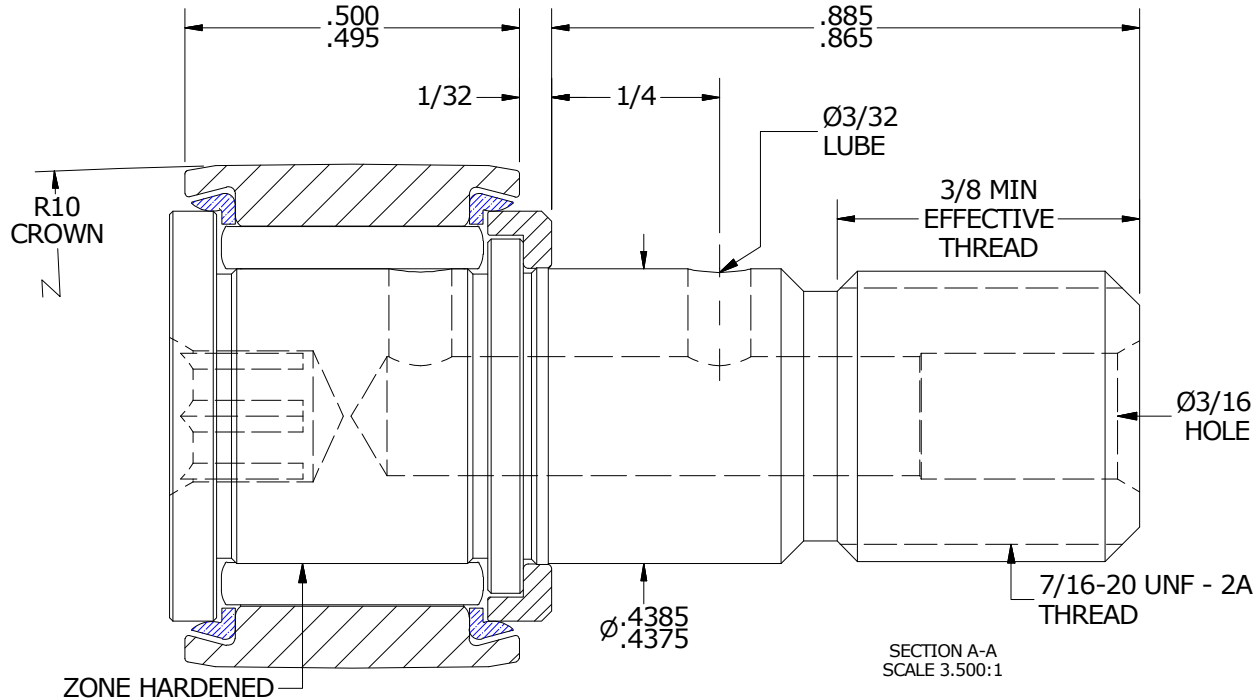
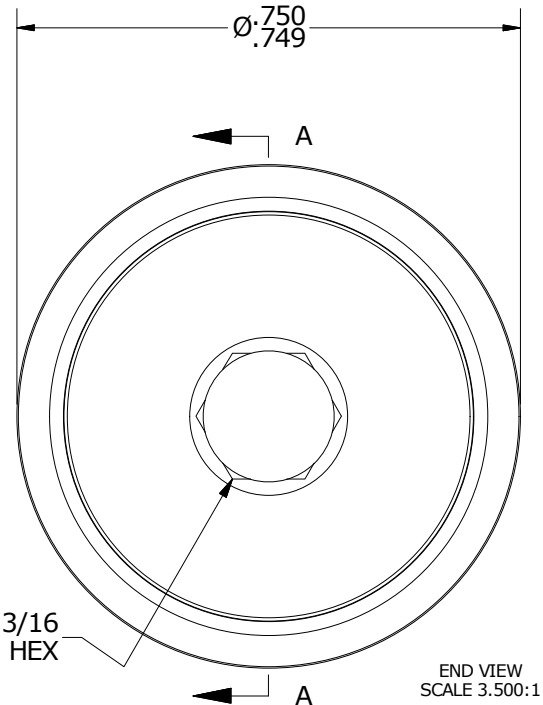
MS NO. \_\_\_\_\_ NSN NO. \_\_\_\_\_ DRAWING NO. CSCH-24-SB

RECOMMENDED MOUNTING HOLE Ø		
Limit	Inch	mm
MIN	.4375	11.125
MAX	.4380	11.1252

- NOTES:  
 1. BEARING IS PACKED WITH NLGI GRADE 2, H1, FOOD GREASE (UNLESS OTHERWISE SPECIFIED)  
 2. LIMITING SPEED:  
 A. GREASE = 6,400 RPM



MAXIMUM CLAMPING TORQUE		
Thread Type	Inch Lbs	Nm
DRY	250	28.2
LUBRICATED	125	14.1



MATERIAL NOTES:  
 OUTER RING - 440C STAINLESS STEEL, HEAT TREATED  
 STUD - 440C STAINLESS STEEL, ZONE HARDENED  
 NEEDLE ROLLER(S) - 440C STAINLESS STEEL, HEAT TREATED  
 WASHER - 440C STAINLESS STEEL, HEAT TREATED  
 SEAL(S) - SYNTHETIC

CUSTOMER PART#	XX = ± .01 XXX = ± .005 XXXX = ± .0005 ANGLES = ± 1' INCH [METRIC] FRACTION = ± 1/32
ENGINEERING CHANGE ORDER NOTE	

CARTER MANUFACTURING IS NOT RESPONSIBLE FOR TYPOGRAPHICAL ERRORS	
REVISION	
<b>B</b>	AUTHOR BY HG
REVISION BY SGW	DATE 5/5/2017

<b>CARTER MANUFACTURING CO., INC.</b> GRAND HAVEN, MICHIGAN 49417					
PART NAME: ASSEMBLY					
DRAWN BY JAF	CHK'D BY MD	SALES KR	MATERIAL NOTED		
DATE 7/25/2006	DATE 5/4/2017	DATE 5/5/2017	SHEET 1 OF 2		