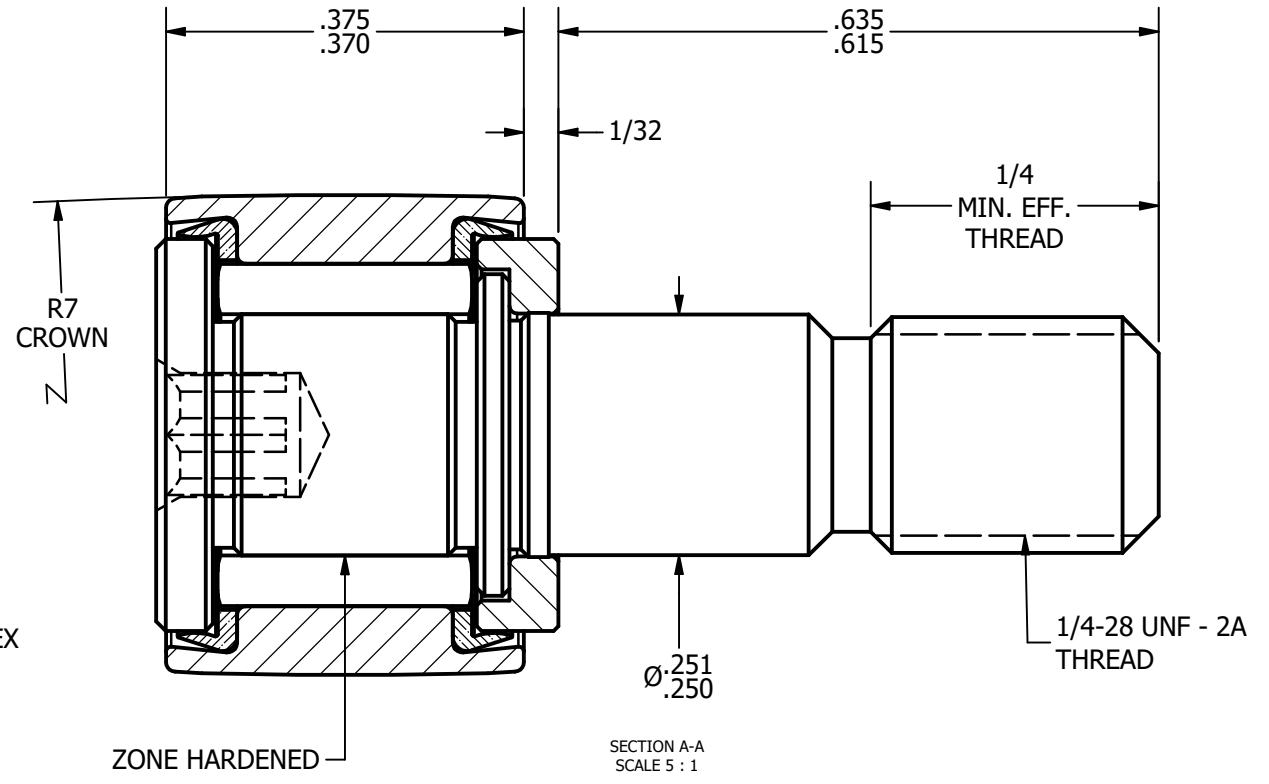
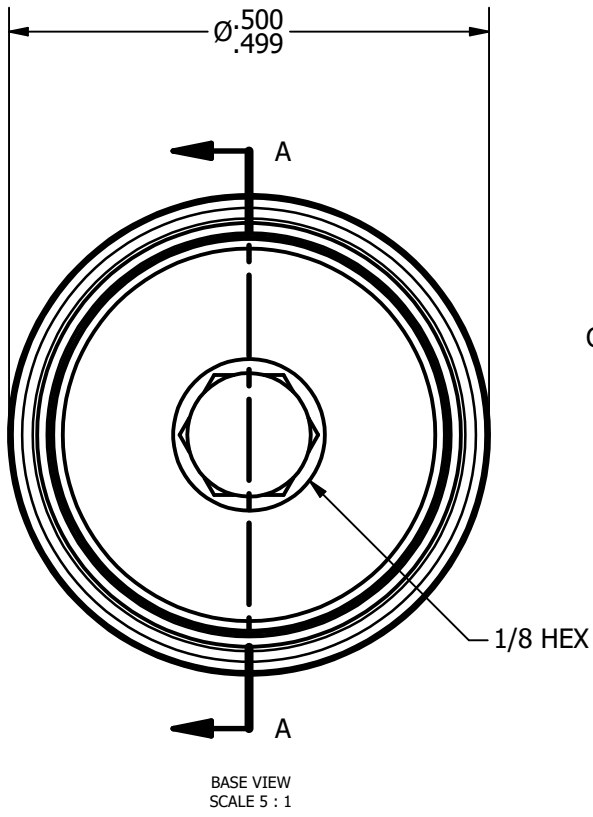
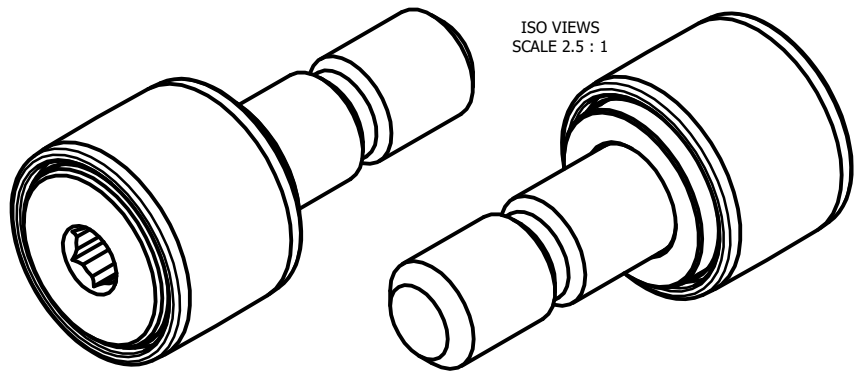


A B C D E F G H I J

LOAD RATINGS	
RATING	Lbs
RADIAL BASIC DYNAMIC [C]	610
MAXIMUM STATIC CAPACITY [Co]	1264

NOTES:  
 1. BEARING COMES PACKED WITH CARTER STANDARD H1 FOOD GRADE GREASE

M/S NO. \_\_\_\_\_ V/S/N NO. \_\_\_\_\_ DRAWING NO. **CSCH-16-SB**



**MATERIAL NOTES:**  
 OUTER RACE - 440C STAINLESS STEEL, HEAT TREATED  
 STUD - 440C STAINLESS STEEL, ZONE HARDENED  
 NEEDLE ROLLERS - 440C STAINLESS STEEL, HEAT TREATED  
 WASHER - 440C STAINLESS STEEL, HEAT TREATED  
 SEALS - SYNTHETIC

CUSTOMER PART#	.XX = ± .01 .XXX = ± .005 .XXXX = ± .0005 ANGLES = ± 1' INCH [METRIC] FRACTION = ± 1/32
CHANGE NOTE:	

CARTER MANUFACTURING IS NOT RESPONSIBLE FOR TYPOGRAPHICAL ERRORS	
REVISION	
<b>C</b>	<b>AUTHOR. BY</b>
DB	GJP
<b>REV. BY</b>	<b>DATE</b>
MD	9/21/2011

<b>CARTER MANUFACTURING CO., INC.</b>					
GRAND HAVEN, MICHIGAN 49417					
PART NAME: <b>ASSEMBLY</b>			SHEET 1 OF 2		
<b>SALES</b>	<b>MATERIAL</b>	<b>CHK'D BY</b>	<b>DRAWN BY</b>	<b>AUTHOR. BY</b>	<b>DATE</b>
KPR	NOTED	SGW	GJP	DB	9/21/2011
DATE	DRAWING NO.	DATE	DATE	DATE	DATE
9/10/2000	<b>CSCH-16-SB</b>	9/21/2011	9/11/2000	9/21/2011	9/21/2011

A B C D E F G H I J