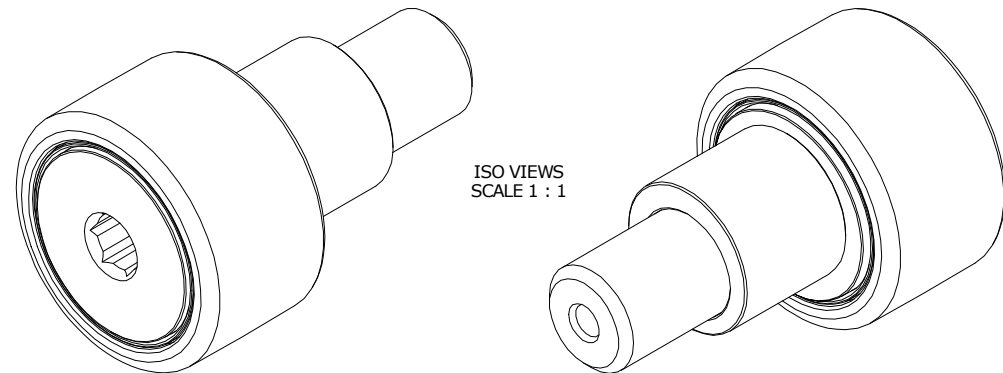
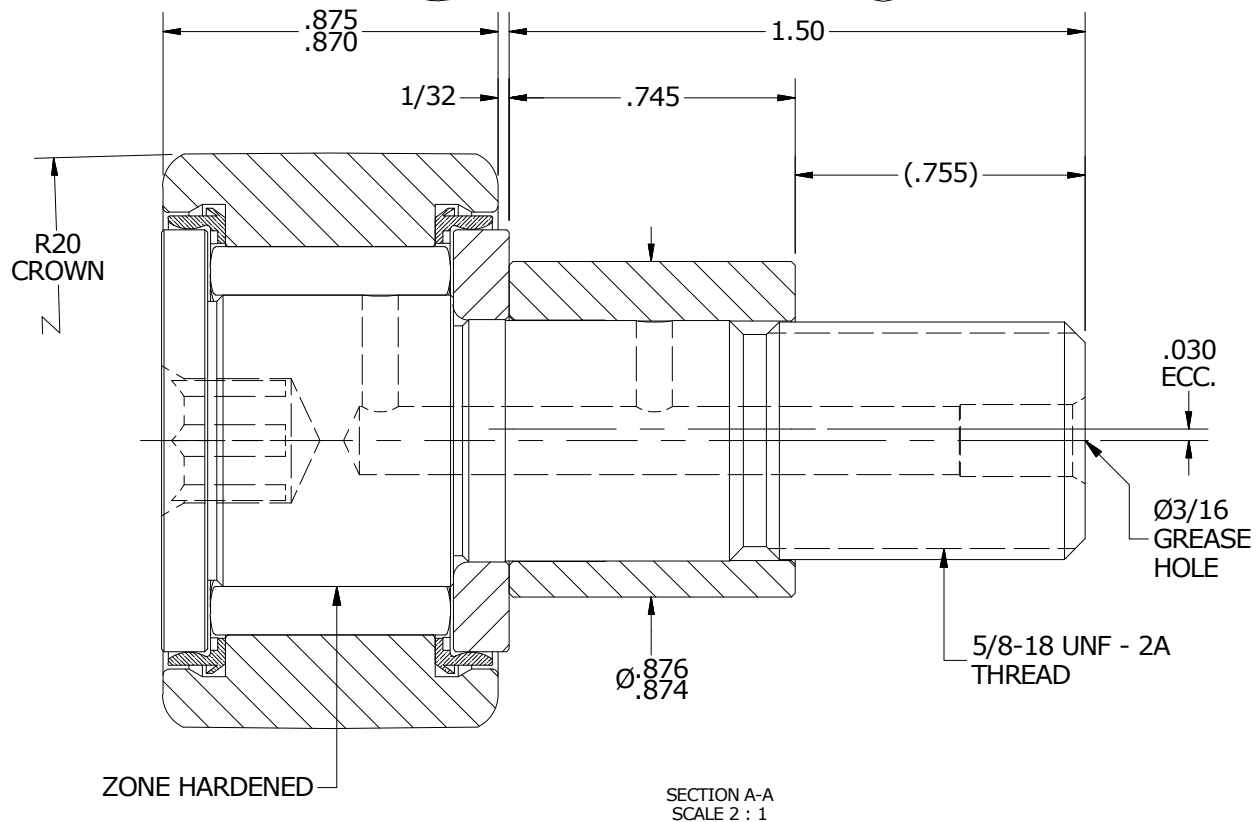
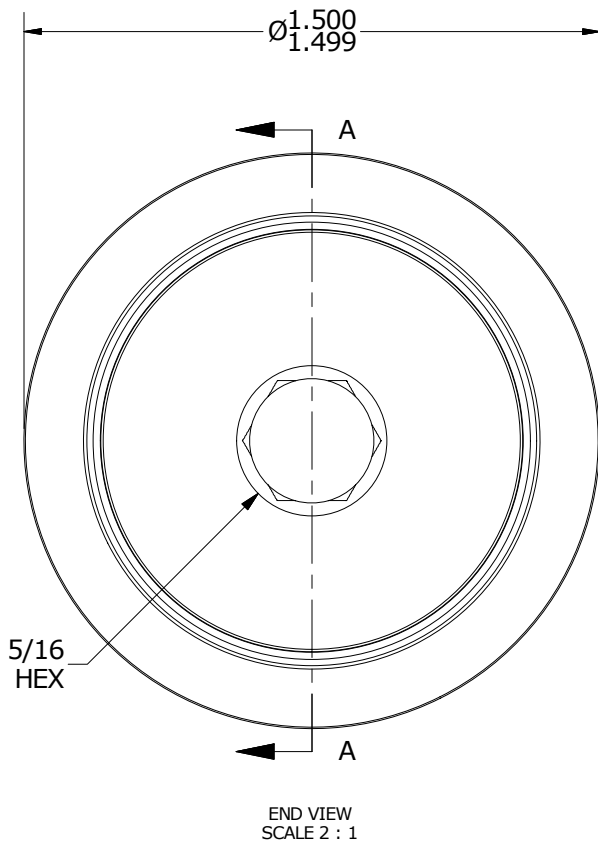


LOAD RATINGS	
RATING	Lbs
RADIAL BASIC DYNAMIC	4,350
MAXIMUM STATIC CAPACITY	4,000

NOTES:  
 1. BEARING IS PACKED WITH NLGI GRADE 2, H1, FOOD GREASE (UNLESS OTHERWISE SPECIFIED)



ISO VIEWS  
SCALE 1 : 1



MATERIAL NOTES:

OUTER RACE - 440C STAINLESS STEEL, HEAT TREATED  
 STUD - 440C STAINLESS STEEL, ZONE HARDENED  
 NEEDLE ROLLERS - 440C STAINLESS STEEL, HEAT TREATED  
 WASHER - 440C STAINLESS STEEL, HEAT TREATED  
 ECCENTRIC SLEEVE - 300 SERIES STAINLESS STEEL  
 SEALS - SYNTHETIC

CUSTOMER PART#

XX = ± .01  
 XXX = ± .005  
 XXXX = ± .0005  
 ANGLES = ± 1'  
 INCH [METRIC]  
 FRACTION = ± 1/32

CARTER MANUFACTURING IS NOT RESPONSIBLE FOR TYPOGRAPHICAL ERRORS

**CARTER MANUFACTURING CO., INC.**

GRAND HAVEN, MICHIGAN 49417

ENGINEERING CHANGE ORDER NOTE

REVISION

PART NAME: ASSEMBLY

**B**

AUTHOR BY  
HG

DRAWN BY  
JAF

CHK'D BY  
SGW

SALES  
KPR

MATERIAL  
NOTED

REVISION BY  
MD

DATE  
2/12/2018

DATE  
7/25/2006

DATE  
2/12/2018

DATE  
7/23/2006

SHEET  
1 OF 2