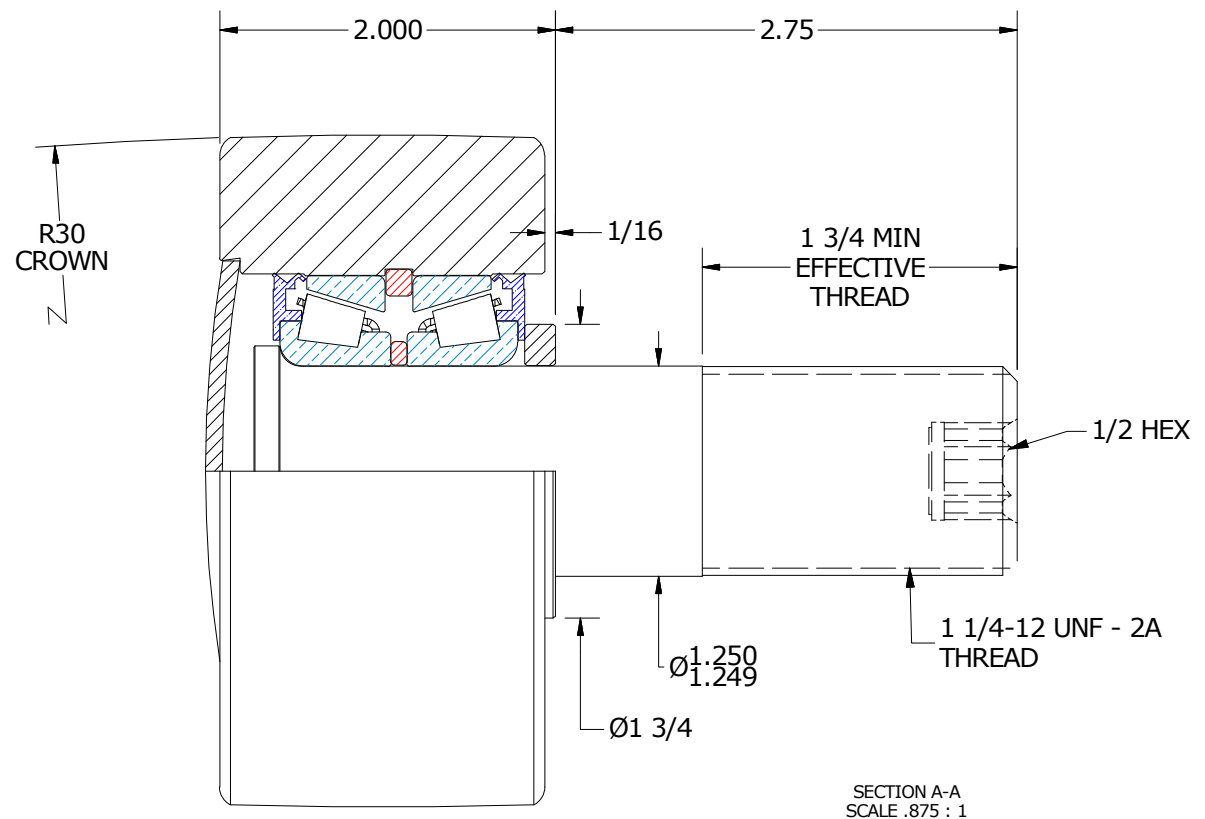
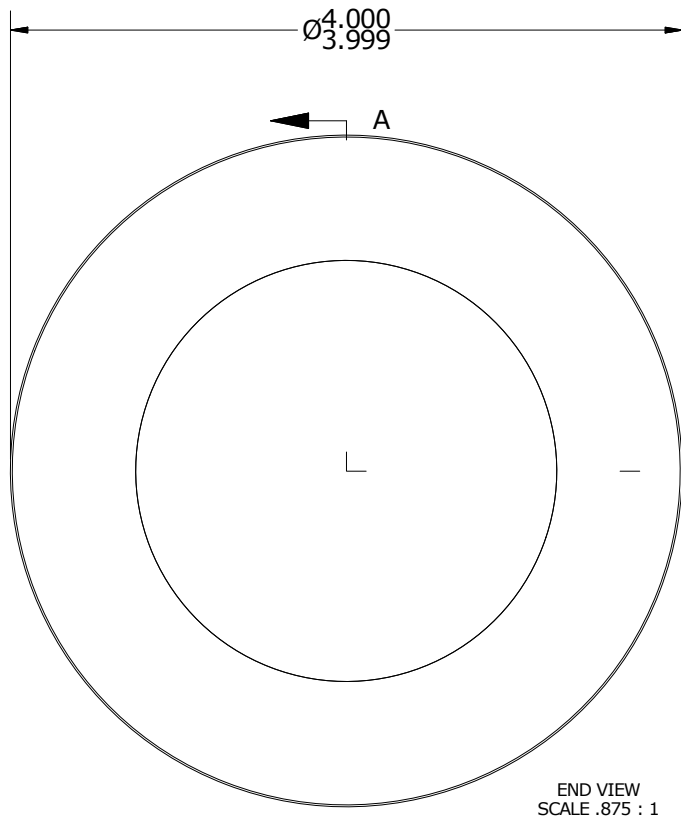
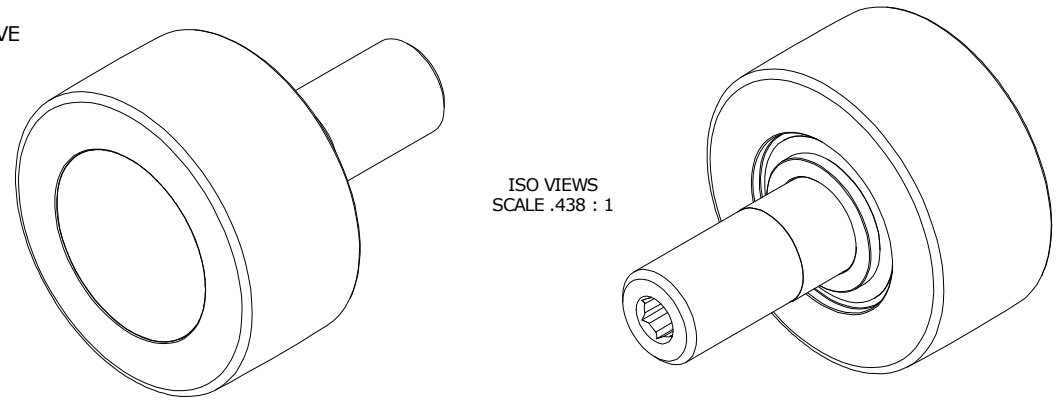


LOAD RATINGS	
RATING	Lbs
RADIAL BASIC DYNAMIC	14,200
DYNAMIC THRUST LOAD	13,000
MAXIMUM STATIC CAPACITY	26,000

NOTES:

1. BEARING IS PACKED WITH NLGI GRADE 2, LITHIUM BASED GREASE
2. STUD, END CAP, & WASHER: ALL EXPOSED SURFACES HAVE BLACK OXIDE

MS NO.	NSN NO.	DRAWING NO.	CPHR-400-A
--------	---------	-------------	------------



MATERIAL NOTES:

OUTER ROLLER - BEARING STEEL, HEAT TREATED
 STUD - COLD ROLLED STEEL
 BEARING ASSY - LM67000LA-902A2
 WASHER - COLD ROLLED STEEL
 END CAP - COLD ROLLED STEEL

CUSTOMER PART#

XX = ± .01
 XXX = ± .005
 XXXX = ± .0005
 ANGLES = ± 1'
 INCH [METRIC]
 FRACTION = ± 1/32

CARTER MANUFACTURING IS NOT RESPONSIBLE FOR TYPOGRAPHICAL ERRORS

CARTER MANUFACTURING CO., INC.

GRAND HAVEN, MICHIGAN 49417

REVISION

PART NAME: ASSEMBLY

ENGINEERING CHANGE ORDER NOTE

A	AUTHOR BY	DRAWN BY	CHK'D BY	SALES	MATERIAL
	DB	SGW	MD	KR	NOTED
	REVISION BY	DATE	DATE	DATE	SHEET
SGW	12/6/2010	12/6/2010	12/6/2010	12/6/2010	1 OF 2