

NOTES:

1. BUSHING IS IMPREGNATED WITH OIL
2. ALL EXPOSED STEEL SURFACES HAVE BLACK OXIDE

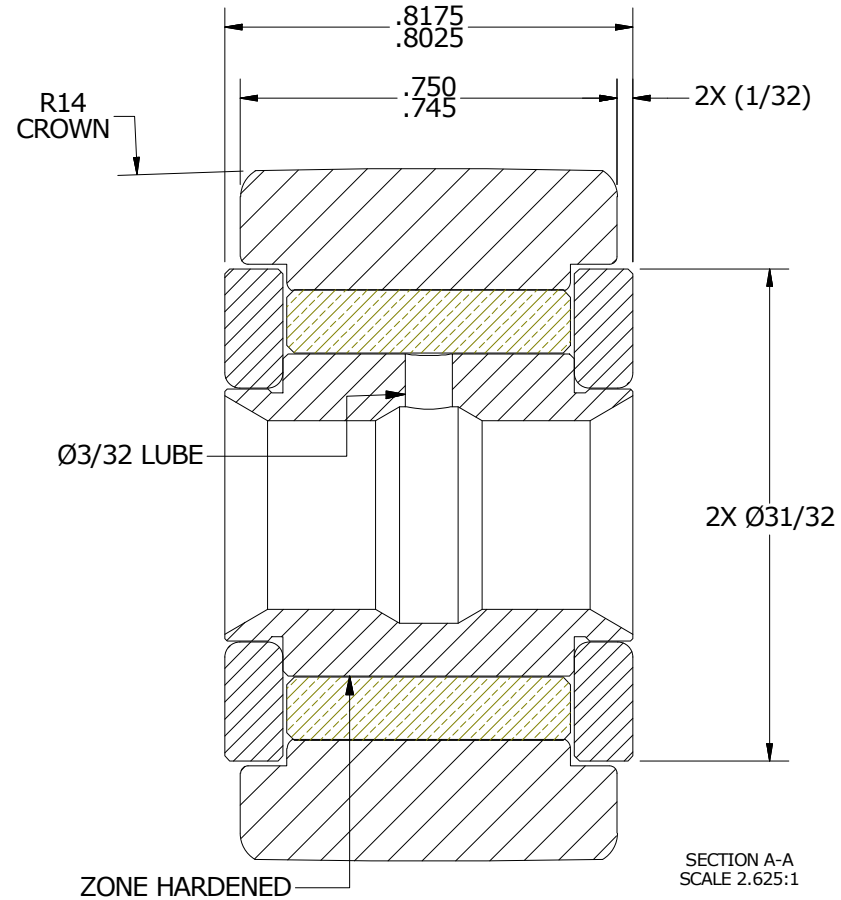
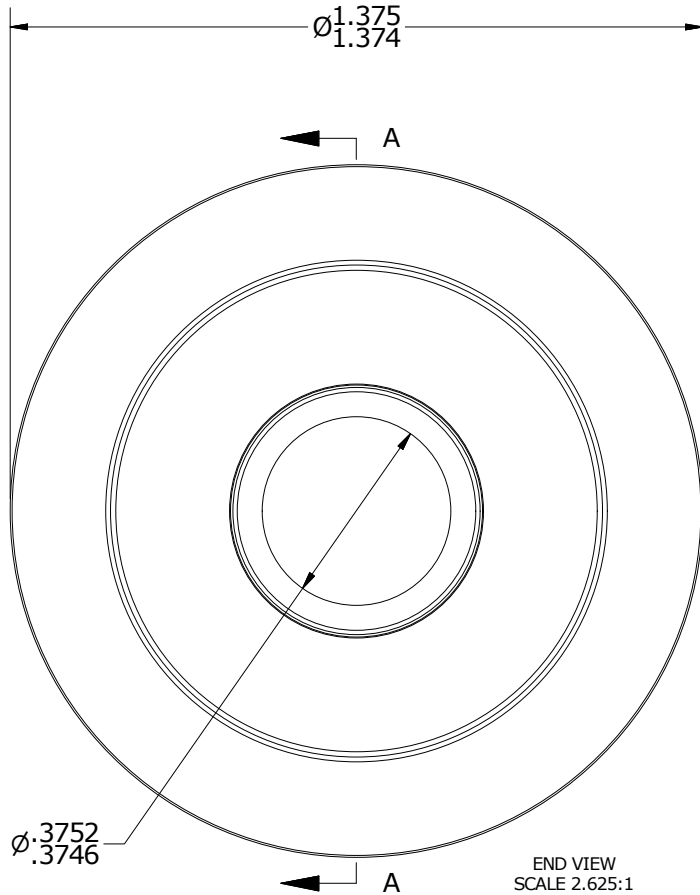
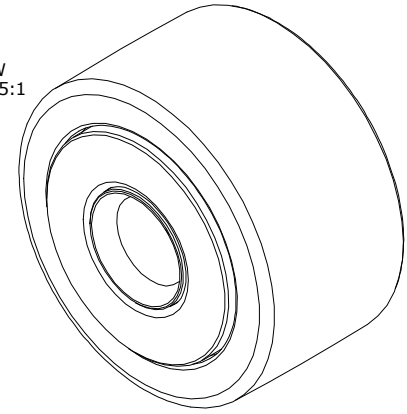
MS NO.

NSN NO.

DRAWING NO.

CNYR-44

ISO VIEW  
SCALE 1.375:1



MATERIAL NOTES: OUTER RING - BEARING STEEL, HEAT TREATED  
INNER RING - BEARING STEEL, ZONE HARDENED  
BUSHING - SINTERED BRONZE  
WASHER(S) - BEARING STEEL, HEAT TREATED

CUSTOMER PART#

XX = ± .01  
XXX = ± .005  
XXXX = ± .0005  
ANGLES = ± 1'  
INCH [METRIC]  
FRACTION = ± 1/32

CARTER MANUFACTURING IS NOT RESPONSIBLE FOR TYPOGRAPHICAL ERRORS

**CARTER MANUFACTURING CO., INC.**  
GRAND HAVEN, MICHIGAN 49417

ENGINEERING CHANGE ORDER NOTE

REVISION

PART NAME: ASSEMBLY

A

AUTHOR BY  
HG

DRAWN BY  
SGW

CHK'D BY  
MD

SALES  
KR

MATERIAL  
NOTED

REVISION BY  
SGW

DATE  
2/23/2017

DATE  
2/15/2017

DATE  
2/16/2017

DATE  
2/23/2017

SHEET  
1 OF 2