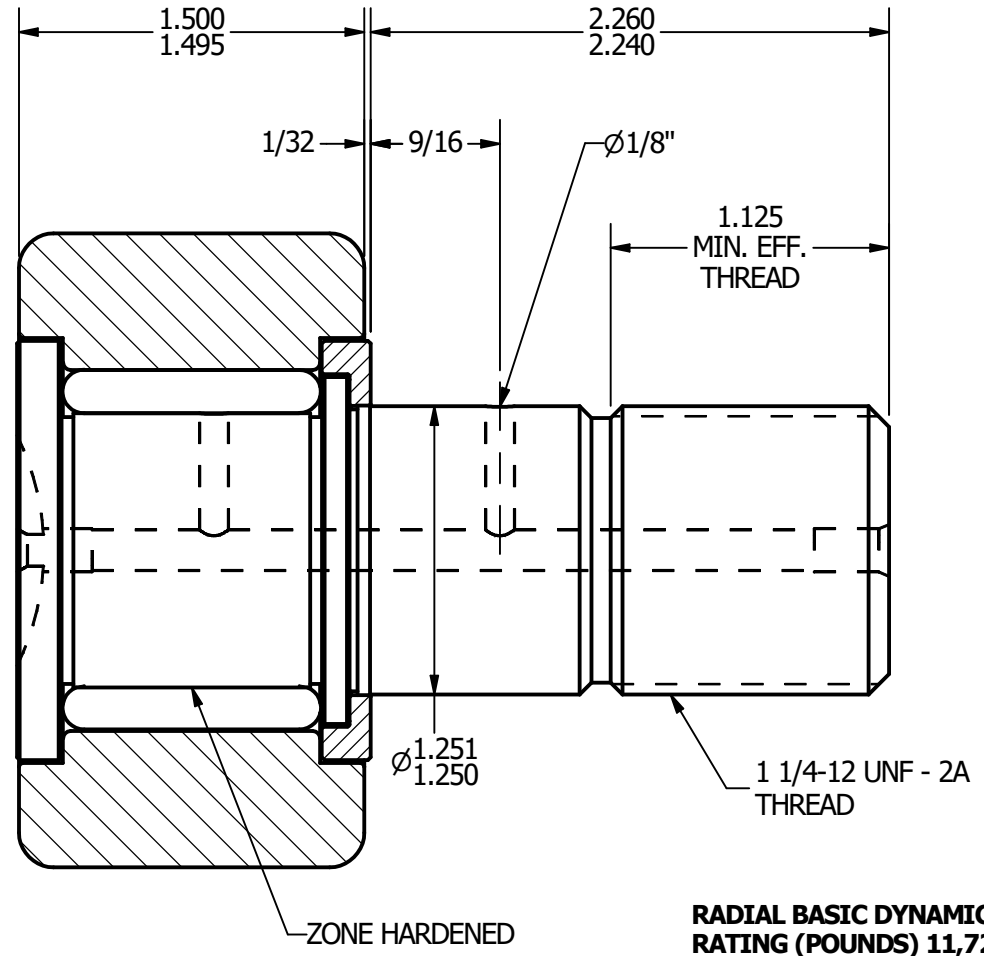
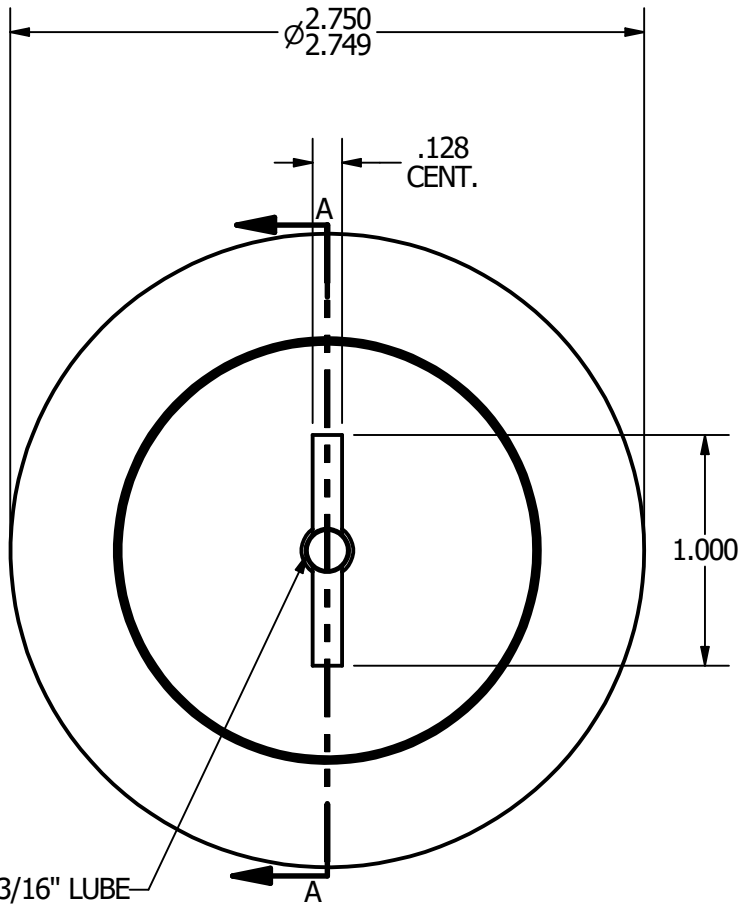
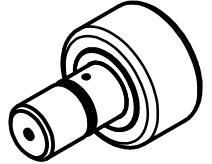


NOTES:
 1. BEARING IS PACKED WITH GREASE
 2. ALL EXPOSED SURFACES ARE BLACK OXIDED



RADIAL BASIC DYNAMIC RATING (POUNDS) 11,720
MAXIMUM STATIC CAPACITY (POUNDS) 32,900

MATERIAL NOTES:

OUTER - BEARING STEEL, HEAT TREATED
STUD - BEARING STEEL, ZONE HARDENED
ROLLER - BEARING STEEL, HEAT TREATED
WASHER - COLD ROLLED STEEL, HEAT TREATED

CUSTOMER PART#	.XX = ± .01 .XXX = ± .005 .XXXX = ± .0005 ANGLES = ± 1' INCH [METRIC]
CHANGE NOTE:	

CARTER MANUFACTURING IS NOT RESPONSIBLE FOR TYPOGRAPHICAL ERRORS

REVISION	
A	AUTHOR. BY
	DATE
EMD	7/11/2006

CARTER MANUFACTURING CO., INC.
 GRAND HAVEN, MICHIGAN 49417

PART NAME: Assembly			SHEET 1 OF 2		
REVISION	DRAWN BY	CHK'D BY	SALES	MATERIAL	DRAWING NO.
	JGV	JGV	KPR	NOTED	
	EMD	JGV	KPR	NOTED	
	7/11/2006	7/11/2006	7/11/2006	7/11/2006	CNBH-88