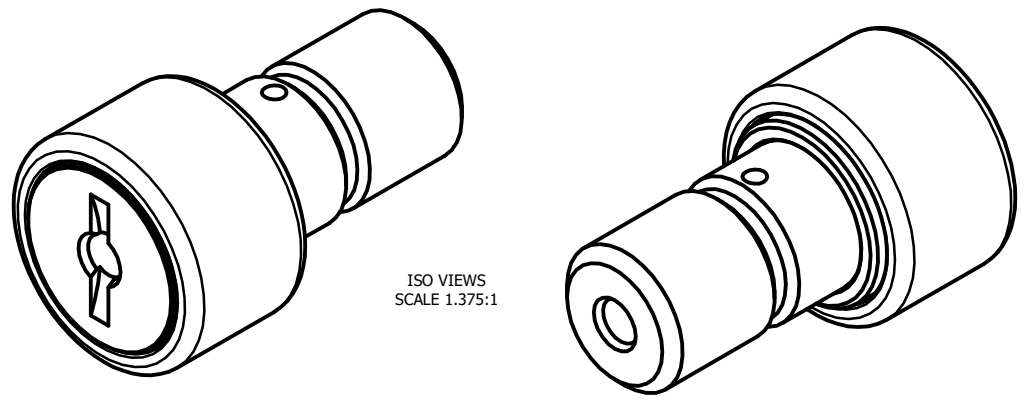
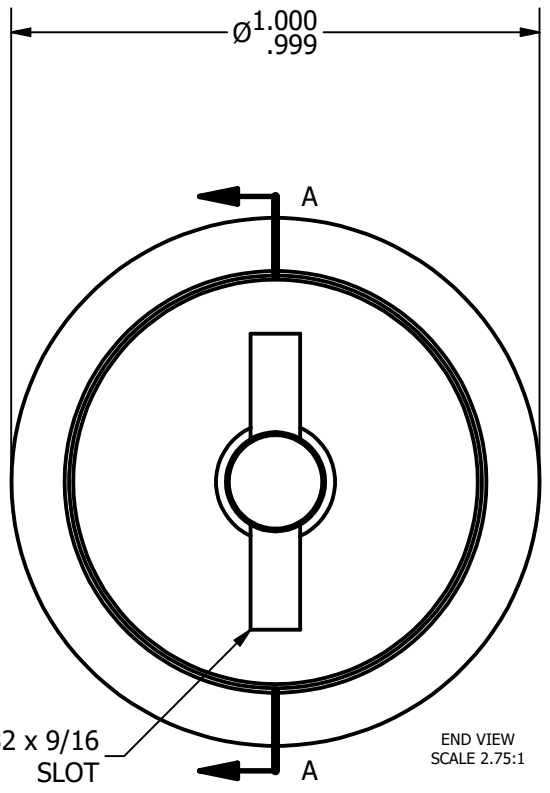


LOAD RATINGS	
RATING	Lbs
RADIAL BASIC DYNAMIC	2,225
MAXIMUM STATIC CAPACITY	6,120

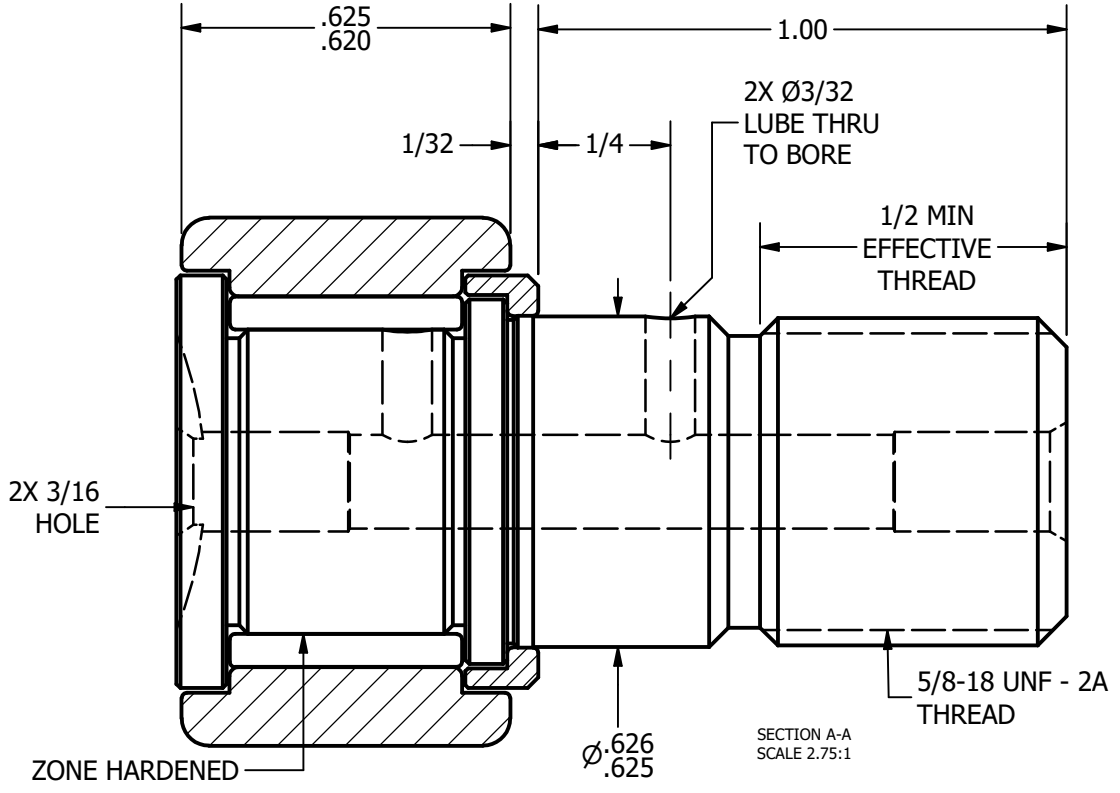
NOTES:  
 1. BEARING IS PACKED WITH LITHIUM BASED #2 WEIGHT GREASE  
 2. ALL EXPOSED SURFACES HAVE BLACK OXIDE



ISO VIEWS  
 SCALE 1.375:1



END VIEW  
 SCALE 2.75:1



SECTION A-A  
 SCALE 2.75:1

**MATERIAL NOTES:**  
 OUTER RACE - BEARING STEEL, HEAT TREATED  
 STUD - BEARING STEEL, ZONE HARDENED  
 NEEDLE ROLLER - BEARING STEEL, HEAT TREATED  
 WASHER - COLD ROLLED STEEL, HEAT TREATED

CUSTOMER PART#	.XX = ± .01 .XXX = ± .005 .XXXX = ± .0005 ANGLES = ± 1° INCH [METRIC] FRACTION = ± 1/32
CHANGE NOTE:	

CARTER MANUFACTURING IS NOT RESPONSIBLE FOR TYPOGRAPHICAL ERRORS

REVISION	
<b>B</b>	<b>AUTHOR. BY</b> DB
<b>REV. BY</b> SGW	<b>DATE</b> 5/6/2013

<b>CARTER MANUFACTURING CO., INC.</b>					
GRAND HAVEN, MICHIGAN 49417					
PART NAME: ASSEMBLY			SHEET 1 OF 2		
<b>REV. BY</b>	<b>DATE</b>	<b>DRAWN BY</b>	<b>CHK'D BY</b>	<b>SALES</b>	<b>MATERIAL</b>
SGW	5/6/2013	GJP	MD	KR	NOTED
					DRAWING NO.
					CNBH-32