

LOAD RATINGS

RATING	lbf	Newtons
RADIAL BASIC DYNAMIC	1,660	7,384
MAXIMUM STATIC CAPACITY	4,130	18,371

NOTES:

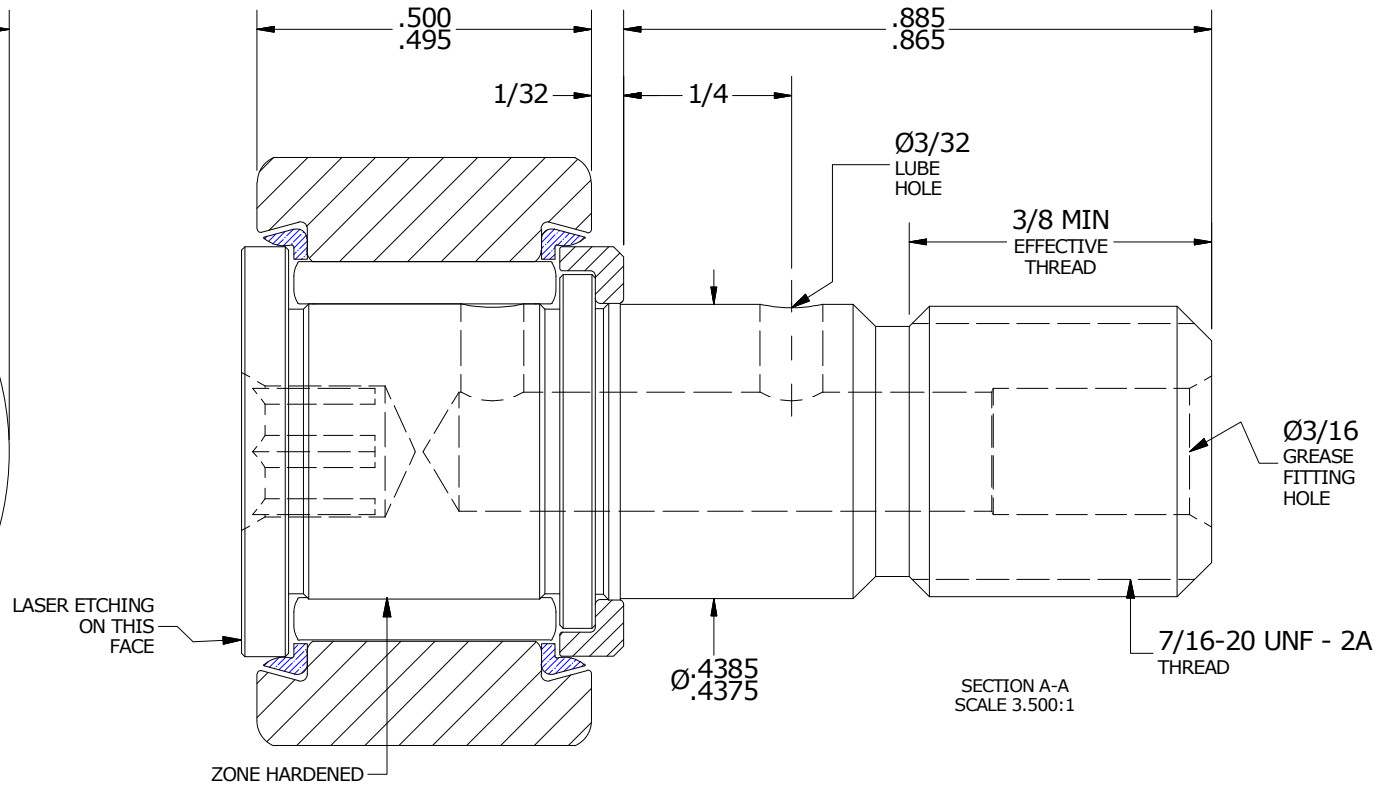
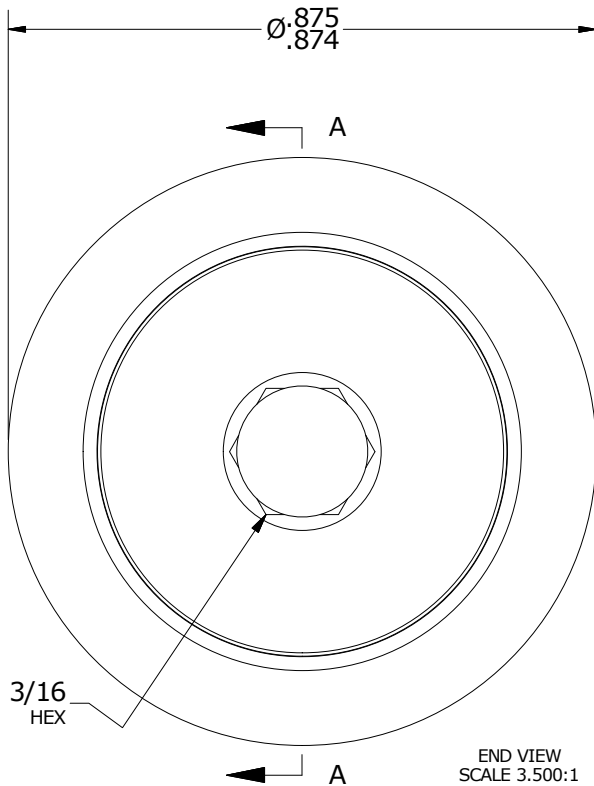
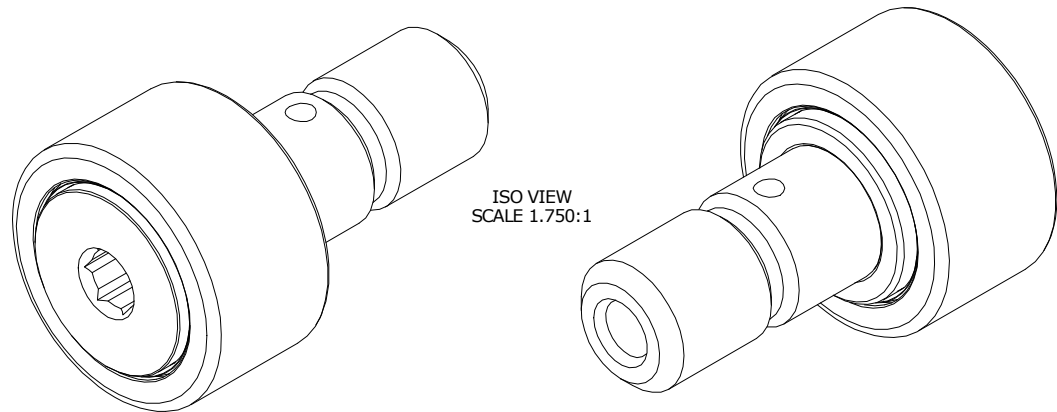
1. BEARING IS PACKED WITH NLGI GRADE 2, LITHIUM BASED GREASE (UNLESS OTHERWISE SPECIFIED)
2. ALL EXPOSED STEEL SURFACES HAVE BLACK OXIDE
3. CUSTOM LASER ETCHING UPON REQUEST
4. LIMITING SPEED:
 - A. GREASE = 5,400 RPM

RECOMMENDED MOUNTING HOLE Ø

Limit	Inch	mm
MIN	.4375	11.1125
MAX	.4380	11.1252

MAXIMUM CLAMPING TORQUE

Thread Type	Inch Lbs	Nm
DRY	250	28.2
LUBRICATED	125	14.1



MATERIAL NOTES:

- OUTER RING - BEARING STEEL, HEAT TREATED
- STUD - BEARING STEEL, ZONE HARDENED
- NEEDLE ROLLER(S) - BEARING STEEL, HEAT TREATED
- WASHER - BEARING STEEL, HEAT TREATED
- SEAL(S) - SYNTHETIC

CUSTOMER PART#

XX = ± .01
 XXX = ± .005
 XXXX = ± .0005
 ANGLES = ± 1'
 INCH [METRIC]
 FRACTION = ± 1/32

CARTER MANUFACTURING IS NOT RESPONSIBLE FOR TYPOGRAPHICAL ERRORS

CARTER MANUFACTURING CO., INC.

GRAND HAVEN, MICHIGAN 49417

ENGINEERING CHANGE ORDER NOTE

REVISION

PART NAME: ASSEMBLY

PRODUCT TYPE: CNB

B

AUTHOR BY
HG

DRAWN BY
GJP

CHK'D BY
MD

SALES
KR

MATERIAL
NOTED

REVISION BY
SGW

DATE
5/1/2017

DATE
11/15/1999

DATE
5/1/2017

DATE
5/5/2017

SHEET
1 OF 2