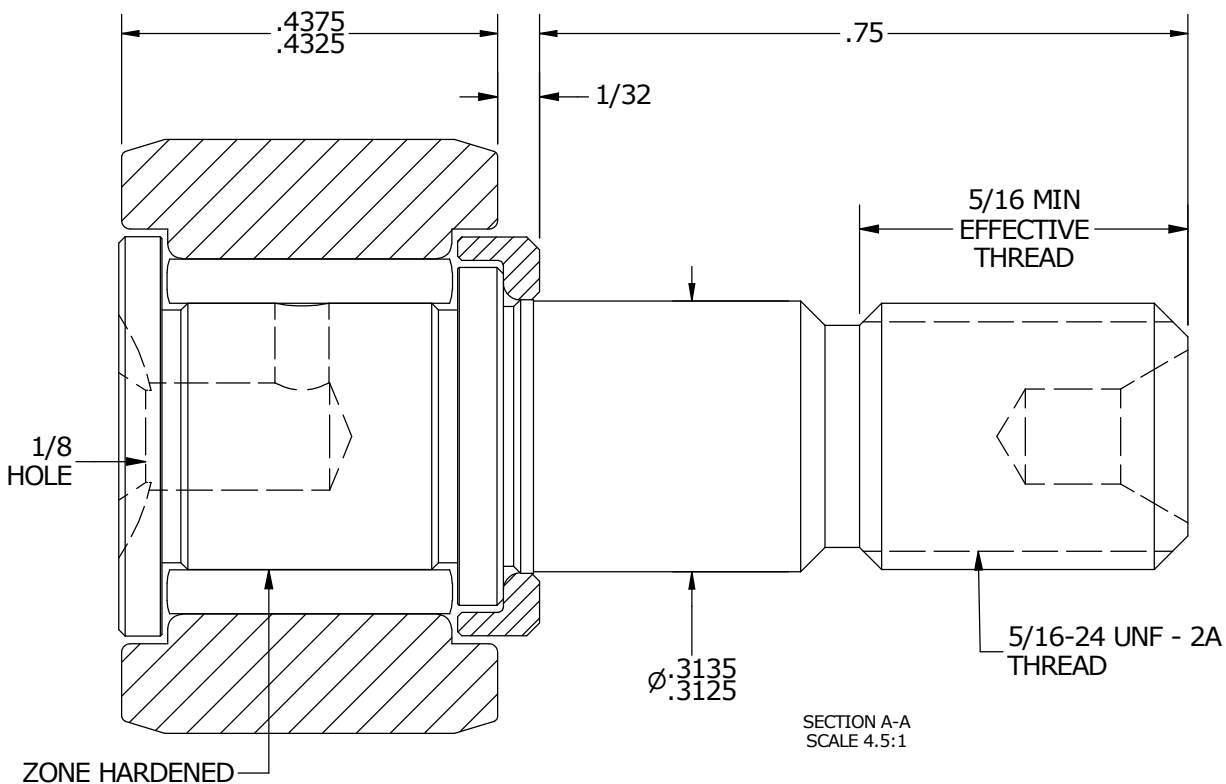
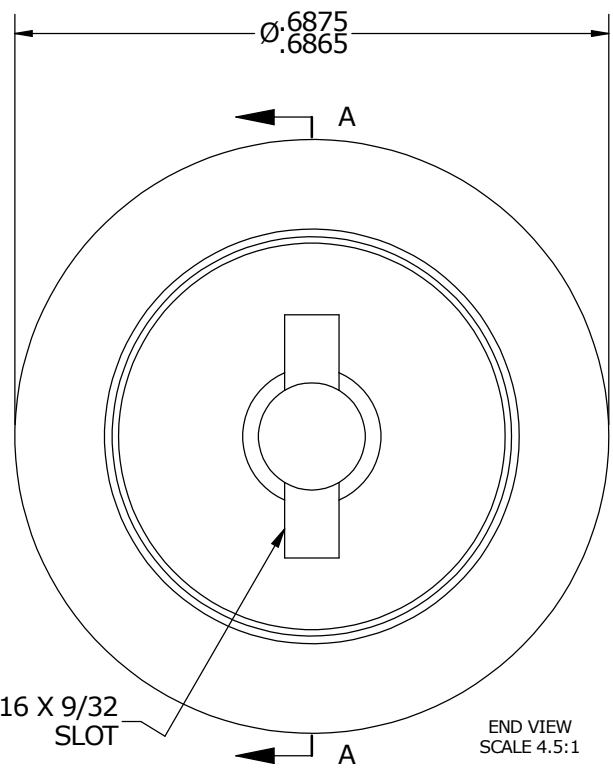
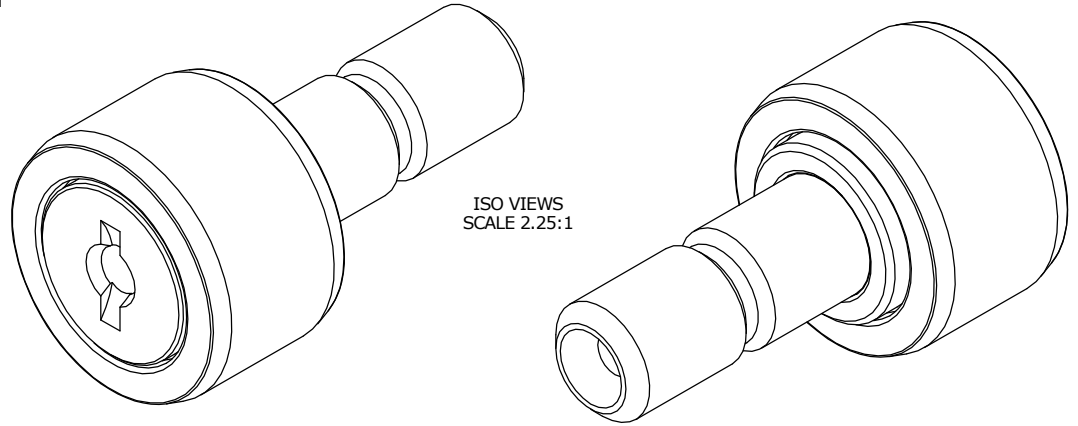


| LOAD RATINGS | |
|-------------------------|-------|
| RATING | Lbs |
| RADIAL BASIC DYNAMIC | 955 |
| MAXIMUM STATIC CAPACITY | 2,480 |

NOTES:
 1. BEARING IS PACKED WITH NLGI GRADE 2, LITHIUM BASED GREASE
 2. ALL EXPOSED SURFACES HAVE BLACK OXIDE



MATERIAL NOTES:
 OUTER RACE - BEARING STEEL, HEAT TREATED
 STUD - BEARING STEEL, ZONE HARDENED
 NEEDLE ROLLER - BEARING STEEL, HEAT TREATED
 WASHER - COLD ROLLED STEEL, HEAT TREATED

| | |
|--------------------------------------|-----------------------------------------------------------------------------------------------------|
| CUSTOMER PART# | XX = ± .01 XXX = ± .005 XXXX = ± .0005 ANGLES = ± 1' INCH [METRIC] FRACTION = ± 1/32 |
| <i>ENGINEERING CHANGE ORDER NOTE</i> | |

| | | | | | | | |
|------------------------------------------------------------------|-------------------|-------------------|-------------------|----------------------------------------------------------------------|-------------------|--|--|
| CARTER MANUFACTURING IS NOT RESPONSIBLE FOR TYPOGRAPHICAL ERRORS | | | | CARTER MANUFACTURING CO., INC. GRAND HAVEN, MICHIGAN 49417 | | | |
| <i>REVISION</i> | | | | PART NAME: ASSEMBLY | | | |
| B | AUTHOR BY HG | DRAWN BY JAF | CHK'D BY MD | SALES KR | MATERIAL NOTED | | |
| REVISION BY SGW | DATE 5/12/2014 | DATE 6/21/2006 | DATE 5/12/2014 | DATE 5/12/2014 | SHEET 1 OF 2 | | |