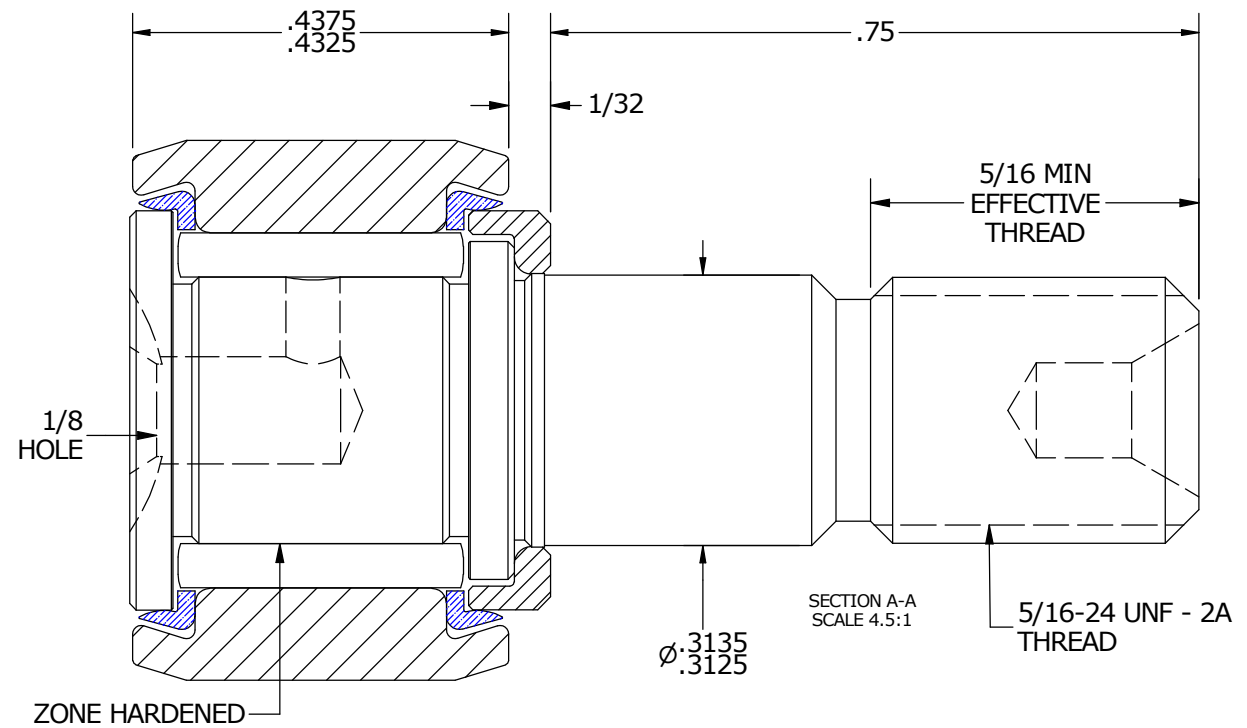
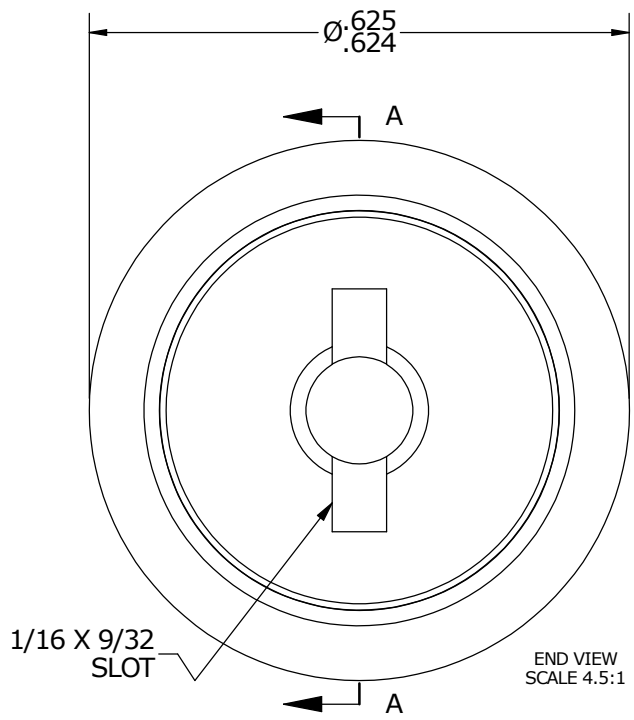
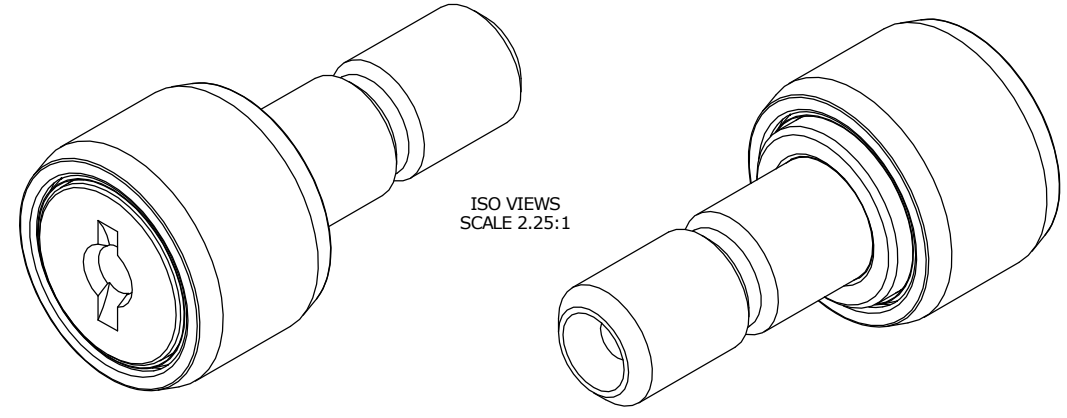


LOAD RATINGS	
RATING	Lbs
RADIAL BASIC DYNAMIC	955
MAXIMUM STATIC CAPACITY	2,480

NOTES:  
 1. BEARING IS PACKED WITH NLGI GRADE 2, LITHIUM BASED GREASE  
 2. ALL EXPOSED SURFACES HAVE BLACK OXIDE

MS NO. \_\_\_\_\_ NSN NO. \_\_\_\_\_ DRAWING NO. CNBH-20-S



MATERIAL NOTES:  
 OUTER RACE - BEARING STEEL, HEAT TREATED  
 STUD - BEARING STEEL, ZONE HARDENED  
 NEEDLE ROLLER - BEARING STEEL, HEAT TREATED  
 WASHER - COLD ROLLED STEEL, HEAT TREATED  
 SEAL - SYNTHETIC

CUSTOMER PART#	XX = ± .01 XXX = ± .005 XXXX = ± .0005 ANGLES = ± 1' INCH [METRIC] FRACTION = ± 1/32
<i>ENGINEERING CHANGE ORDER NOTE</i>	

CARTER MANUFACTURING IS NOT RESPONSIBLE FOR TYPOGRAPHICAL ERRORS

REVISION	
<b>B</b>	AUTHOR BY HG
REVISION BY SGW	DATE 5/12/2014

**CARTER MANUFACTURING CO., INC.**  
 GRAND HAVEN, MICHIGAN 49417

PART NAME: ASSEMBLY

DRAWN BY	CHK'D BY	SALES	MATERIAL
JAF	MD	KR	NOTED
DATE	DATE	DATE	SHEET
6/20/2006	5/12/2014	5/12/2014	1 OF 2