

LOAD RATINGS		
RATING	Lbs	Newtons
RADIAL BASIC DYNAMIC	15,720	69,926
MAXIMUM STATIC CAPACITY	24,910	110,805

RECOMMENDED MOUNTING HOLE		
LIMIT	Inch	mm
MIN.	1.752	45.5008
MAX.	1.754	44.5516

MAXIMUM CLAMPING TORQUE **		
LIMIT	Inch lbf	Nm
Thread Type	Inch lbf	Nm
LUBRICATED	1,725	195

NOTES:

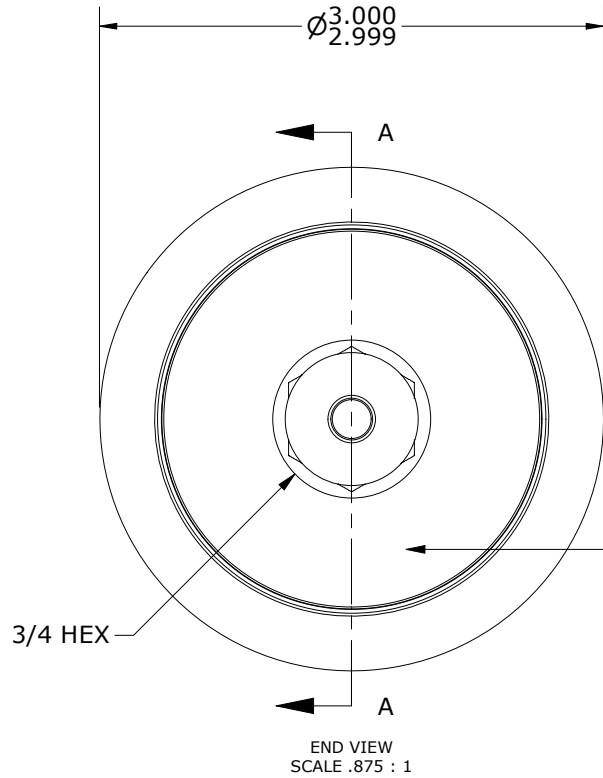
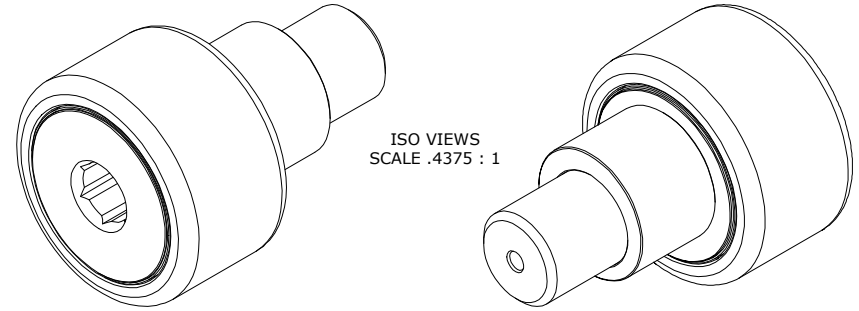
- BEARING IS PACKED WITH NLGI GRADE 2, LITHIUM BASED GREASE UNLESS OTHERWISE SPECIFIED
- ALL EXPOSED SURFACES HAVE BLACK OXIDE
- CUSTOM LASER ETCHING AVAILABLE UPON REQUEST
- LIMITING SPEED:
  - GREASE = 950 RPM

MS NO.

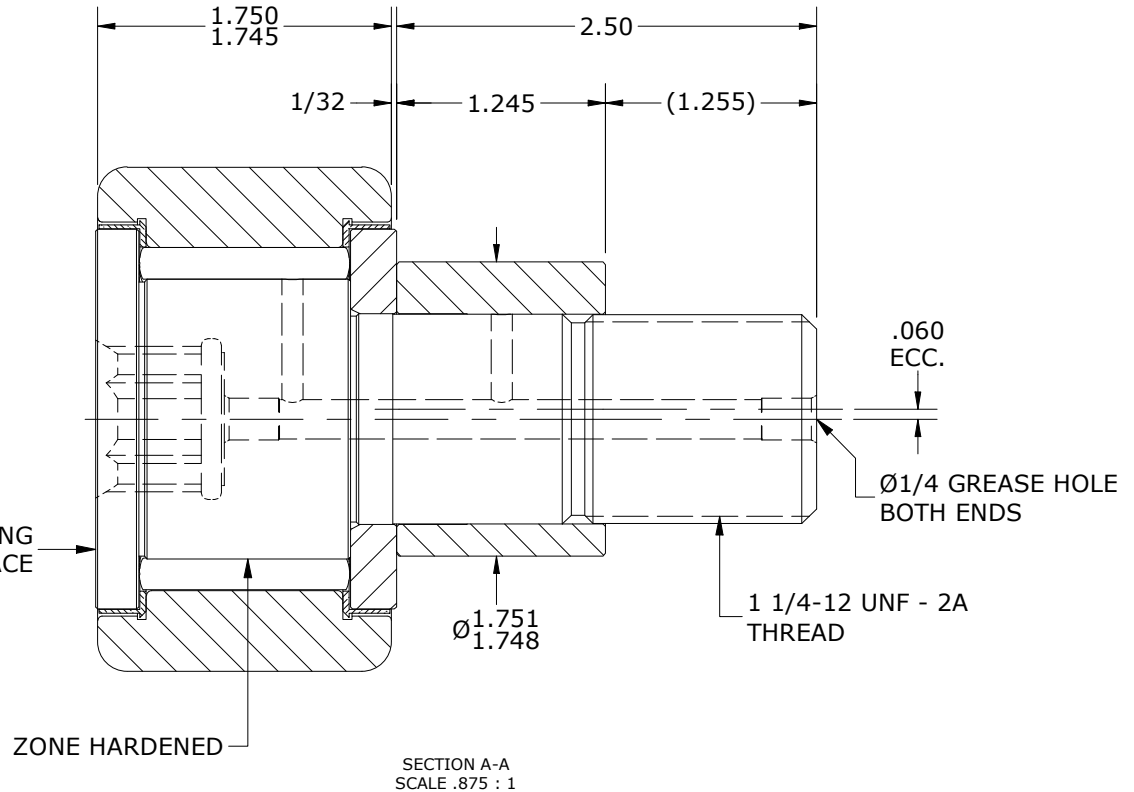
NSN NO.

DRAWING NO.

CNBE-96-SB



LASER ETCHING  
ON THIS FACE



\*\* TORQUE SPECIFICATION IS BASED ON LUBRICATED THREADS, IF USING CLEAN DRY THREADS DOUBLE TORQUE VALUE

MATERIAL NOTES:

OUTER RING - BEARING STEEL, HEAT TREATED  
 STUD - BEARING STEEL, ZONE HARDENED  
 NEEDLE ROLLERS - BEARING STEEL, HEAT TREATED  
 WASHER - STEEL, HEAT TREATED  
 SEALS - SYNTHETIC  
 ECCENTRIC SLEEVE - STEEL

CUSTOMER PART#

XX = ± .01  
 XXX = ± .005  
 XXXX = ± .0005  
 ANGLES = ± 1'  
 INCH [METRIC]  
 FRACTION = ± 1/32

CARTER MANUFACTURING IS  
 NOT RESPONSIBLE FOR  
 TYPOGRAPHICAL ERRORS

**CARTER MANUFACTURING CO., INC.**

GRAND HAVEN, MICHIGAN 49417

ENGINEERING CHANGE ORDER NOTE

REVISION

PART NAME: Assembly

PRODUCT TYPE: CNBE

B

AUTHOR BY

DRAWN BY

CHK'D BY

SALES

MATERIAL

HG

JAF

SGW

KPR

NOTED

REVISION BY

DATE

DATE

DATE

DATE

SHEET

MD

7/7/2021

7/10/2006

7/7/2021

7/10/2006

1 OF 2