

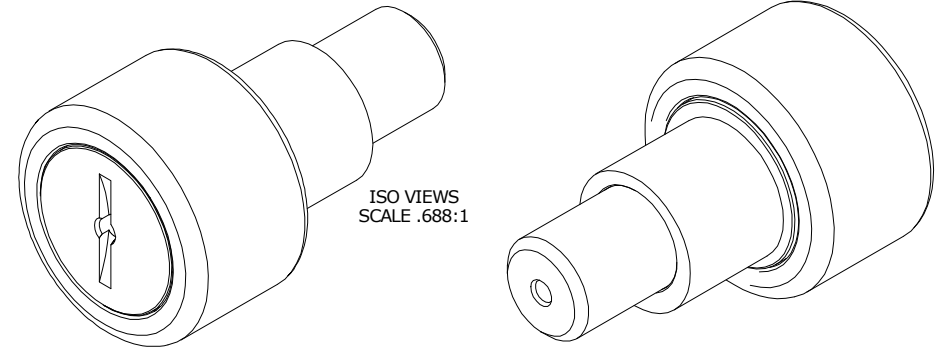
| LOAD RATINGS | | |
|-------------------------|--------|---------|
| RATING | lbf | Newtons |
| RADIAL BASIC DYNAMIC | 8,090 | 35,986 |
| MAXIMUM STATIC CAPACITY | 10,570 | 47,018 |

MS NO. _____ NSN NO. _____ DRAWING NO. CNBE-64

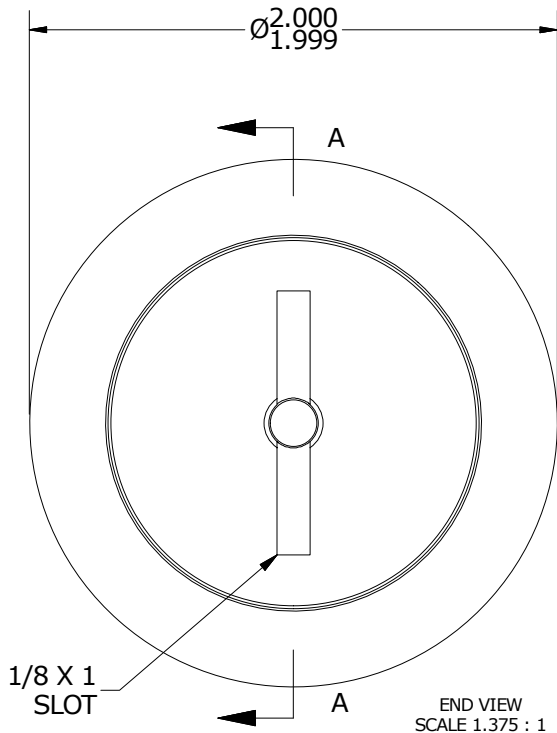
| RECOMMENDED MOUNTING HOLE Ø | | |
|-----------------------------|-------|---------|
| Limit | Inch | mm |
| MIN | 1.189 | 30.2006 |
| MAX | 1.191 | 30.2514 |

- NOTES:
1. BEARING IS PACKED WITH NLGI GRADE 2, LITHIUM BASED GREASE (UNLESS OTHERWISE SPECIFIED)
 2. ALL EXPOSED SURFACES HAVE BLACK OXIDE
 3. LIMITING SPEED:
 - A. GREASE = 1,400 RPM

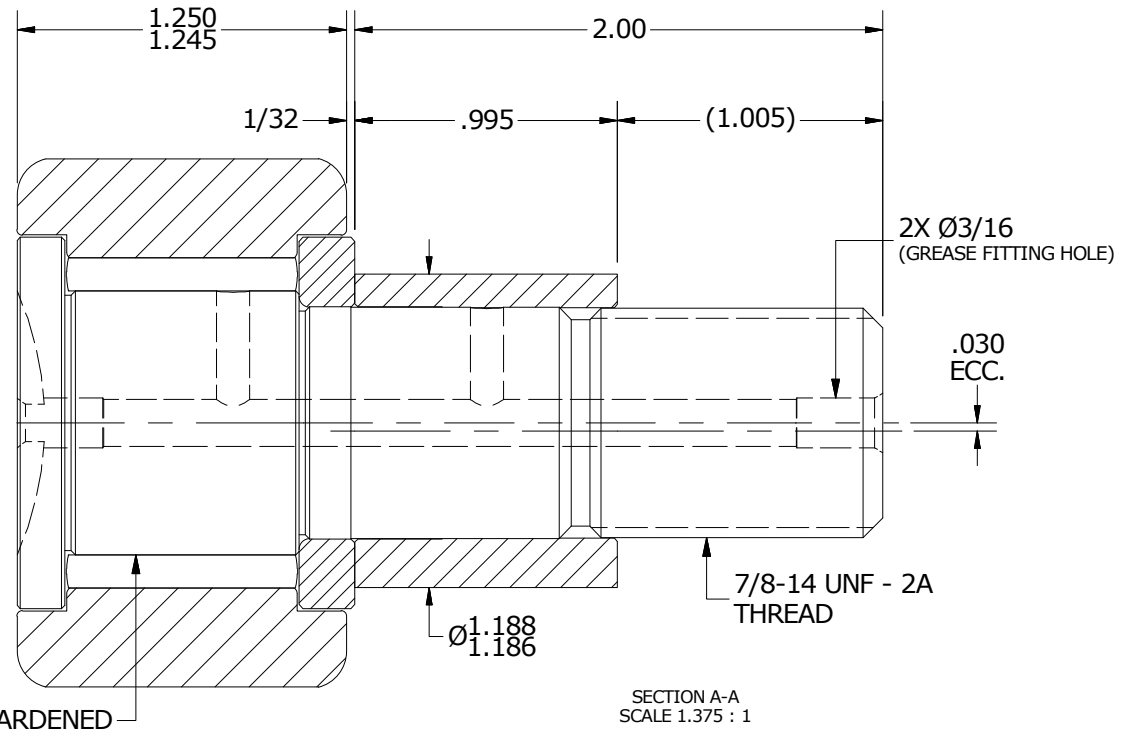
| MAXIMUM CLAMPING TORQUE | | |
|-------------------------|----------|-------|
| Thread Type | Inch Lbs | Nm |
| DRY | 1500 | 169.5 |
| LUBRICATED | 750 | 84.7 |



ISO VIEWS
SCALE .688:1



END VIEW
SCALE 1.375 : 1



SECTION A-A
SCALE 1.375 : 1

MATERIAL NOTES:

- OUTER RING - BEARING STEEL, HEAT TREATED
- STUD - BEARING STEEL, ZONE HARDENED
- NEEDLE ROLLER(S) - BEARING STEEL, HEAT TREATED
- WASHER - BEARING STEEL, HEAT TREATED
- ECCENTRIC SLEEVE - COLD ROLLED STEEL
- SEAL(S) - SYNTHETIC

CUSTOMER PART#

XX = ± .01
XXX = ± .005
XXXX = ± .0005
ANGLES = ± 1'
INCH [METRIC]
FRACTION = ± 1/32

CARTER MANUFACTURING IS NOT RESPONSIBLE FOR TYPOGRAPHICAL ERRORS

CARTER MANUFACTURING CO., INC.
GRAND HAVEN, MICHIGAN 49417

ENGINEERING CHANGE ORDER NOTE

REVISION

PART NAME: ASSEMBLY

PRODUCT TYPE: CNB

B

AUTHOR BY
HG

DRAWN BY
MD

CHK'D BY
MD

SALES
KR

MATERIAL
NOTED

REVISION BY
JLB

DATE
7/19/2018

DATE
7/12/2006

DATE
7/19/2018

DATE
7/19/2018

SHEET
1 OF 2