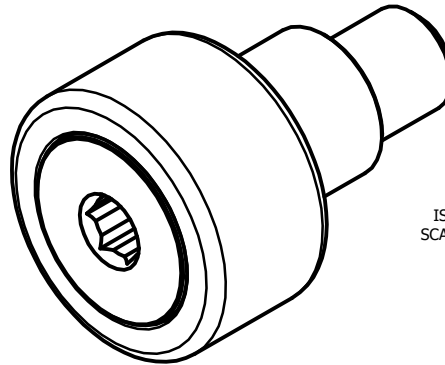


LOAD RATINGS

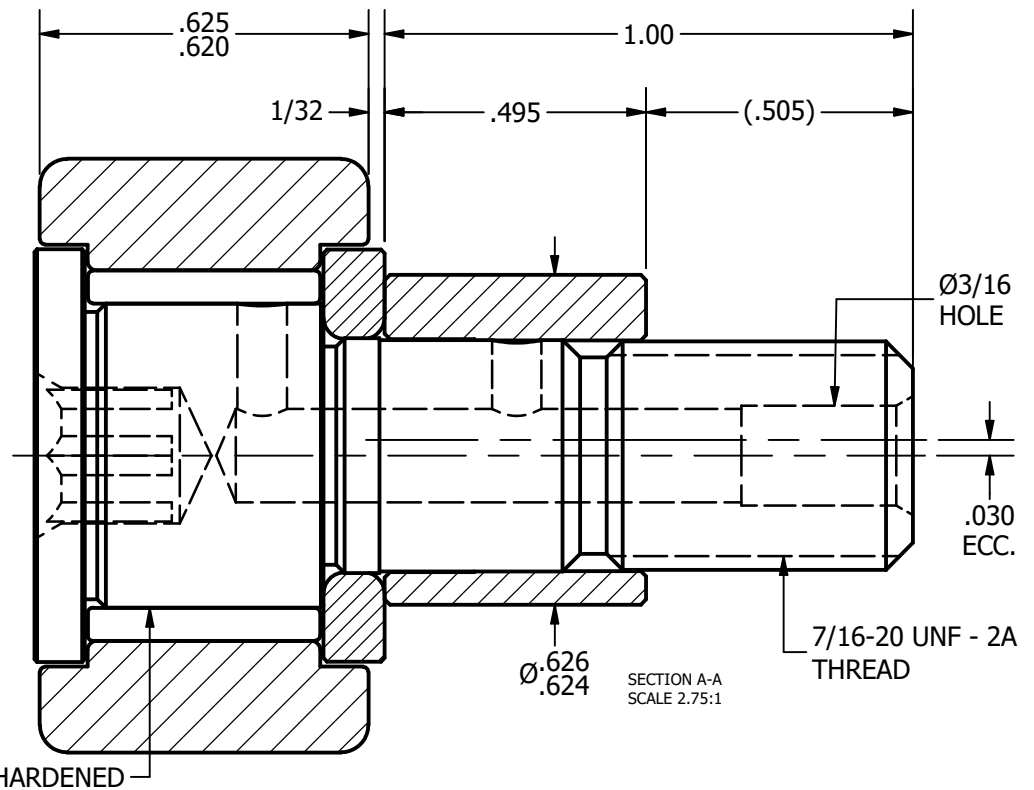
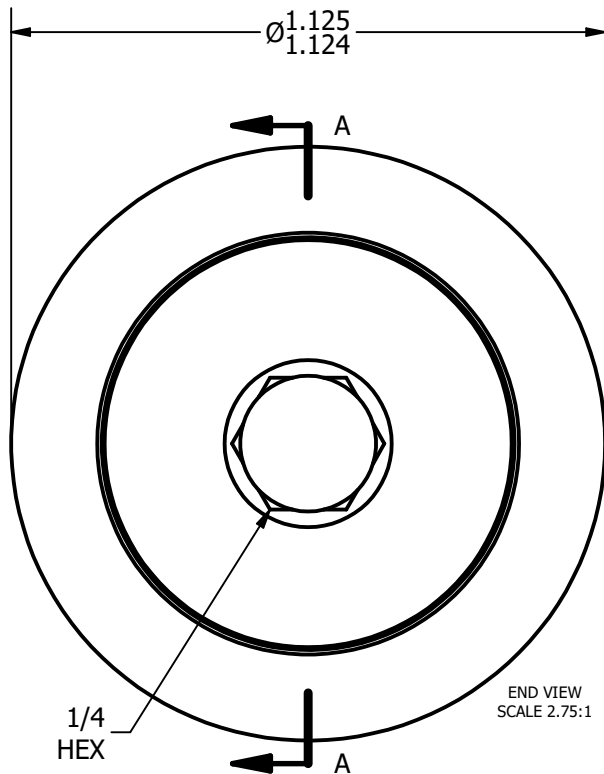
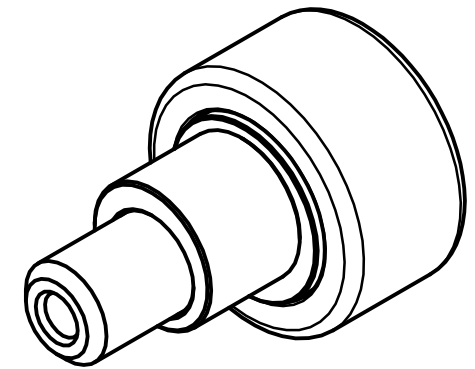
RATING	Lbs
RADIAL BASIC DYNAMIC	2,225
MAXIMUM STATIC CAPACITY	3,060

NOTES:

1. BEARING IS PACKED WITH LITHIUM BASED #2 WEIGHT GREASE
2. ALL EXPOSED SURFACES HAVE BLACK OXIDE



ISO VIEWS  
SCALE 1.375:1



MATERIAL NOTES:

OUTER RACE - BEARING STEEL, HEAT TREATED  
 STUD - BEARING STEEL, ZONE HARDENED  
 NEEDLE ROLLER - BEARING STEEL, HEAT TREATED  
 WASHER - COLD ROLLED STEEL, HEAT TREATED  
 ECCENTRIC SLEEVE - COLD ROLLED STEEL

CUSTOMER PART#

.XX =  $\pm .01$   
 .XXX =  $\pm .005$   
 .XXXX =  $\pm .0005$   
 ANGLES =  $\pm 1'$   
 INCH [METRIC]  
 FRACTION =  $\pm 1/32$

CHANGE NOTE:

CARTER MANUFACTURING IS NOT RESPONSIBLE FOR TYPOGRAPHICAL ERRORS

**CARTER MANUFACTURING CO., INC.**  
 GRAND HAVEN, MICHIGAN 49417

REVISION

PART NAME: ASSEMBLY

SHEET 1 OF 2

REV. BY	AUTHOR. BY	DRAWN BY	CHK'D BY	SALES	MATERIAL
B	DB	EMD	MD	KR	NOTED
REV. BY	DATE	DATE	DATE	DATE	DRAWING NO.
SGW	4/24/2013	6/27/2006	4/24/2013	4/24/2013	CNBE-36-B