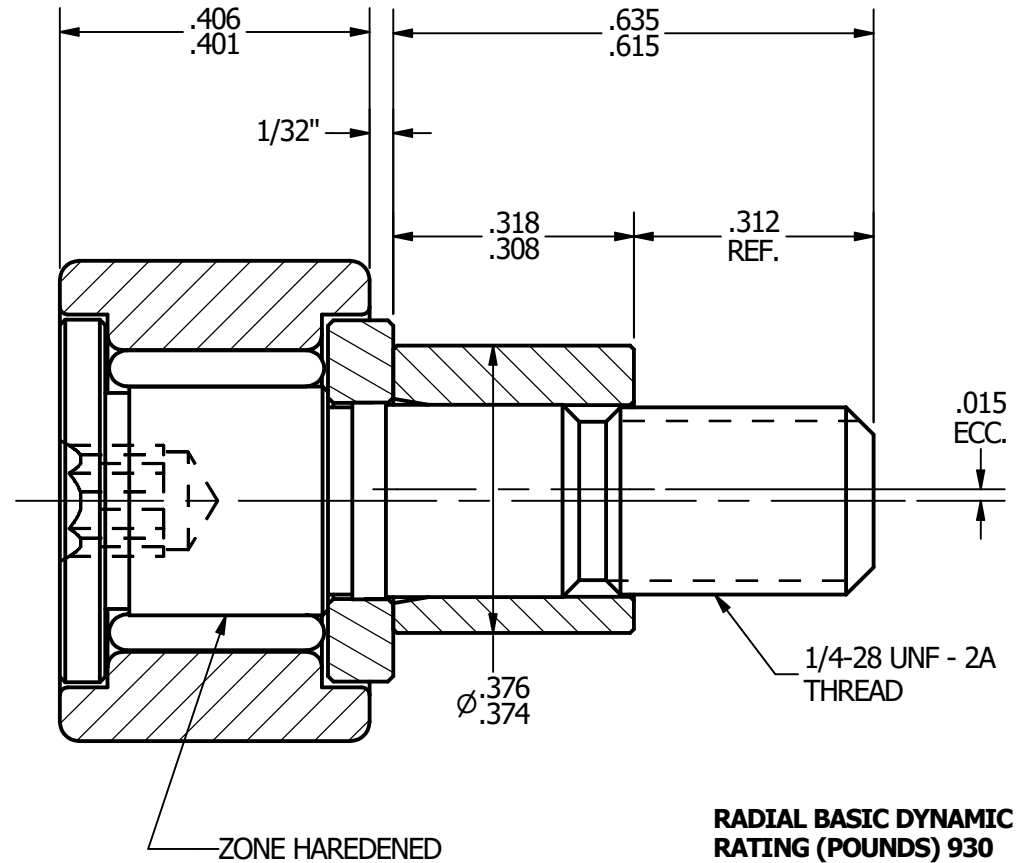
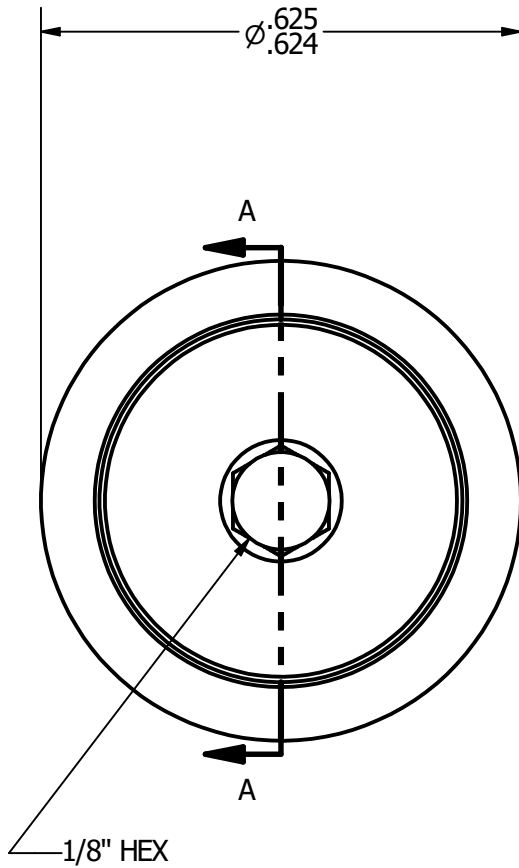
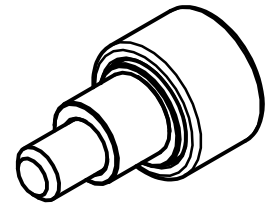


- NOTES:**  
 1. BEARING PACKED WITH GREASE  
 2. ALL EXPOSED SURFACES BLACK OXIDED



**MATERIAL NOTES:**

- OUTER - BEARING STEEL, HEAT TREATED**  
**STUD - BEARING STEEL, ZONE HARDENED**  
**ROLLER - BEARING STEEL, HEAT TREATED**  
**WASHER - COLD ROLLED STEEL, HEAT TREATED**  
**ECCENTRIC SLEEVE - COLD ROLLED STEEL**

CUSTOMER PART#

.XX = ± .01  
 .XXX = ± .005  
 .XXXX = ± .0005  
 ANGLES = ± 1'  
 INCH [METRIC]

CARTER MANUFACTURING IS NOT RESPONSIBLE FOR TYPOGRAPHICAL ERRORS

**CARTER MANUFACTURING CO., INC.**

GRAND HAVEN, MICHIGAN 49417

REVISION

PART NAME: ASSEMBLY

SHEET 1 OF 2

CHANGE NOTE:

**A**

AUTHOR. BY

DRAWN BY

CHK'D BY

SALES

MATERIAL

JGV

JAF

JGV

KPR

NOTED

REV. BY

DATE

DATE

DATE

DATE

DRAWING NO.

JAF

6/20/2006

6/20/2006

6/20/2006

6/20/2006

CNBE-20-NB