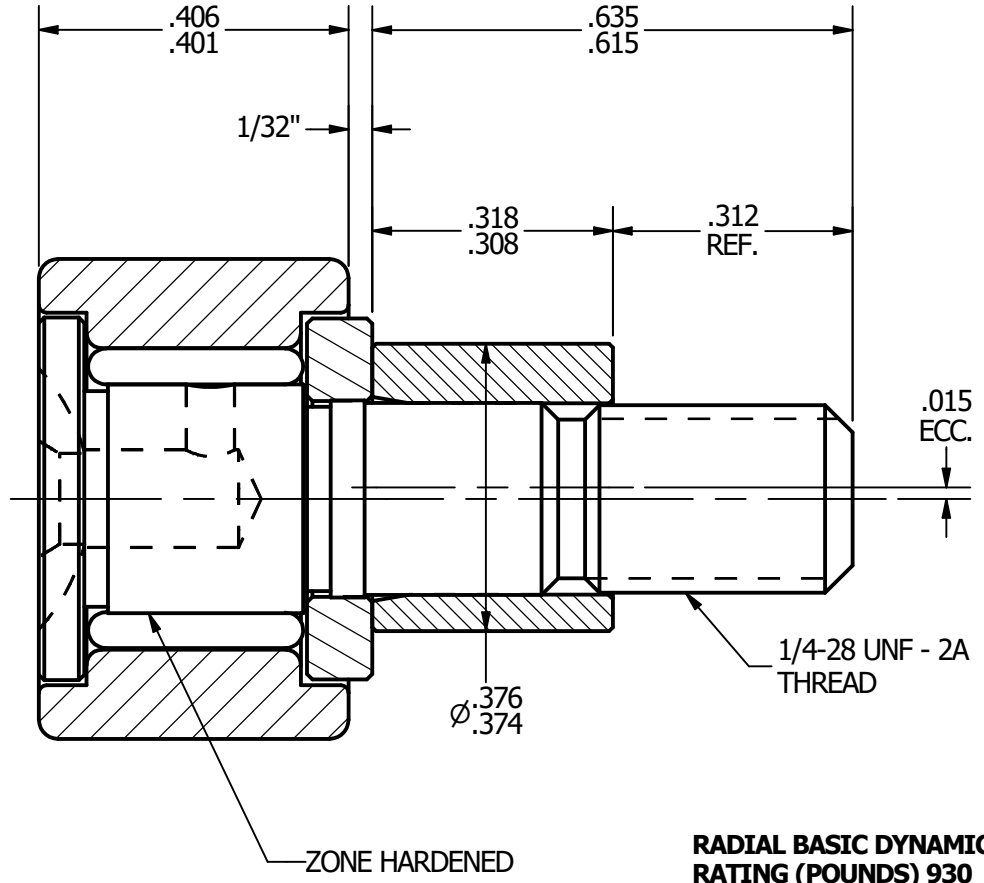
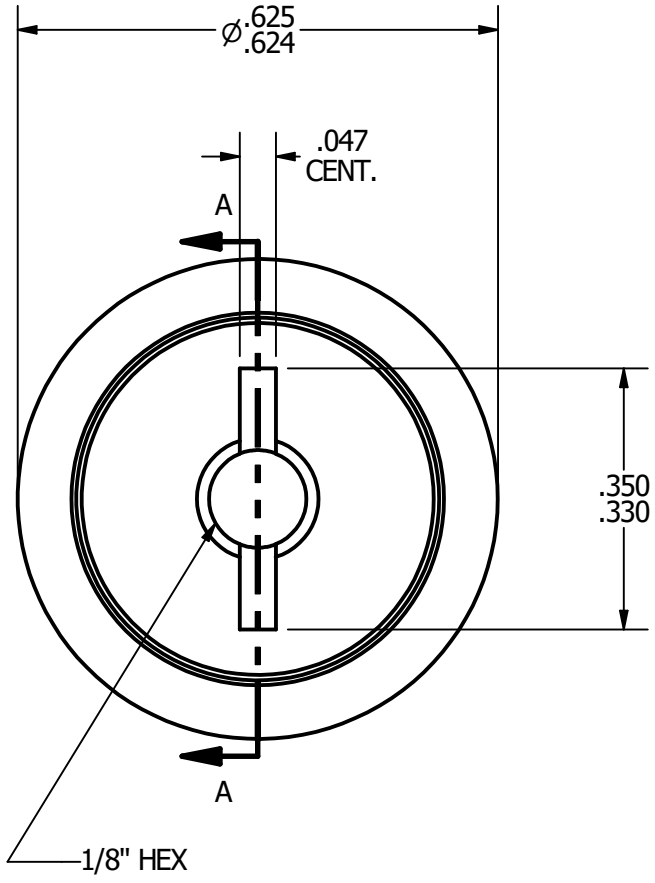
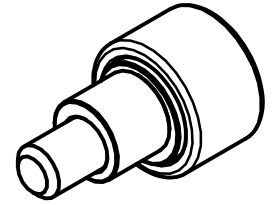


- NOTES:**
 1. BEARING PACKED WITH GREASE
 2. ALL EXPOSED SURFACES BLACK OXIDED



RADIAL BASIC DYNAMIC RATING (POUNDS) 930

MAXIMUM STATIC CAPACITY (POUNDS) 1,085

MATERIAL NOTES:

OUTER - BEARING STEEL, HEAT TREATED
STUD - BEARING STEEL, ZONE HARDENED
ROLLER - BEARING STEEL, HEAT TREATED
WASHER - COLD ROLLED STEEL, HEAT TREATED
ECCENTRIC SLEEVE - COLD ROLLED STEEL

CUSTOMER PART#

.XX = ± .01
 .XXX = ± .005
 .XXXX = ± .0005
 ANGLES = ± 1°
 INCH [METRIC]

CHANGE NOTE:

CARTER MANUFACTURING IS NOT RESPONSIBLE FOR TYPOGRAPHICAL ERRORS

REVISION

A	AUTHOR. BY	DRAWN BY	CHK'D BY	SALES	MATERIAL
	JGV	JAF	JGV	KPR	NOTED
REV. BY	DATE	DATE	DATE	DATE	DRAWING NO.
JAF	6/20/2006	6/20/2006	6/20/2006	6/20/2006	CNBE-20-N

CARTER MANUFACTURING CO., INC.
 GRAND HAVEN, MICHIGAN 49417

PART NAME: ASSEMBLY SHEET 1 OF 2