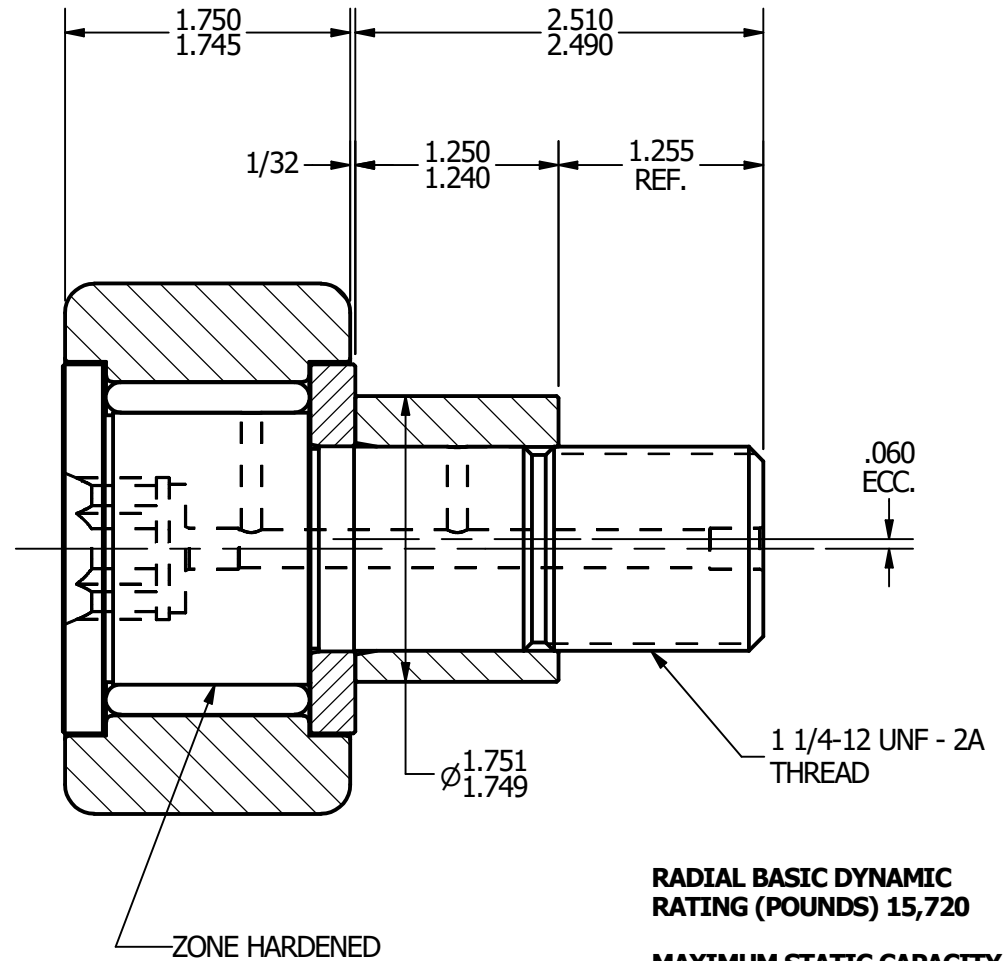
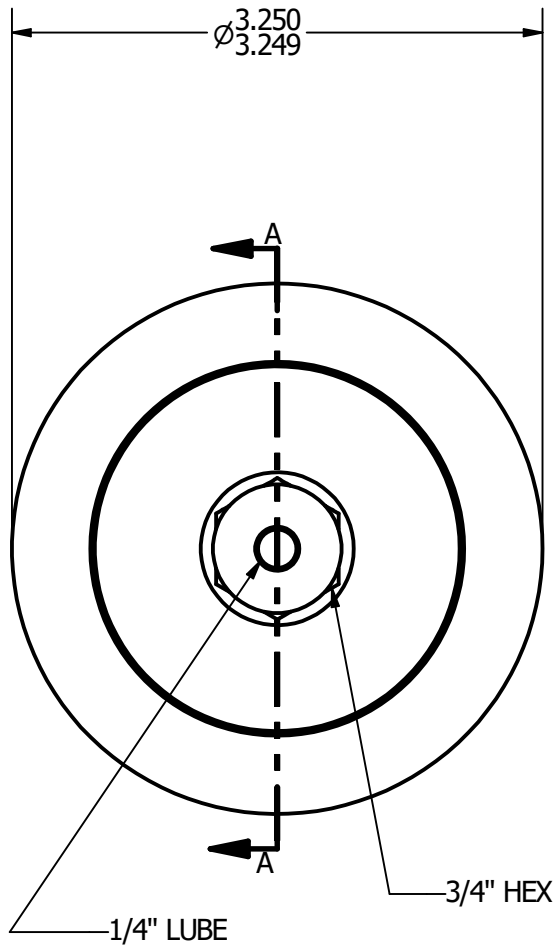
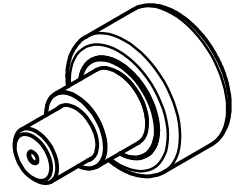


- NOTES:**  
 1. BEARING IS PACKED WITH GREASE  
 2. ALL EXPOSED SURFACES ARE BLACK OXIDED



**RADIALLY HARDENED**  
**RADIAL BASIC DYNAMIC RATING (POUNDS) 15,720**

**MAXIMUM STATIC CAPACITY (POUNDS) 24,910**

**MATERIAL NOTES:**

- OUTER - BEARING STEEL, HEAT TREATED**
- STUD - BEARING STEEL, ZONE HARDENED**
- ROLLER - BEARING STEEL, HEAT TREATED**
- WASHER - COLD ROLLED STEEL, HEAT TREATED**
- ECCENTRIC SLEEVE - COLD ROLLED STEEL**

CUSTOMER PART#

.XX = ± .01  
 .XXX = ± .005  
 .XXXX = ± .0005  
 ANGLES = ± 1'  
 INCH [METRIC]

CARTER MANUFACTURING IS NOT RESPONSIBLE FOR TYPOGRAPHICAL ERRORS

**CARTER MANUFACTURING CO., INC.**

GRAND HAVEN, MICHIGAN 49417

REVISION

PART NAME: Assembly

SHEET 1 OF 2

CHANGE NOTE:

**A**

**AUTHOR. BY**

**DRAWN BY**

**CHK'D BY**

**SALES**

**MATERIAL**

JGV

JAF

JGV

KPR

NOTED

**REV. BY**

**DATE**

**DATE**

**DATE**

**DATE**

**DRAWING NO.**

JAF

7/10/2006

7/10/2006

7/10/2006

7/10/2006

**CNBE-104-B**