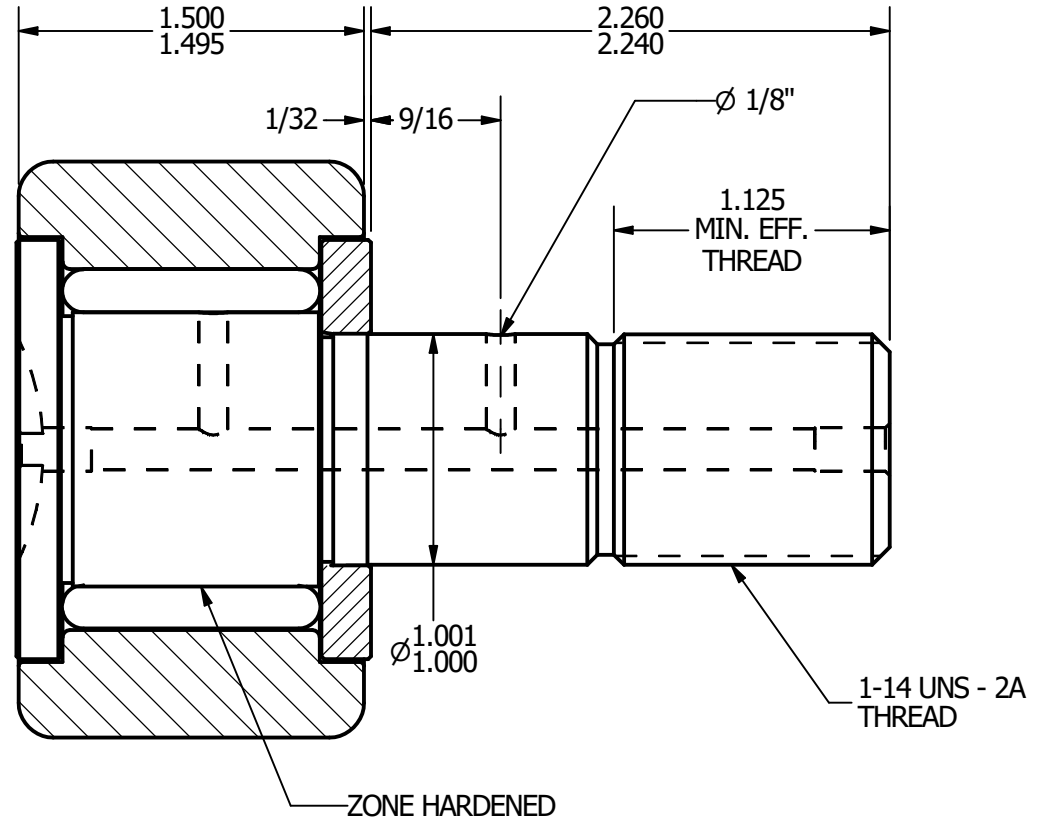
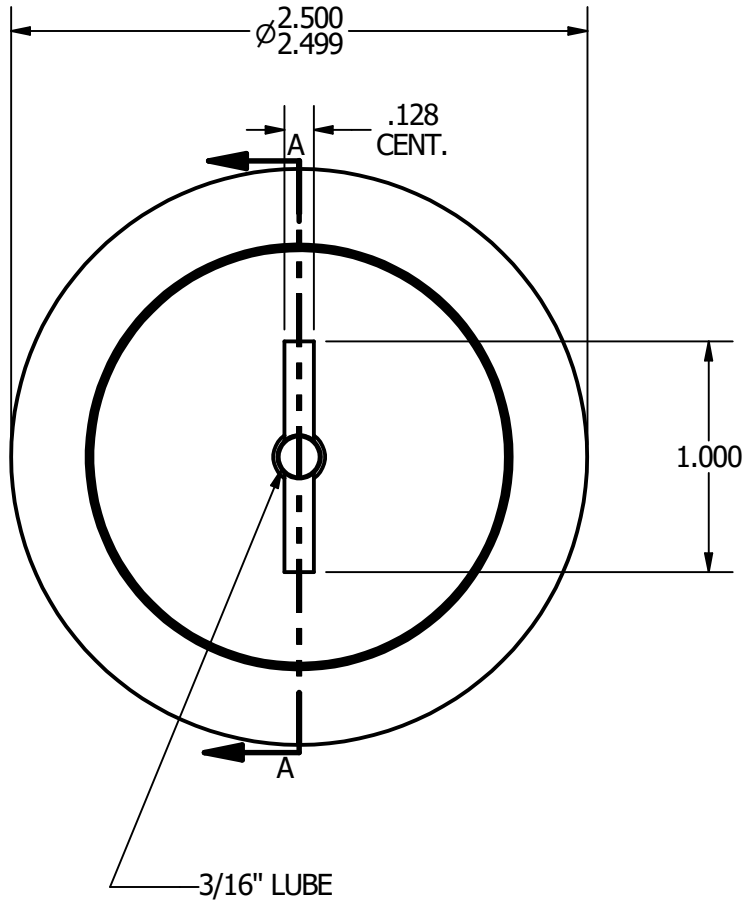
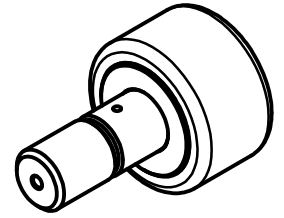


- NOTES:**
 1. BEARING IS PACKED WITH GREASE
 2. ALL EXPOSED SURFACES ARE BLACK OXIDED



RADIAL BASIC DYNAMIC RATING (POUNDS) 11,720

MAXIMUM STATIC CAPACITY (POUNDS) 16,450

MATERIAL NOTES:

- OUTER - BEARING STEEL, HEAT TREATED**
STUD - BEARING STEEL, ZONE HARDENED
ROLLER - BEARING STEEL, HEAT TREATED
WASHER - COLD ROLLED STEEL, HEAT TREATED

CUSTOMER PART#

.XX = $\pm .01$
 .XXX = $\pm .005$
 .XXXX = $\pm .0005$
 ANGLES = $\pm 1'$
 INCH [METRIC]

CARTER MANUFACTURING IS NOT RESPONSIBLE FOR TYPOGRAPHICAL ERRORS

CARTER MANUFACTURING CO., INC.

GRAND HAVEN, MICHIGAN 49417

REVISION

PART NAME: Assembly

SHEET 1 OF 2

CHANGE NOTE:

A

REV. BY

GJP

AUTHOR. BY

RAM

DATE

11/16/1999

DRAWN BY

GJP

DATE

11/16/1999

CHK'D BY

RAM

DATE

11/16/1999

SALES

KPR

DATE

11/15/1999

MATERIAL

NOTED

DRAWING NO.

CNB-80