

LOAD RATINGS	
RATING	Lbs
RADIAL BASIC DYNAMIC	4,840
MAXIMUM STATIC CAPACITY	5,640

NOTES:

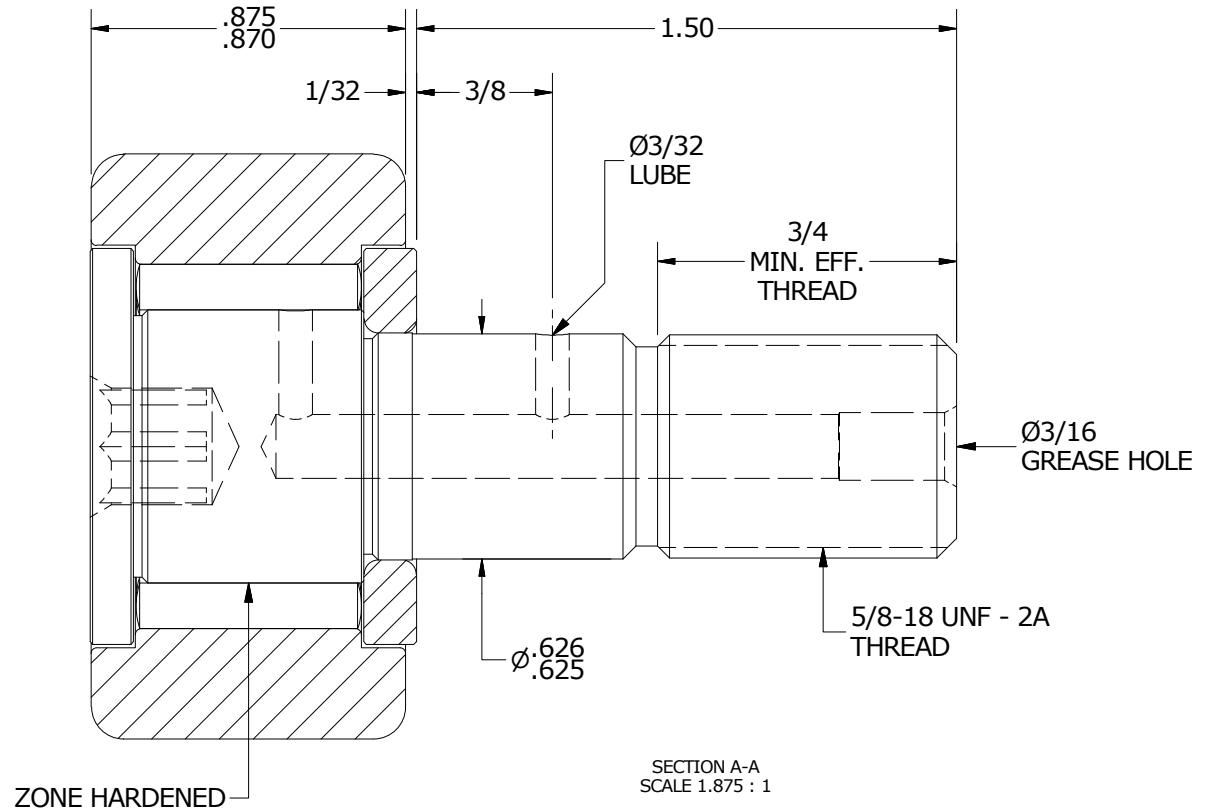
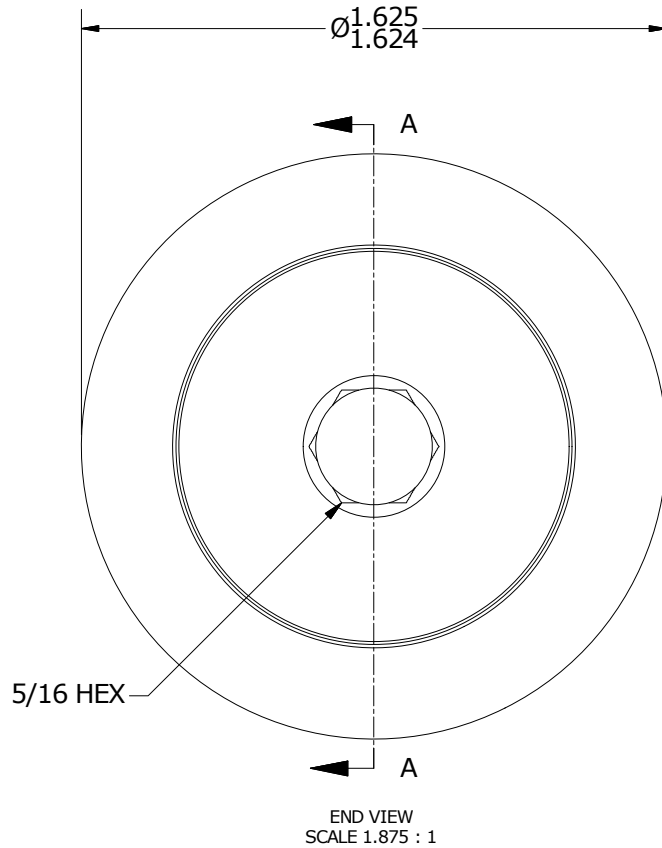
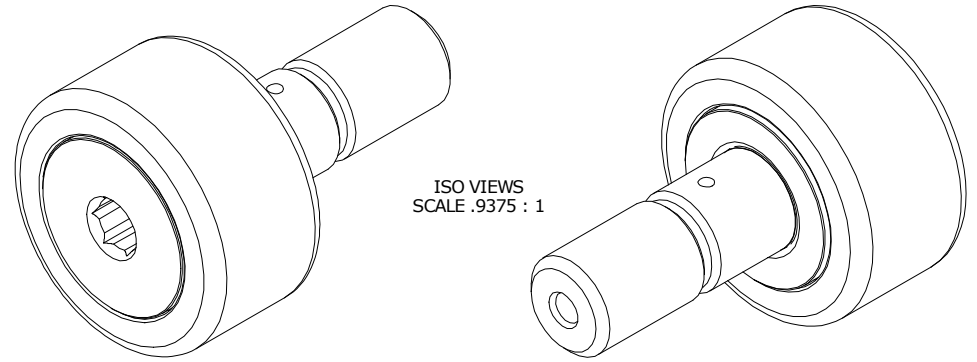
1. BEARING IS PACKED WITH NLGI GRADE 2, LITHIUM BASED GREASE (UNLESS OTHERWISE SPECIFIED)
2. ALL EXPOSED SURFACES HAVE BLACK OXIDE

MS NO.

NSN NO.

DRAWING NO.

CNB-52-B



MATERIAL NOTES:

- OUTER RACE - BEARING STEEL, HEAT TREATED
- STUD - BEARING STEEL, ZONE HARDENED
- NEEDLE ROLLERS - BEARING STEEL, HEAT TREATED
- WASHER - COLD ROLLED STEEL, HEAT TREATED

CUSTOMER PART#

XX = ± .01
XXX = ± .005
XXXX = ± .0005
ANGLES = ± 1'
INCH [METRIC]
FRACTION = ± 1/32

CARTER MANUFACTURING IS NOT RESPONSIBLE FOR TYPOGRAPHICAL ERRORS

CARTER MANUFACTURING CO., INC.

GRAND HAVEN, MICHIGAN 49417

REVISION

PART NAME: ASSEMBLY

ENGINEERING CHANGE ORDER NOTE

C

AUTHOR BY
HG

DRAWN BY
GJP

CHK'D BY
SGW

SALES
KR

MATERIAL
NOTED

REVISION BY
MD

DATE
1/6/2017

DATE
8/23/2000

DATE
1/6/2017

DATE
10/17/2010

SHEET
1 OF 2