

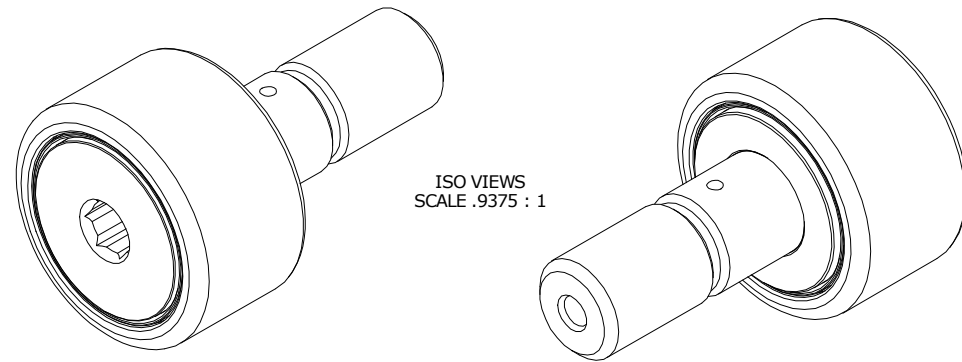
LOAD RATINGS		
RATING	lbf	Newtons
RADIAL BASIC DYNAMIC	4,840	21,529
MAXIMUM STATIC CAPACITY	5,640	25,088

NOTES:

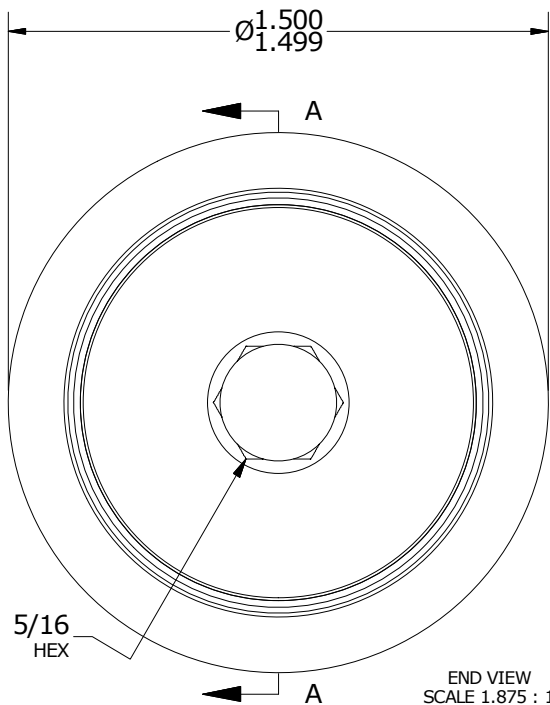
- BEARING IS PACKED WITH NLGI GRADE 2, LITHIUM BASED GREASE (UNLESS OTHERWISE SPECIFIED)
- ALL EXPOSED STEEL SURFACES HAVE BLACK OXIDE
- LIMITING SPEED:
 - GREASE = 2,500 RPM
- CUSTOM LASER ETCHING UPON REQUEST

RECOMMENDED MOUNTING HOLE Ø		
Limit	Inch	mm
MIN	.6250	15.875
MAX	.6255	15.888

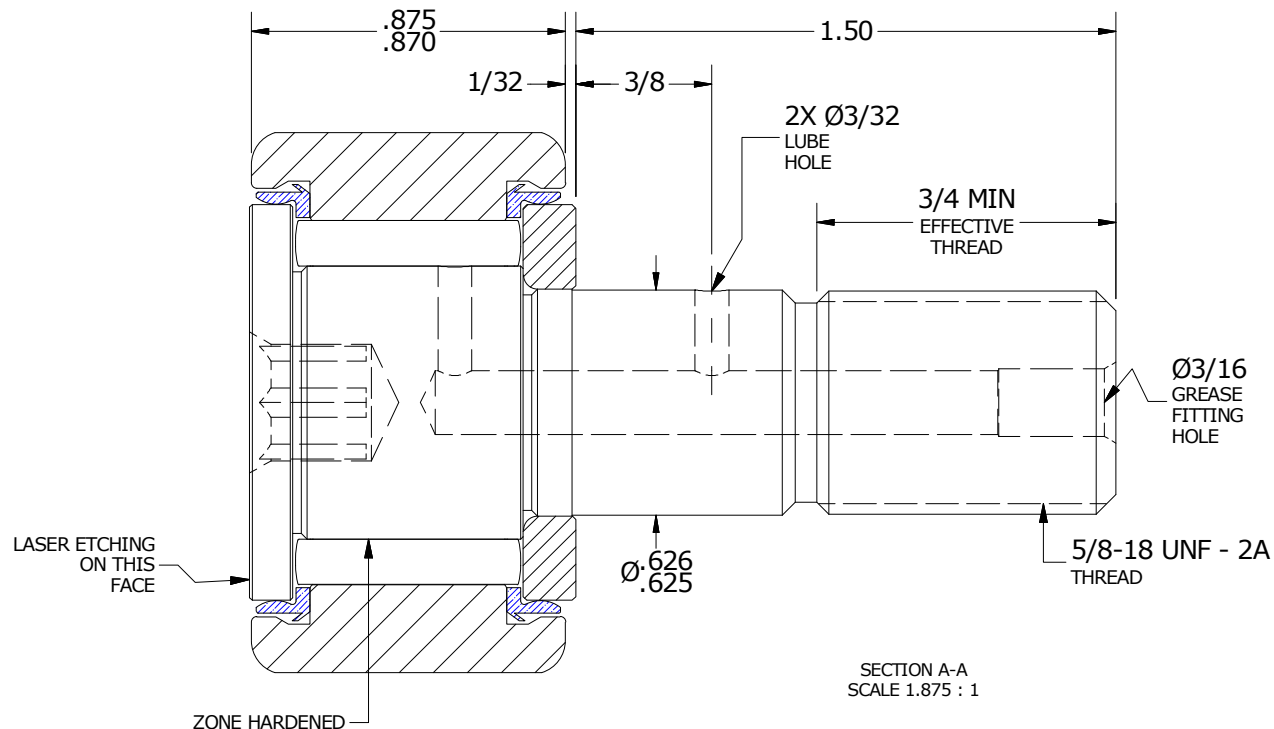
MAXIMUM CLAMPING TORQUE		
Thread Type	Inch Lbs	Nm
DRY	650	73
LUBRICATED	325	36.5



ISO VIEWS
SCALE .9375 : 1



END VIEW
SCALE 1.875 : 1



SECTION A-A
SCALE 1.875 : 1

MATERIAL NOTES:

- OUTER RING - BEARING STEEL, HEAT TREATED
- STUD - BEARING STEEL, ZONE HARDENED
- NEEDLE ROLLER(S) - BEARING STEEL, HEAT TREATED
- WASHER - BEARING STEEL, HEAT TREATED
- SEAL(S) - SYNTHETIC

CUSTOMER PART#

XX = ± .01
XXX = ± .005
XXXX = ± .0005
ANGLES = ± 1'
INCH [METRIC]
FRACTION = ± 1/32

CARTER MANUFACTURING IS NOT RESPONSIBLE FOR TYPOGRAPHICAL ERRORS

CARTER MANUFACTURING CO., INC.

GRAND HAVEN, MICHIGAN 49417

ENGINEERING CHANGE ORDER NOTE

REVISION

PART NAME: ASSEMBLY

PRODUCT TYPE: CNB

C

AUTHOR BY
DB

DRAWN BY
AJH

CHK'D BY
SGW

SALES
KR

MATERIAL
NOTED

REVISION BY
SGW

DATE
3/6/2013

DATE
8/15/2001

DATE
3/6/2013

DATE
6/8/2010

SHEET
1 OF 2