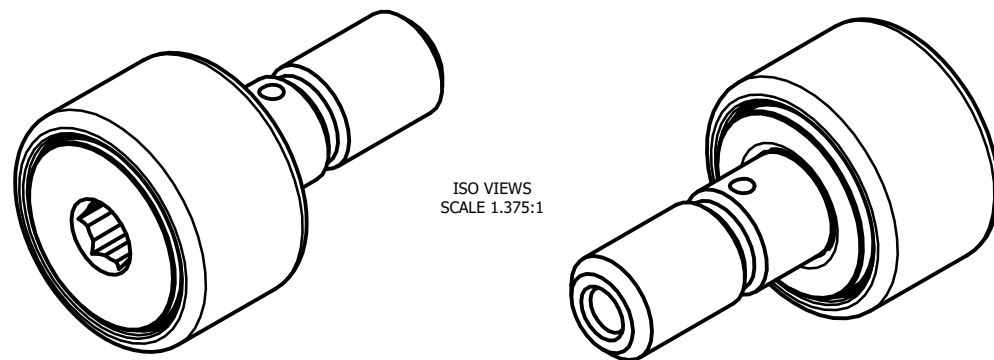


LOAD RATINGS

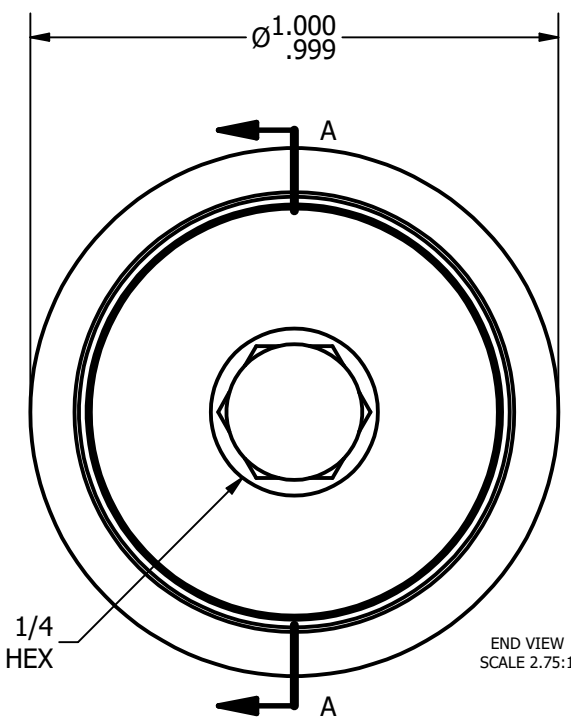
RATING	Lbs
RADIAL BASIC DYNAMIC	1,800
MAXIMUM STATIC CAPACITY	2,040

NOTES:

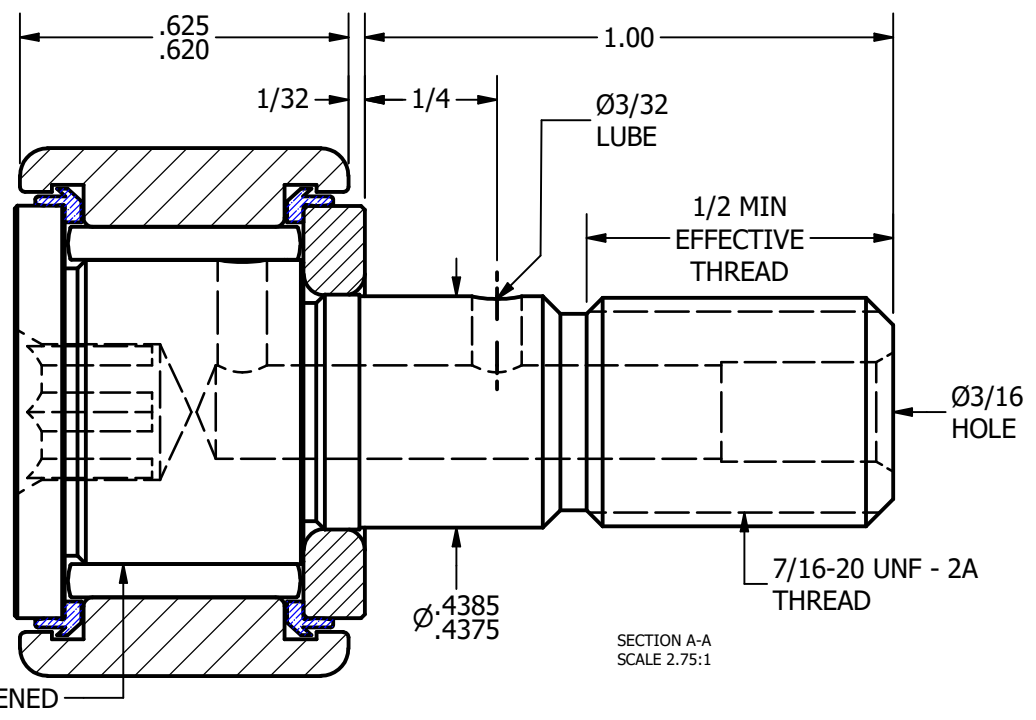
1. BEARING IS PACKED WITH CARTER STANDARD H1 FOOD GRADE GREASE
2. ALL EXPOSED SURFACES HAVE CHROME PLATING



ISO VIEWS
SCALE 1.375:1



END VIEW
SCALE 2.75:1



SECTION A-A
SCALE 2.75:1

MATERIAL NOTES:

OUTER RACE - BEARING STEEL, HEAT TREATED
 STUD - BEARING STEEL, ZONE HARDENED
 NEEDLE ROLLER - STAINLESS STEEL, HEAT TREATED
 WASHER - COLD ROLLED STEEL, HEAT TREATED
 SEAL - SYNTHETIC

CUSTOMER PART#	.XX = ± .01 .XXX = ± .005 .XXXX = ± .0005 ANGLES = ± 1' INCH [METRIC] FRACTION = ± 1/32
CHANGE NOTE:	

CARTER MANUFACTURING IS NOT RESPONSIBLE FOR TYPOGRAPHICAL ERRORS

REVISION

B	AUTHOR. BY	DRAWN BY	CHK'D BY	SALES	MATERIAL
	DB	SGW	MD	KR	NOTED
REV. BY	DATE	DATE	DATE	DATE	DRAWING NO.
SGW	7/8/2013	12/3/2008	7/8/2013	7/11/2013	CNB-32-SBC

CARTER MANUFACTURING CO., INC.
 GRAND HAVEN, MICHIGAN 49417

PART NAME: ASSEMBLY SHEET 1 OF 2