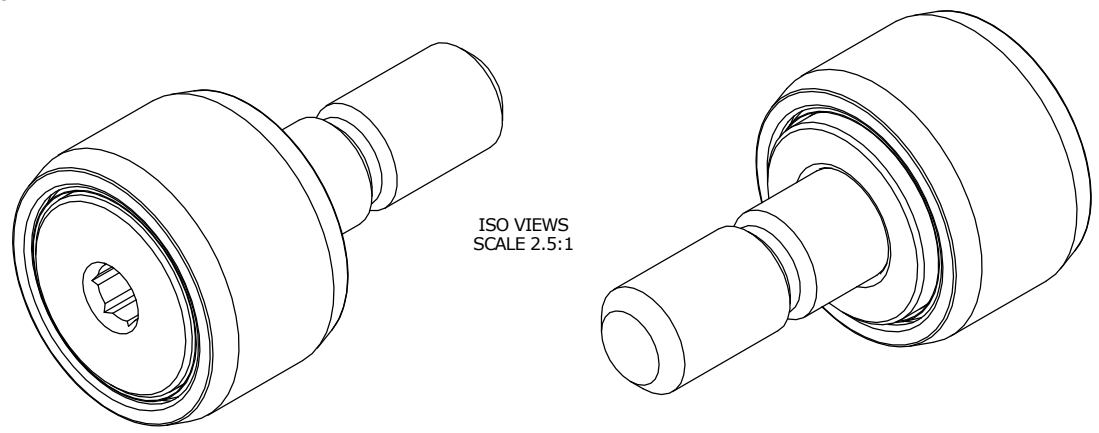


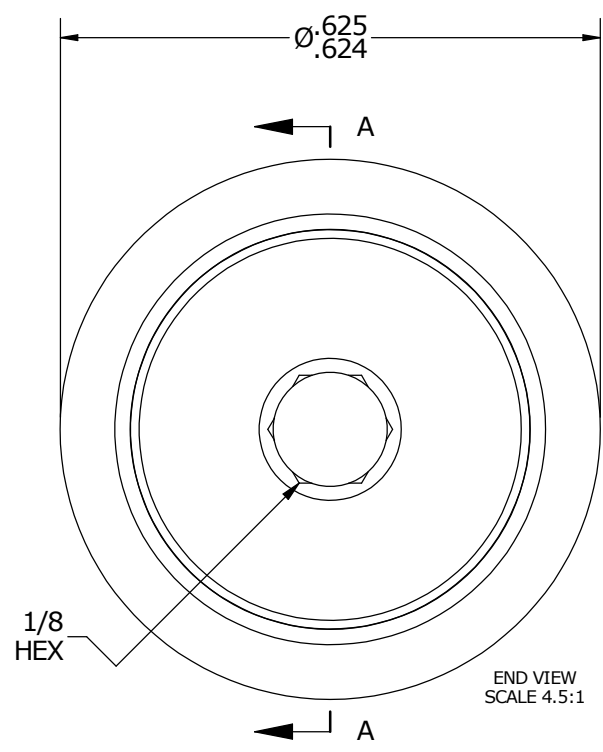
LOAD RATINGS	
RATING	Lbs
RADIAL BASIC DYNAMIC	930
DYNAMIC THRUST LOAD	1,085

NOTES:
 1. BEARING IS PACKED WITH NLGI GRADE 2, LITHIUM BASED GREASE
 2. ALL EXPOSED SURFACES HAVE BLACK OXIDE

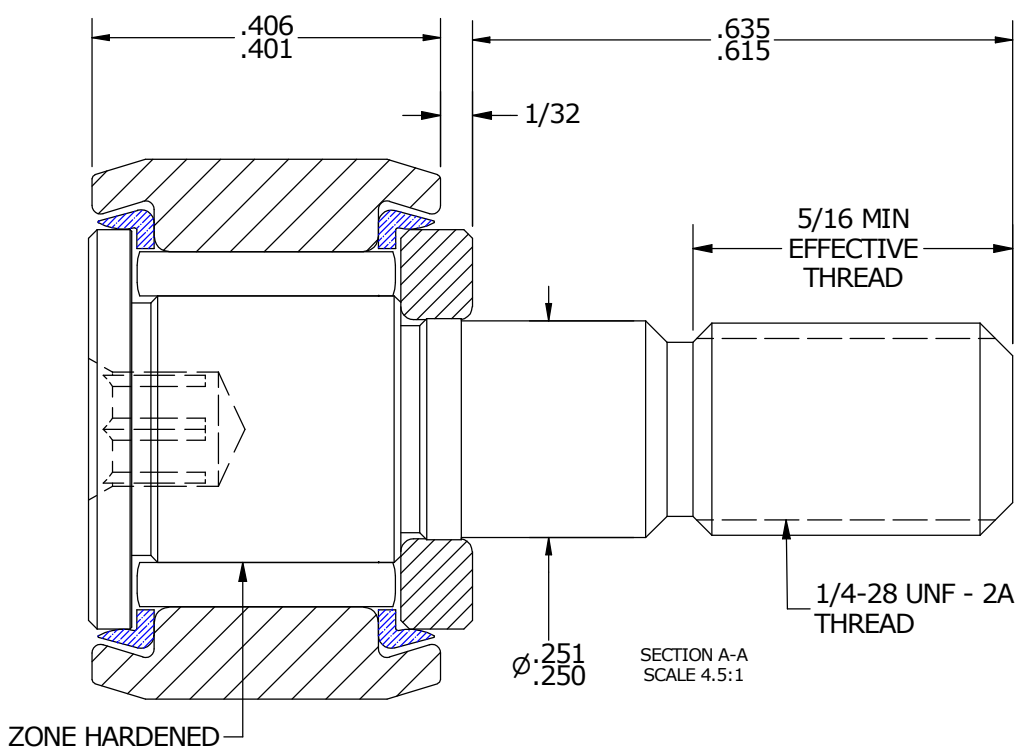
MS NO. _____ NSN NO. _____ DRAWING NO. CNB-20-NSB



ISO VIEWS
SCALE 2.5:1



END VIEW
SCALE 4.5:1



SECTION A-A
SCALE 4.5:1

MATERIAL NOTES:
 OUTER RACE - BEARING STEEL, HEAT TREATED
 STUD - BEARING STEEL, ZONE HARDENED
 NEEDLE ROLLER - BEARING STEEL, HEAT TREATED
 WASHER - COLD ROLLED STEEL, HEAT TREATED
 SEAL - SYNTHETIC

CUSTOMER PART# _____
 XX = ± .01
 XXX = ± .005
 XXXX = ± .0005
 ANGLES = ± 1'
 INCH [METRIC]
 FRACTION = ± 1/32

CARTER MANUFACTURING IS NOT RESPONSIBLE FOR TYPOGRAPHICAL ERRORS

CARTER MANUFACTURING CO., INC.
 GRAND HAVEN, MICHIGAN 49417

ENGINEERING CHANGE ORDER NOTE

REVISION		PART NAME: ASSEMBLY			
B	AUTHOR BY	DRAWN BY	CHK'D BY	SALES	MATERIAL
	HG	GJP	MD	KR	NOTED
REVISION BY	DATE	DATE	DATE	DATE	SHEET
SGW	5/12/2014	8/21/2000	5/12/2014	5/12/2014	1 OF 2