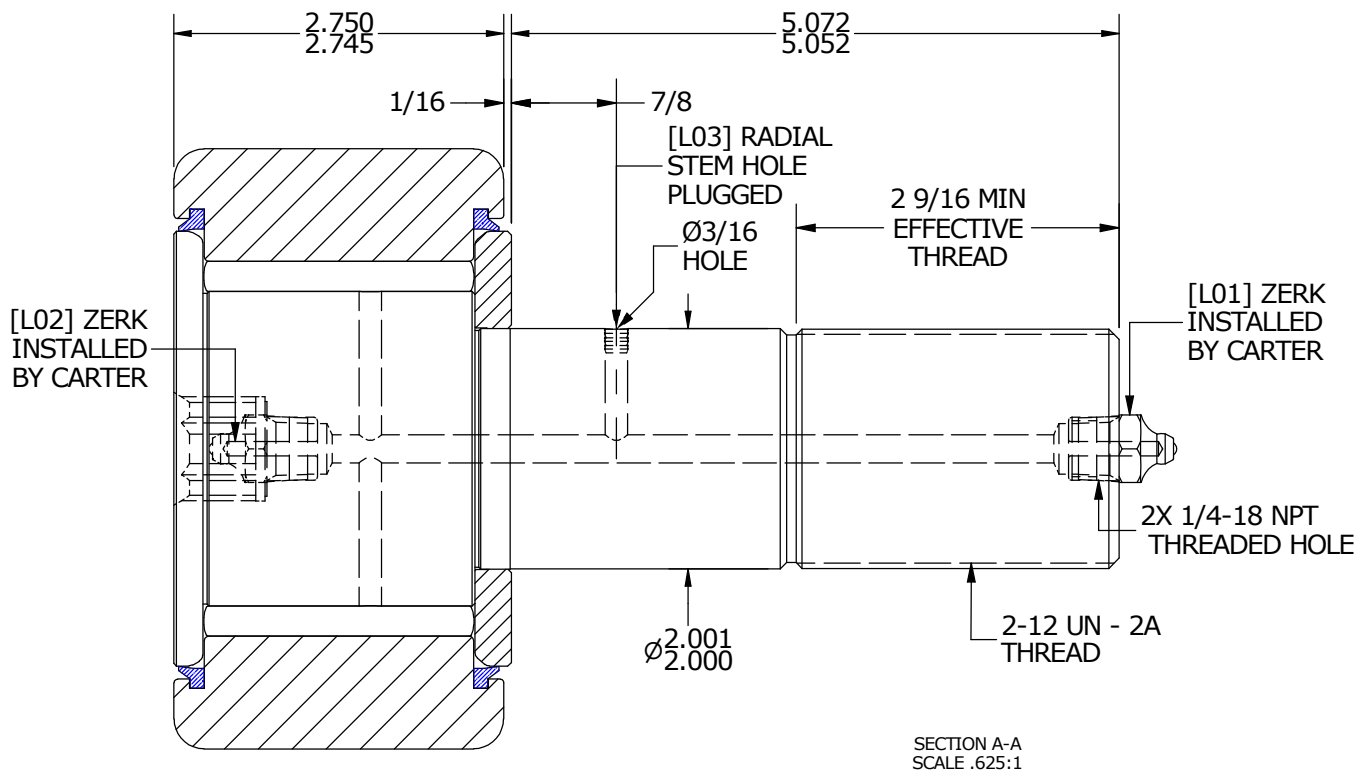
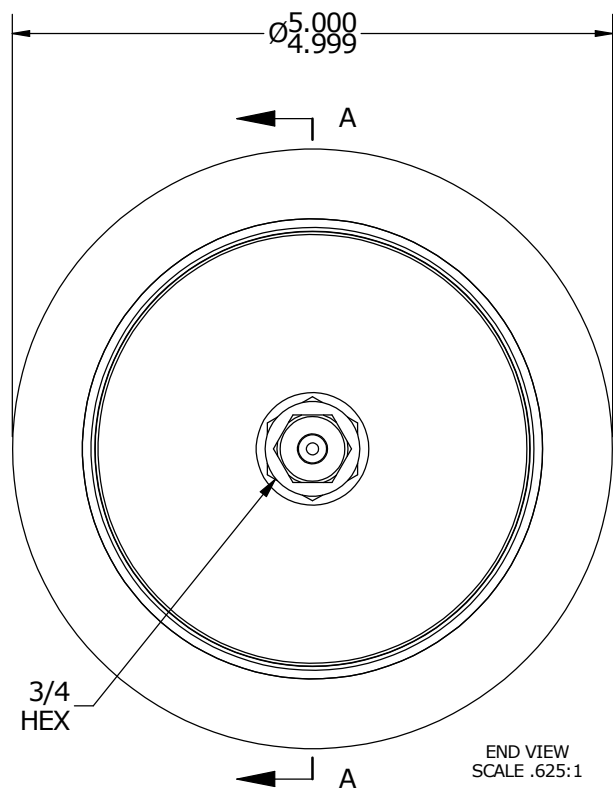
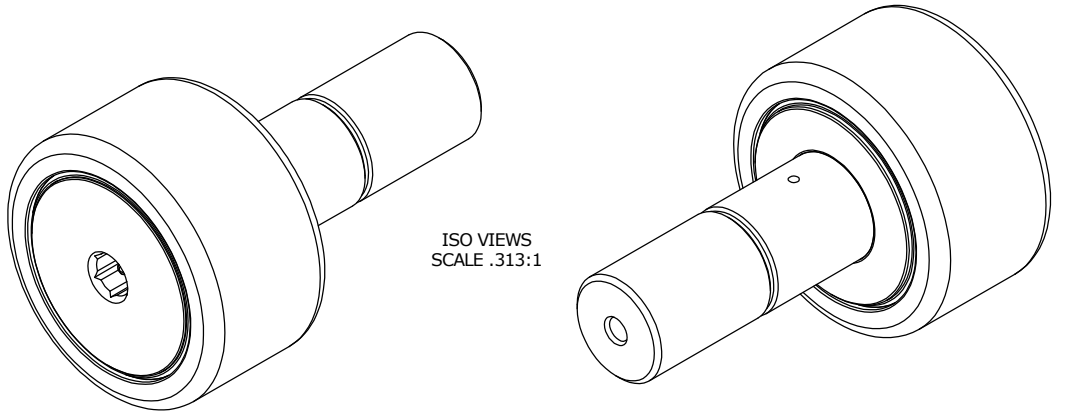


LOAD RATINGS	
RATING	Lbs
RADIAL BASIC DYNAMIC	46,575
MAXIMUM STATIC CAPACITY	67,950

**NOTES:**  
 1. BEARING IS PACKED WITH NLGI GRADE 2, LITHIUM BASED GREASE (UNLESS OTHERWISE SPECIFIED)  
 2. ALL EXPOSED SURFACES HAVE BLACK OXIDE  
 3. RADIAL NUTS PER UNINSTALLED BY CARTER

MS NO.	NSN NO.	DRAWING NO. CNB-160-SB
		LUBRICATION SUFFIX L03



**MATERIAL NOTES:**

OUTER RACE - BEARING STEEL, HEAT TREATED  
 STUD - BEARING STEEL, ZONE HARDENED  
 NEEDLE ROLLER - BEARING STEEL, HEAT TREATED  
 WASHER - COLD ROLLED STEEL, HEAT TREATED  
 SEAL - SYNTHETIC  
 ZERK (GREASE FITTING) - ALEMITE No. 1627-B

CUSTOMER PART#	XX = ± .01 XXX = ± .005 XXXX = ± .0005 ANGLES = ± 1' INCH [METRIC] FRACTION = ± 1/32
<i>ENGINEERING CHANGE ORDER NOTE</i>	

CARTER MANUFACTURING IS NOT RESPONSIBLE FOR TYPOGRAPHICAL ERRORS

REVISION	
<b>B</b>	AUTHOR BY HG
REVISION BY SGW	DATE 7/21/2014

**CARTER MANUFACTURING CO., INC.**  
 GRAND HAVEN, MICHIGAN 49417

PART NAME: ASSEMBLY

DRAWN BY	CHK'D BY	SALES	MATERIAL
GJP	MD	KR	NOTED
DATE	DATE	DATE	SHEET
8/17/2000	7/17/2014	7/17/2014	1 OF 2