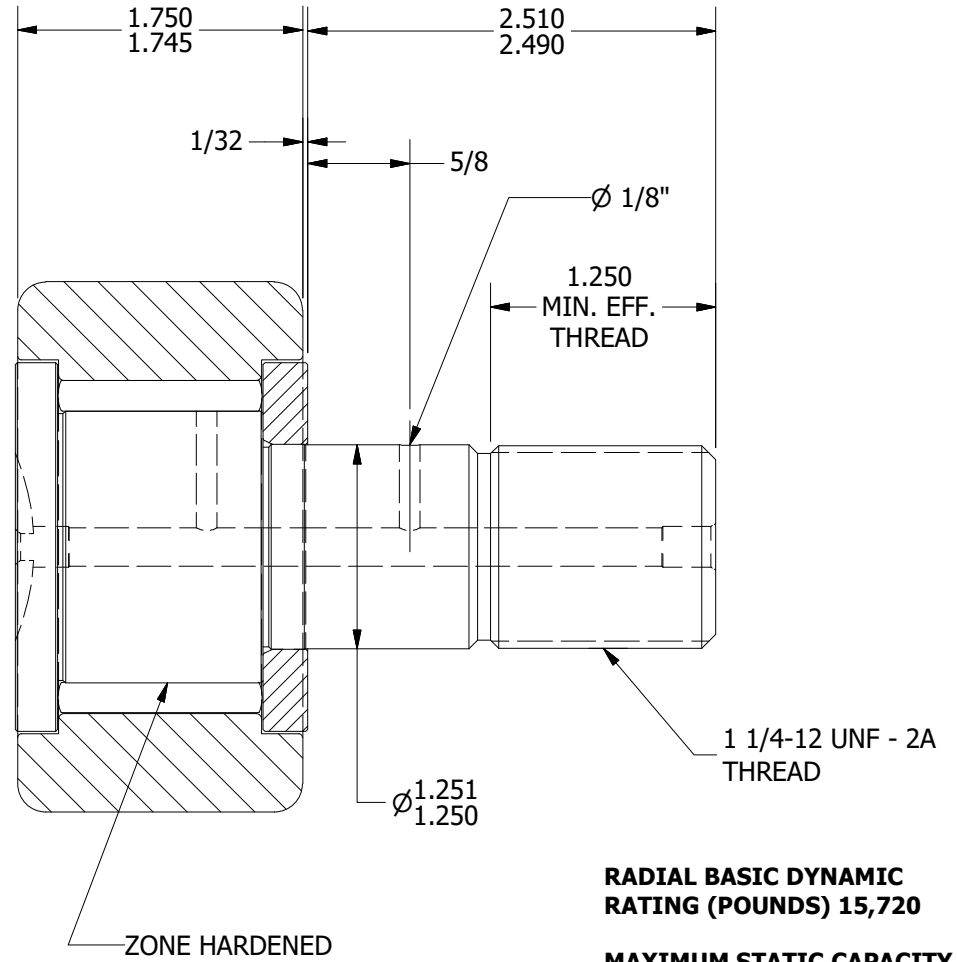
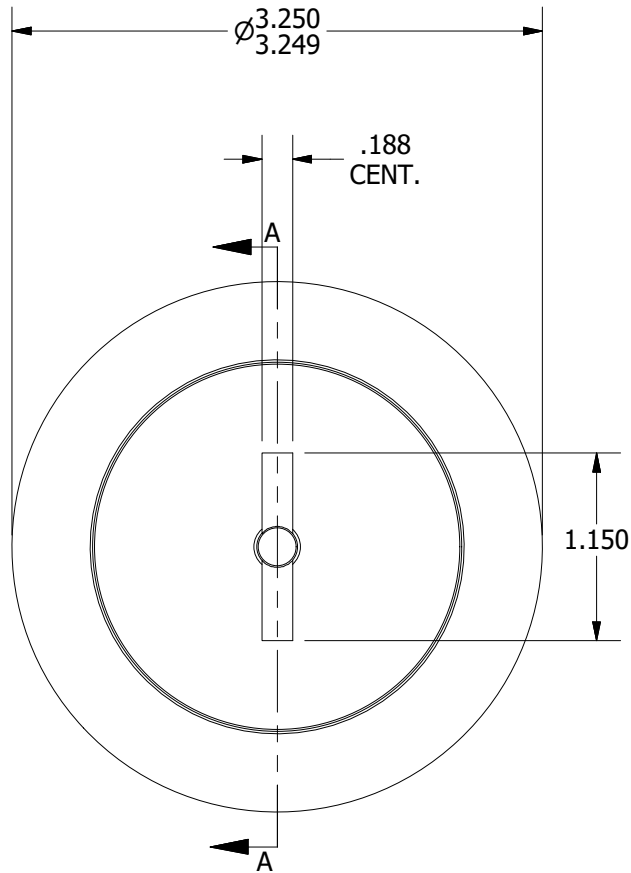
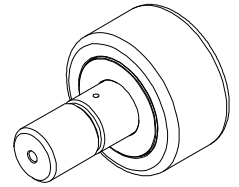


NOTES:
1. BEARING IS PACKED WITH GREASE
2. ALL EXPOSED SURFACES ARE BLACK OXIDED



RADIAL BASIC DYNAMIC RATING (POUNDS) 15,720

MAXIMUM STATIC CAPACITY (POUNDS) 24,910

MATERIAL NOTES:
OUTER - BEARING STEEL, HEAT TREATED
STUD - BEARING STEEL, ZONE HARDENED
ROLLER - BEARING STEEL, HEAT TREATED
WASHER - COLD ROLLED STEEL, HEAT TREATED

CUSTOMER PART#
 .XX = ± .01
 .XXX = ± .005
 .XXXX = ± .0005
 ANGLES = ± 1'
 INCH [METRIC]

CARTER MANUFACTURING IS NOT RESPONSIBLE FOR TYPOGRAPHICAL ERRORS

CARTER MANUFACTURING CO., INC.
 GRAND HAVEN, MICHIGAN 49417

CHANGE NOTE:

| REVISION | | PART NAME: Assembly | | | SHEET 1 OF 2 | |
|----------|-----------|----------------------------|----------|----------|--------------|----------------|
| REV. BY | DATE | AUTHOR. BY | DRAWN BY | CHK'D BY | SALES | MATERIAL |
| A | | JGV | JAF | JGV | KPR | NOTED |
| JAF | 7/10/2006 | JAF | JAF | JGV | 7/10/2006 | CNB-104 |