

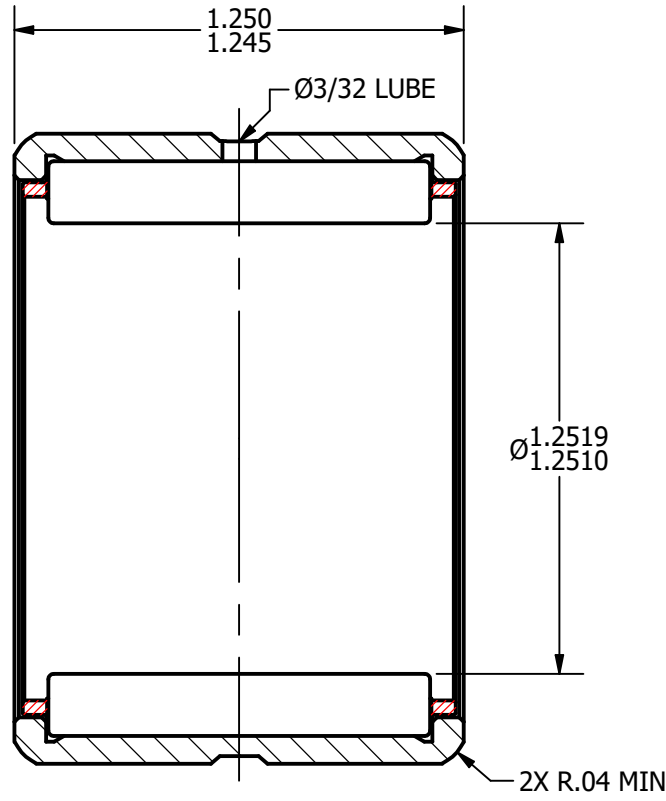
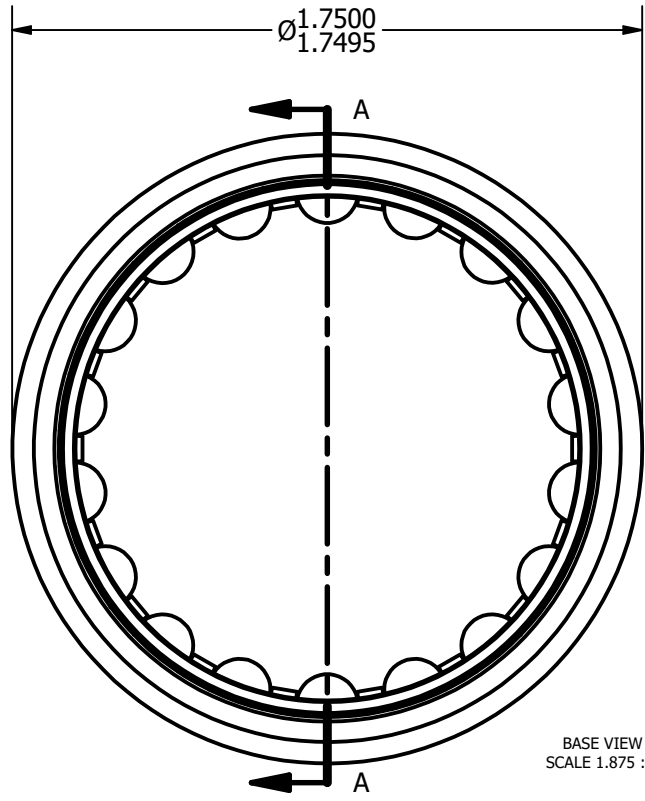
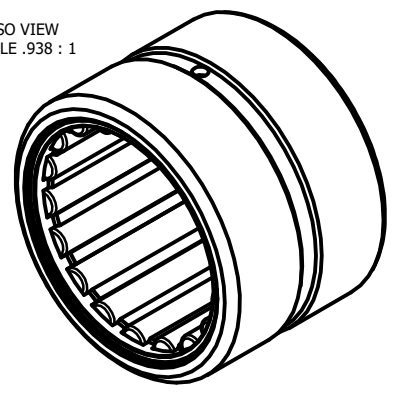
LOAD RATINGS	
RATING	Lbs
RADIAL BASIC DYNAMIC [C]	11,300
MAXIMUM STATIC CAPACITY [Co]	17,500

MS NO. MS-51961-15		DWSN NO.	
Recommended Housing Fits			
Fits	Housing Max Ø	Housing Min Ø	
Clearance	1.7507	1.7500	
Tight Transition	1.7497	1.7490	

DRAWING NO. **CMR-20**

- NOTES:
- BEARING IS LIGHTLY COATED WITH RUST/CORROSION INHIBITING OIL
 - OUTER RACE HAS BLACK OXIDE ON ALL EXPOSED SURFACES

ISO VIEW
SCALE .938 : 1



MATERIAL NOTES:

OUTER - BEARING STEEL, HEAT TREATED
 CAGE - COLD ROLLED STEEL
 ROLLER - BEARING STEEL, HEAT TREATED

CUSTOMER PART#
 McGill#MR-20
 Torrington#HJ-202820
 RBC#SJ7235

.XX = ± .01
 .XXX = ± .005
 .XXXX = ± .0005
 ANGLES = ± 1'
 INCH [METRIC]
 FRACTION = ± 1/32

CHANGE NOTE:

CARTER MANUFACTURING IS NOT RESPONSIBLE FOR TYPOGRAPHICAL ERRORS

REVISION

A	AUTHOR. BY	DRAWN BY	CHK'D BY	SALES	MATERIAL
	DB	SGW	MD	KR	NOTED
	REV. BY	DATE	DATE	DATE	DRAWING NO.
	SGW	5/3/2011	4/15/2011	5/3/2011	CMR-20

CARTER MANUFACTURING CO., INC.
 GRAND HAVEN, MICHIGAN 49417

PART NAME: ASSEMBLY SHEET 1 OF 2