

LOAD RATINGS		
RATING	lbf	Newtons
RADIAL BASIC DYNAMIC	11,720	52,133
MAXIMUM STATIC CAPACITY	32,900	146,346

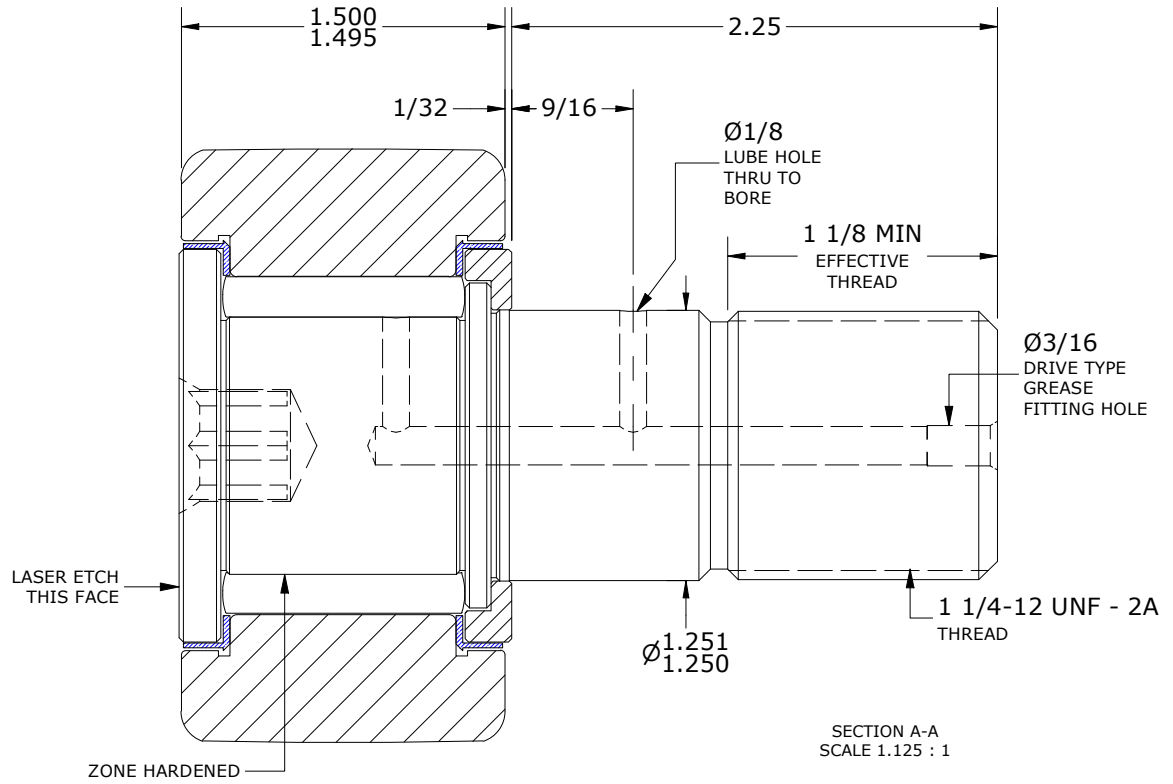
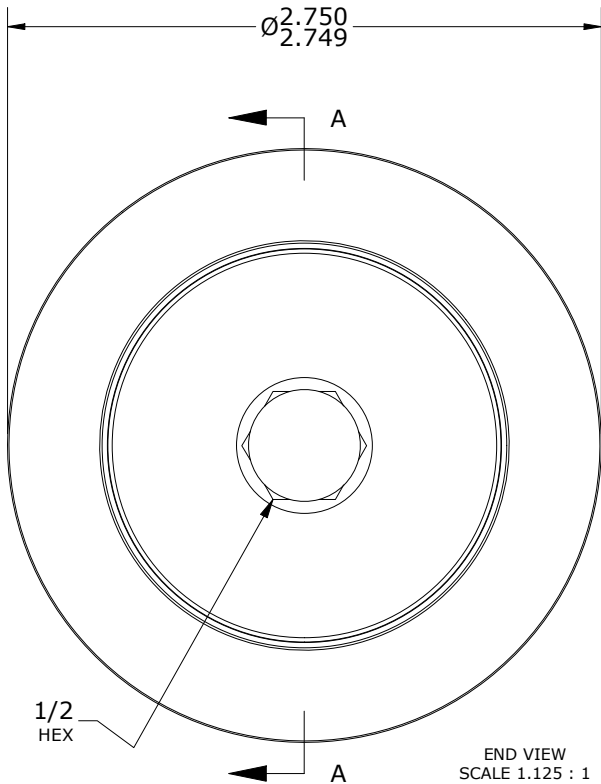
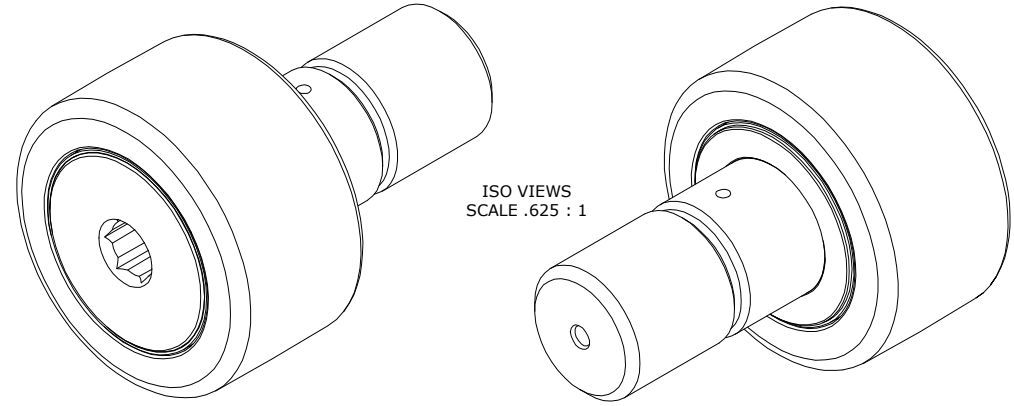
RECOMMENDED MOUNTING HOLE Ø		
Limit	Inch	mm
MIN	1.2500	31.7500
MAX	1.2505	31.7627

MAXIMUM CLAMPING TORQUE**		
Thread Type	Inch lbf	Nm
LUBRICATED	1,725	195

NOTES:

1. BEARING IS PACKED WITH NLGI GRADE 2, LITHIUM BASED GREASE (UNLESS OTHERWISE SPECIFIED)
2. ALL EXPOSED STEEL SURFACES HAVE BLACK OXIDE
3. CUSTOM LASER ETCHING UPON REQUEST
4. LIMITING SPEED:
A. GREASE = 1,050 RPM

MS NO.	NSN NO.	DRAWING NO.	CCNBH-88-SB
--------	---------	-------------	-------------



**TORQUE SPECIFICATION IS BASED ON LUBRICATED THREADS, IF USING DRY THREADS DOUBLE TORQUE VALUE

MATERIAL NOTES:

- OUTER RING - BEARING STEEL, HEAT TREATED
- STUD - BEARING STEEL, ZONE HARDENED
- NEEDLE ROLLER(S) - BEARING STEEL, HEAT TREATED
- WASHER - STEEL, HEAT TREATED
- SEAL(S) - SYNTHETIC

CUSTOMER PART#	XX = ± .01 XXX = ± .005 XXXX = ± .0005 ANGLES = ± 1' INCH [METRIC] FRACTION = ± 1/32
----------------	---

CARTER MANUFACTURING IS NOT RESPONSIBLE FOR TYPOGRAPHICAL ERRORS

CARTER MANUFACTURING CO., INC.
GRAND HAVEN, MICHIGAN 49417

ENGINEERING CHANGE ORDER NOTE

REVISION		PART NAME: ASSEMBLY		PRODUCT TYPE: CNBH	
B	AUTHOR BY HG	DRAWN BY EMD	CHK'D BY MD	SALES NC	MATERIAL NOTED
REVISION BY SGW	DATE 2/15/2021	DATE 7/11/2006	DATE 2/15/2021	DATE 2/16/2021	SHEET 1 OF 2