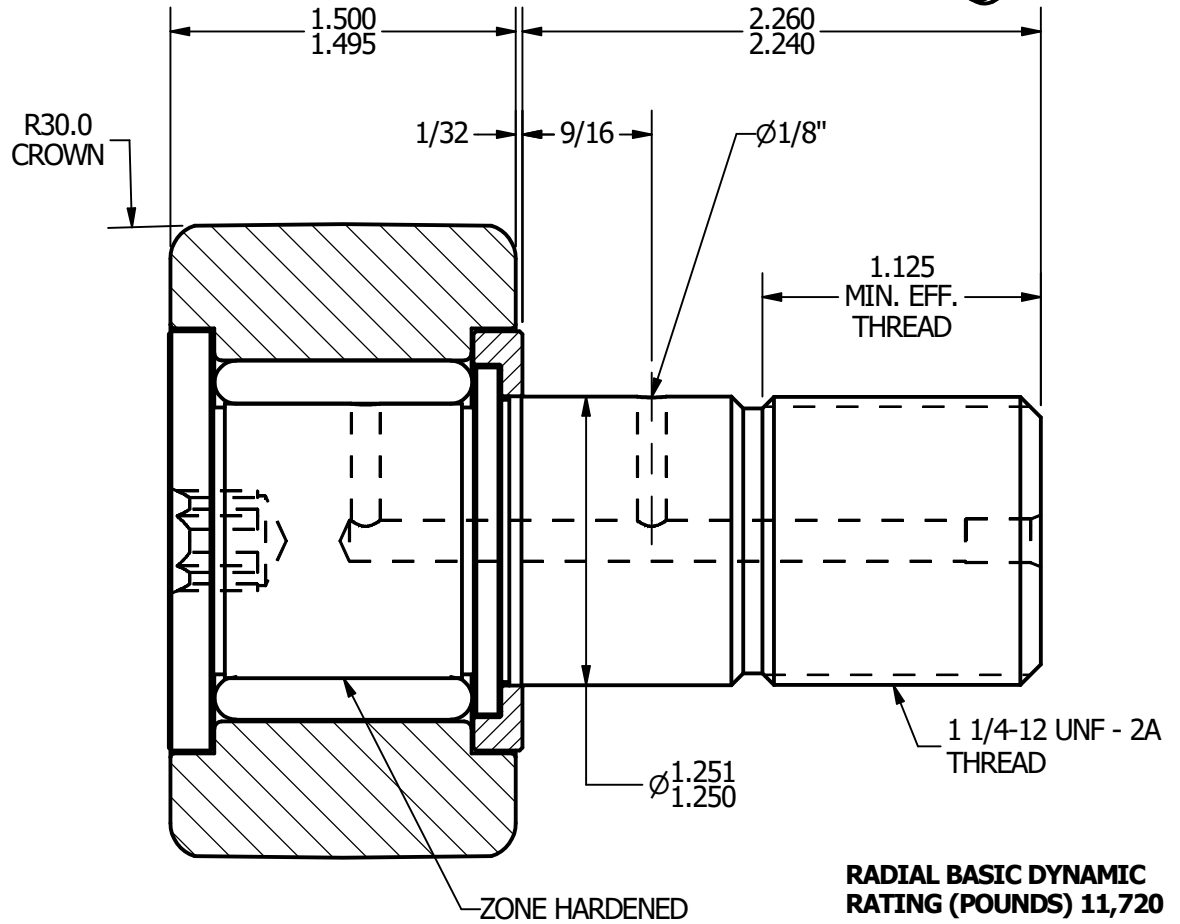
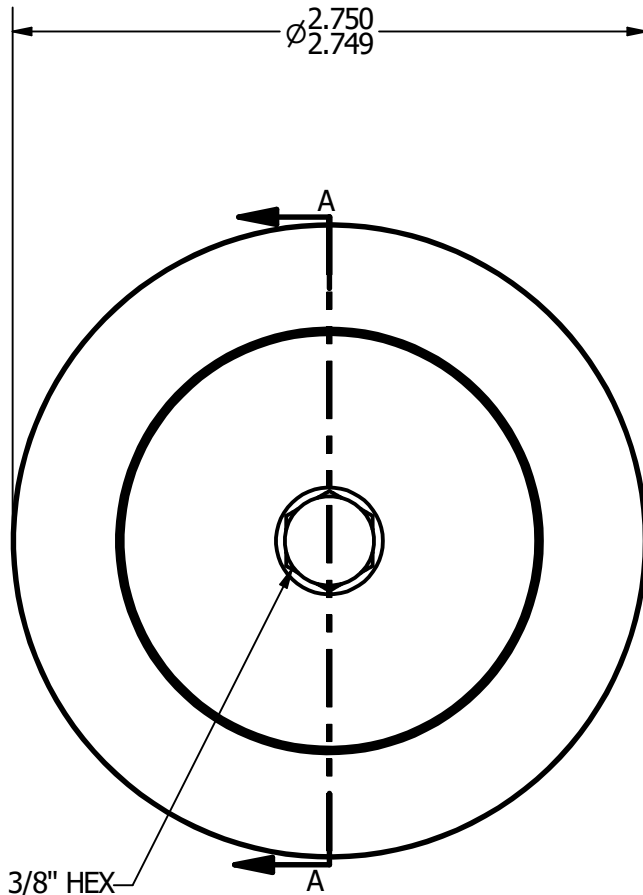
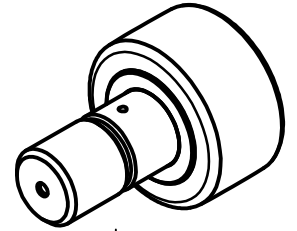


- NOTES:**
 1. BEARING IS PACKED WITH GREASE
 2. ALL EXPOSED SURFACES ARE BLACK OXIDED



RADIAL BASIC DYNAMIC RATING (POUNDS) 11,720

MAXIMUM STATIC CAPACITY (POUNDS) 32,900

MATERIAL NOTES:
 OUTER - BEARING STEEL, HEAT TREATED
 STUD - BEARING STEEL, ZONE HARDENED
 ROLLER - BEARING STEEL, HEAT TREATED
 WASHER - COLD ROLLED STEEL, HEAT TREATED

CUSTOMER PART#
 .XX = ± .01
 .XXX = ± .005
 .XXXX = ± .0005
 ANGLES = ± 1'
 INCH [METRIC]

CARTER MANUFACTURING IS NOT RESPONSIBLE FOR TYPOGRAPHICAL ERRORS

CARTER MANUFACTURING CO., INC.
 GRAND HAVEN, MICHIGAN 49417

CHANGE NOTE:

A	AUTHOR. BY	DRAWN BY	CHK'D BY	SALES	MATERIAL
	JGV	EMD	JGV	KPR	NOTED
	REV. BY	DATE	DATE	DATE	DRAWING NO.
	EMD	7/11/2006	7/11/2006	7/11/2006	CCNBH-88-B

REVISION		PART NAME: Assembly			SHEET 1 OF 2
A	AUTHOR. BY	DRAWN BY	CHK'D BY	SALES	MATERIAL
	JGV	EMD	JGV	KPR	NOTED
	REV. BY	DATE	DATE	DATE	DRAWING NO.
	EMD	7/11/2006	7/11/2006	7/11/2006	CCNBH-88-B