

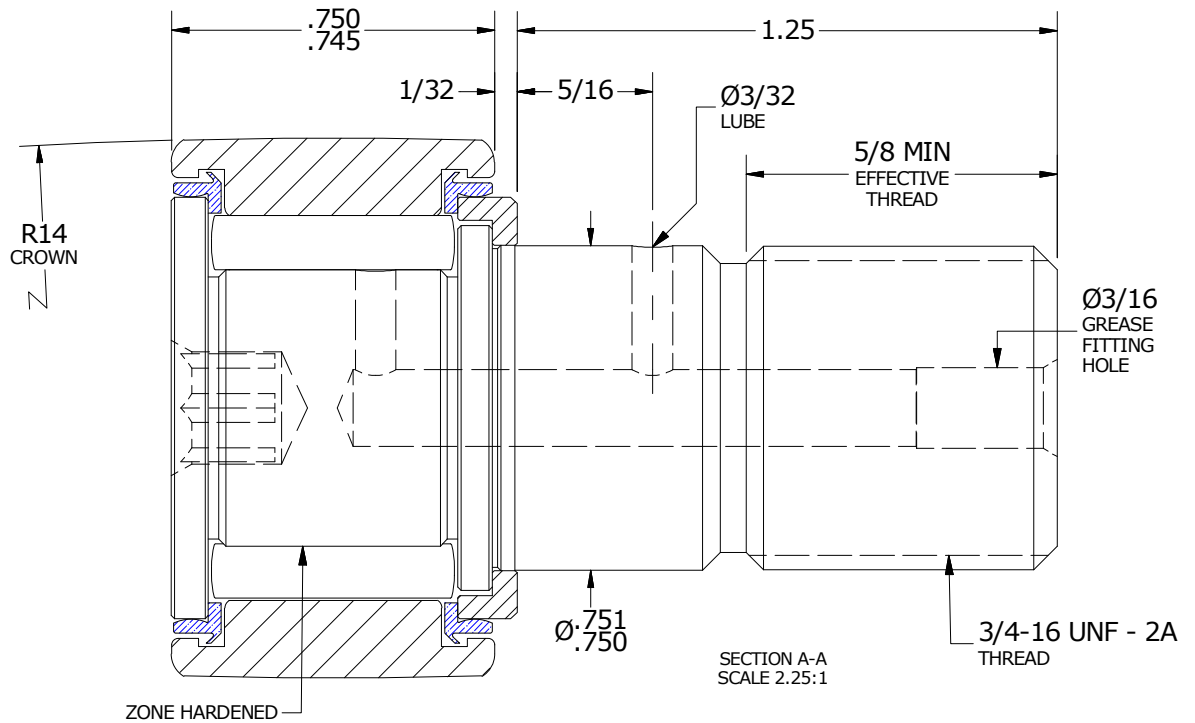
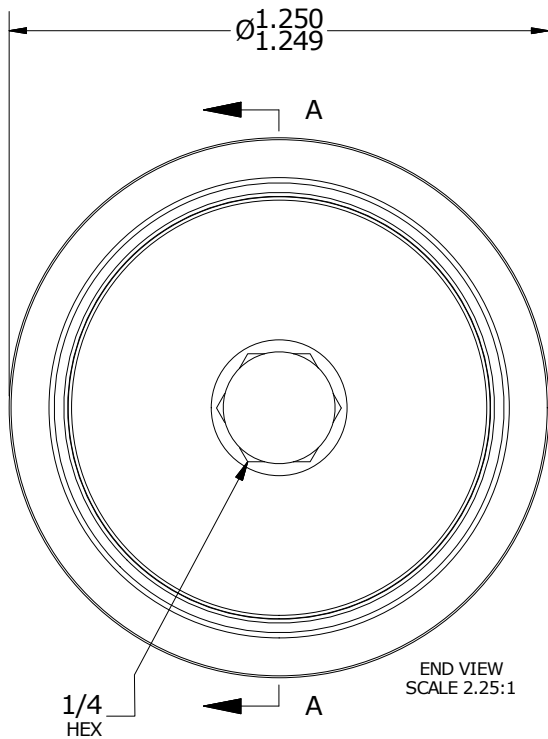
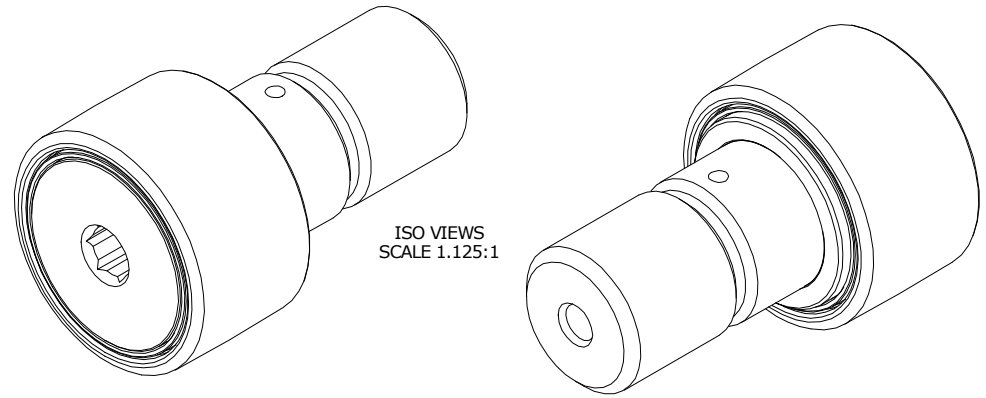
| LOAD RATINGS            |       |         |
|-------------------------|-------|---------|
| RATING                  | lbf   | Newtons |
| RADIAL BASIC DYNAMIC    | 3,930 | 17,481  |
| MAXIMUM STATIC CAPACITY | 8,500 | 37,810  |

- NOTES:
- BEARING IS PACKED WITH NLGI GRADE 2, LITHIUM BASED GREASE (UNLESS OTHERWISE SPECIFIED)
  - ALL EXPOSED STEEL SURFACES HAVE BLACK OXIDE
  - LIMITING SPEED:  
A. GREASE = 3,100 RPM

|        |         |             |
|--------|---------|-------------|
| MS NO. | NSN NO. | DRAWING NO. |
|--------|---------|-------------|

| RECOMMENDED MOUNTING HOLE Ø |       |         |
|-----------------------------|-------|---------|
| Limit                       | Inch  | mm      |
| MIN                         | .7500 | 19.0500 |
| MAX                         | .7505 | 19.0627 |

| MAXIMUM CLAMPING TORQUE |          |      |
|-------------------------|----------|------|
| Thread Type             | Inch Lbs | Nm   |
| DRY                     | 1,250    | 141  |
| LUBRICATED              | 625      | 70.5 |



MATERIAL NOTES:

- OUTER RING - BEARING STEEL, HEAT TREATED
- STUD - BEARING STEEL, ZONE HARDENED
- NEEDLE ROLLER(S) - BEARING STEEL, HEAT TREATED
- WASHER - BEARING STEEL, HEAT TREATED
- SEAL(S) - SYNTHETIC

|                               |   |
|-------------------------------|---|
| CUSTOMER PART#                | XX = ± .01<br>XXX = ± .005<br>XXXX = ± .0005<br>ANGLES = ± 1'<br>INCH [METRIC]<br>FRACTION = ± 1/32 |
| ENGINEERING CHANGE ORDER NOTE |   |

CARTER MANUFACTURING IS NOT RESPONSIBLE FOR TYPOGRAPHICAL ERRORS

**CARTER MANUFACTURING CO., INC.**  
GRAND HAVEN, MICHIGAN 49417

| REVISION           |                  | PART NAME: ASSEMBLY |                  |                   | PRODUCT TYPE: CNB |  |
|--------------------|------------------|---------------------|------------------|-------------------|-------------------|--|
| <b>D</b>           | AUTHOR BY<br>MD  | DRAWN BY<br>KPR     | CHK'D BY<br>MD   | SALES<br>HG       | MATERIAL<br>NOTED |  |
| REVISION BY<br>SGW | DATE<br>6/7/2016 | DATE<br>11/3/1993   | DATE<br>6/2/2016 | DATE<br>6/13/2016 | SHEET<br>1 OF 2   |  |