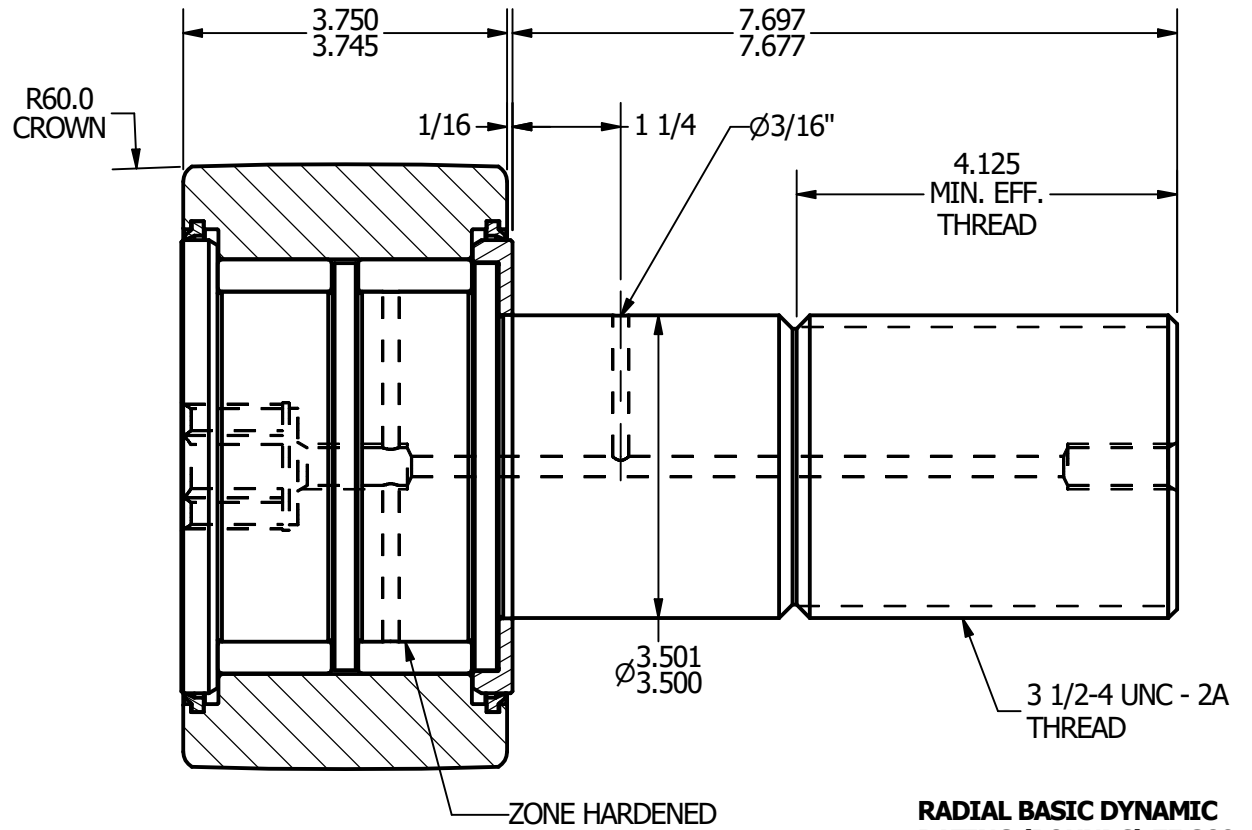
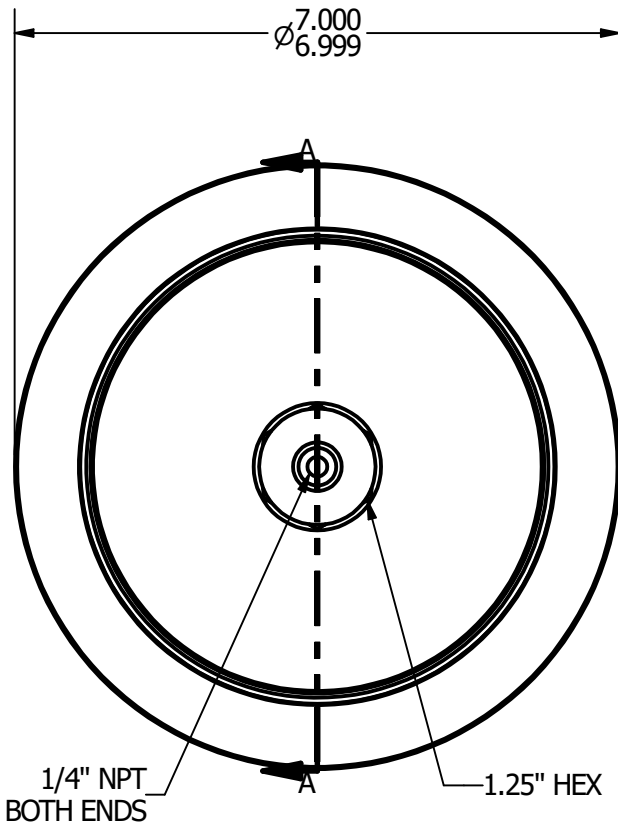
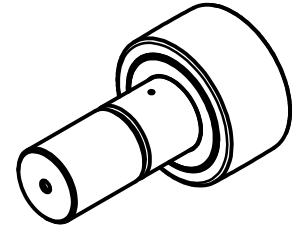


NOTES:
 1. BEARING IS PACKED WITH GREASE
 2. ALL EXPOSED SURFACES ARE BLACK OXIDED



RADIAL BASIC DYNAMIC RATING (POUNDS) 75,380

MAXIMUM STATIC CAPACITY (POUNDS) 213,860

MATERIAL NOTES:
 OUTER - BEARING STEEL, HEAT TREATED
 STUD - BEARING STEEL, ZONE HARDENED
 ROLLER - BEARING STEEL, HEAT TREATED
 WASHER - COLD ROLLED STEEL, HEAT TREATED
 SEAL - SYNTHETIC

CUSTOMER PART#
 .XX = $\pm .01$
 .XXX = $\pm .005$
 .XXXX = $\pm .0005$
 ANGLES = ± 1
 INCH [METRIC]
 CHANGE NOTE:

CARTER MANUFACTURING IS NOT RESPONSIBLE FOR TYPOGRAPHICAL ERRORS

CARTER MANUFACTURING CO., INC.
 GRAND HAVEN, MICHIGAN 49417

REVISION		PART NAME: ASSEMBLY			SHEET 1 OF 2
A	AUTHOR. BY	DRAWN BY	CHK'D BY	SALES	MATERIAL
	EMD	EMD			NOTED
	REV. BY	DATE	DATE	DATE	DRAWING NO.
EMD		7/18/2006			CCNBH-224-SB