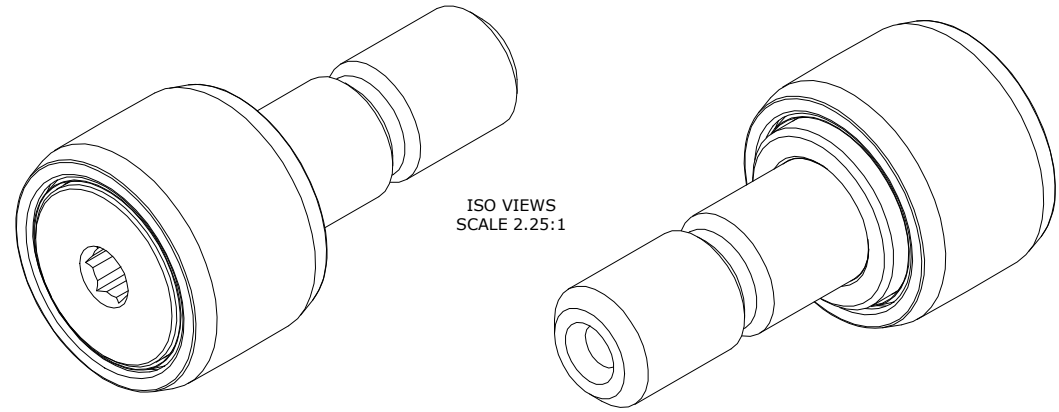


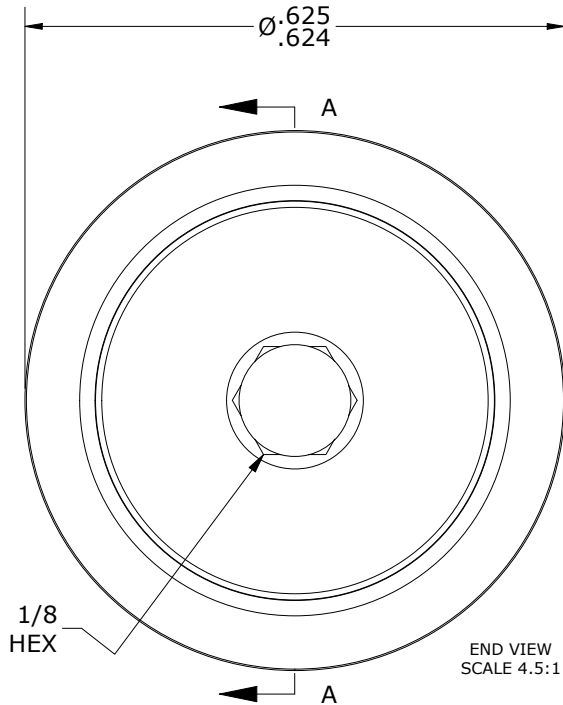
LOAD RATINGS	
RATING	Lbs
RADIAL BASIC DYNAMIC	955
MAXIMUM STATIC CAPACITY	2,480

- NOTES:
 1. BEARING IS PACKED WITH NLGI GRADE 2, LITHIUM BASED GREASE
 2. ALL EXPOSED SURFACES HAVE BLACK OXIDE

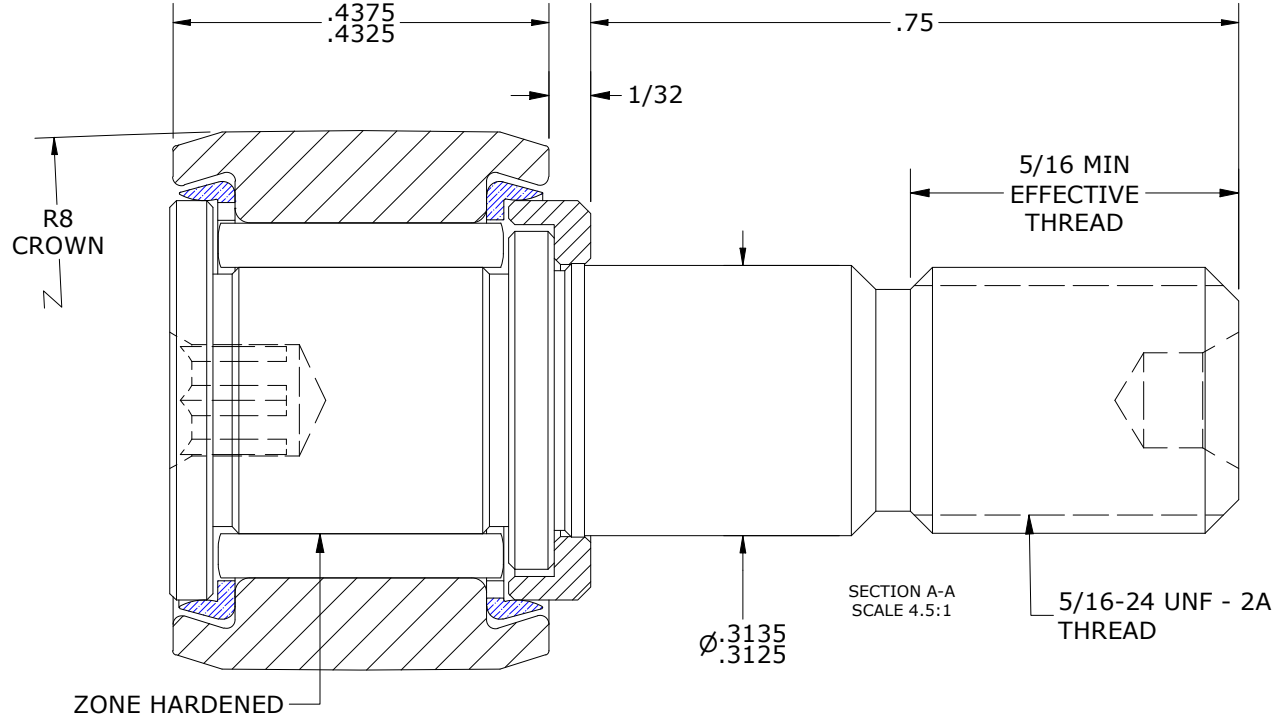
MS NO. _____ NSN NO. _____ DRAWING NO. CCNBH-20-SB



ISO VIEWS
SCALE 2.25:1



END VIEW
SCALE 4.5:1



SECTION A-A
SCALE 4.5:1

MATERIAL NOTES:

- OUTER RACE - BEARING STEEL, HEAT TREATED
- STUD - BEARING STEEL, ZONE HARDENED
- NEEDLE ROLLER - BEARING STEEL, HEAT TREATED
- WASHER - COLD ROLLED STEEL, HEAT TREATED
- SEAL - SYNTHETIC

CUSTOMER PART#

XX = ± .01
 XXX = ± .005
 XXXX = ± .0005
 ANGLES = ± 1'
 INCH [METRIC]
 FRACTION = ± 1/32

CARTER MANUFACTURING IS NOT RESPONSIBLE FOR TYPOGRAPHICAL ERRORS

CARTER MANUFACTURING CO., INC.
 GRAND HAVEN, MICHIGAN 49417

ENGINEERING CHANGE ORDER NOTE

REVISION

PART NAME: ASSEMBLY

REVISION BY	DATE	DRAWN BY	CHK'D BY	SALES	MATERIAL
B	HG	EMD	MD	KR	NOTED
REVISION BY	DATE	DATE	DATE	DATE	SHEET
SGW	5/12/2014	6/20/2006	5/12/2014	5/12/2014	1 OF 2