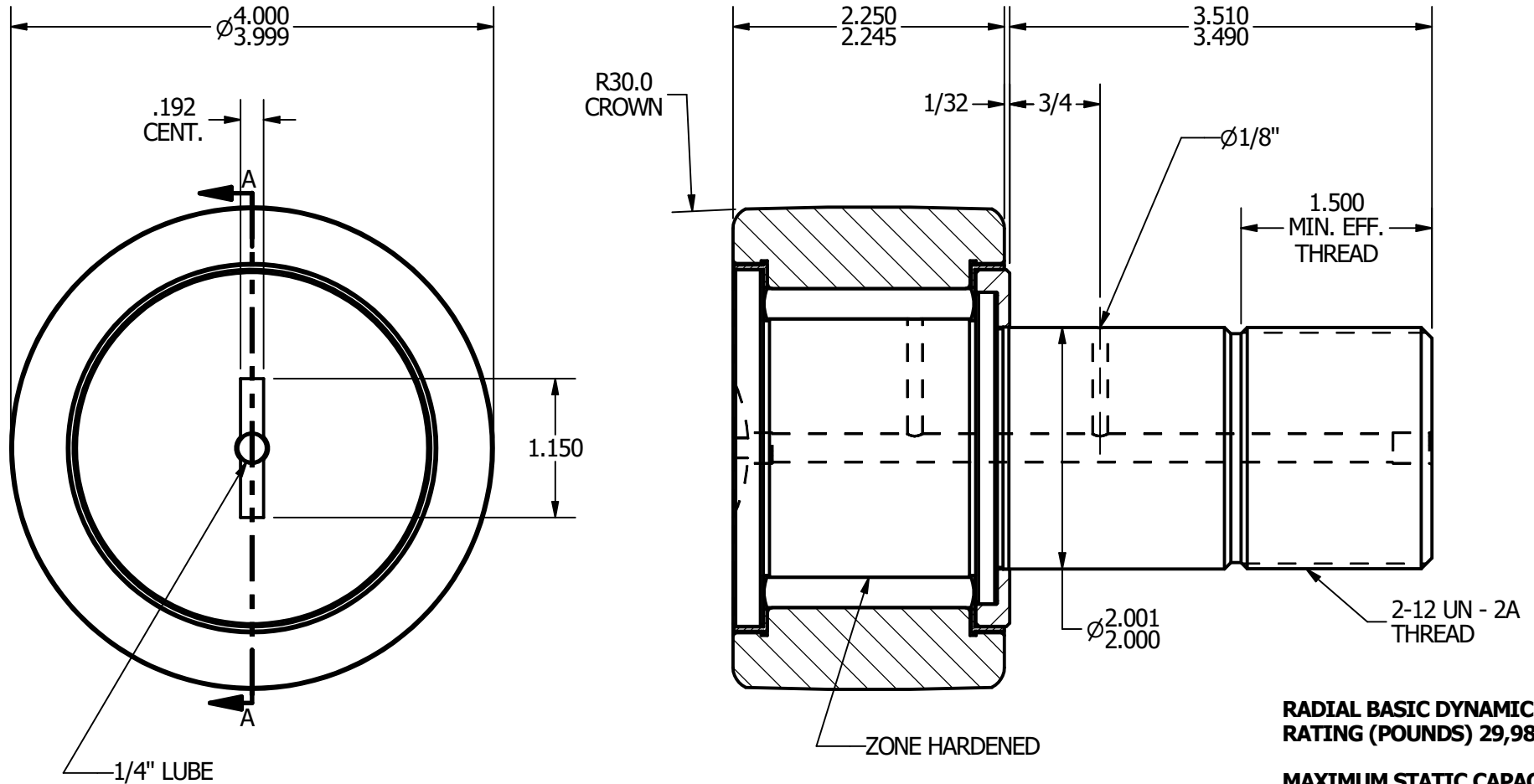
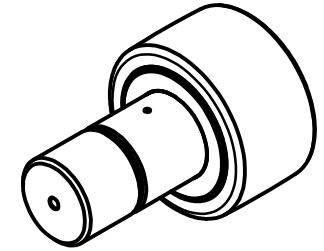


- NOTES:**  
 1. BEARING IS PACKED WITH GREASE  
 2. ALL EXPOSED SURFACES ARE BLACK OXIDED



**RADIAL BASIC DYNAMIC RATING (POUNDS) 29,985**

**MAXIMUM STATIC CAPACITY (POUNDS) 89,540**

**MATERIAL NOTES:**

- OUTER - BEARING STEEL, HEAT TREATED**
- STUD - BEARING STEEL, ZONE HARDENED**
- ROLLER - BEARING STEEL, HEAT TREATED**
- WASHER - COLD ROLLED STEEL, HEAT TREATED**
- SEAL - SYNTHETIC**

CUSTOMER PART#

.XX =  $\pm .01$   
 .XXX =  $\pm .005$   
 .XXXX =  $\pm .0005$   
 ANGLES =  $\pm 1'$   
 INCH [METRIC]

CARTER MANUFACTURING IS NOT RESPONSIBLE FOR TYPOGRAPHICAL ERRORS

**CARTER MANUFACTURING CO., INC.**

GRAND HAVEN, MICHIGAN 49417

REVISION

PART NAME: Assembly

SHEET 1 OF 2

CHANGE NOTE:

**A**

REV. BY

GJP

AUTHOR. BY

BMC

DATE

10/5/2000

DRAWN BY

GJP

DATE

8/15/2000

CHK'D BY

BMC

DATE

10/5/2000

SALES

KPR

DATE

10/5/2000

MATERIAL

NOTED

DRAWING NO.

CCNBH-128-S