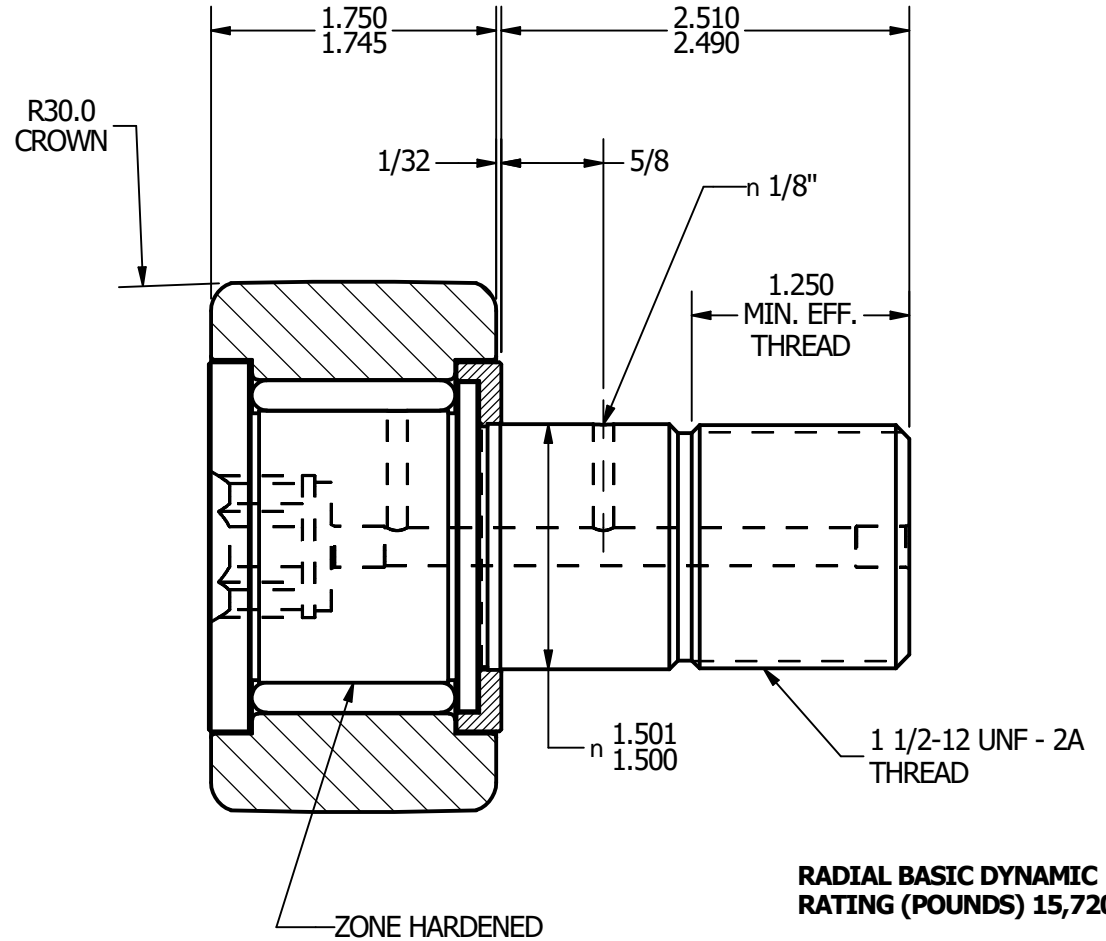
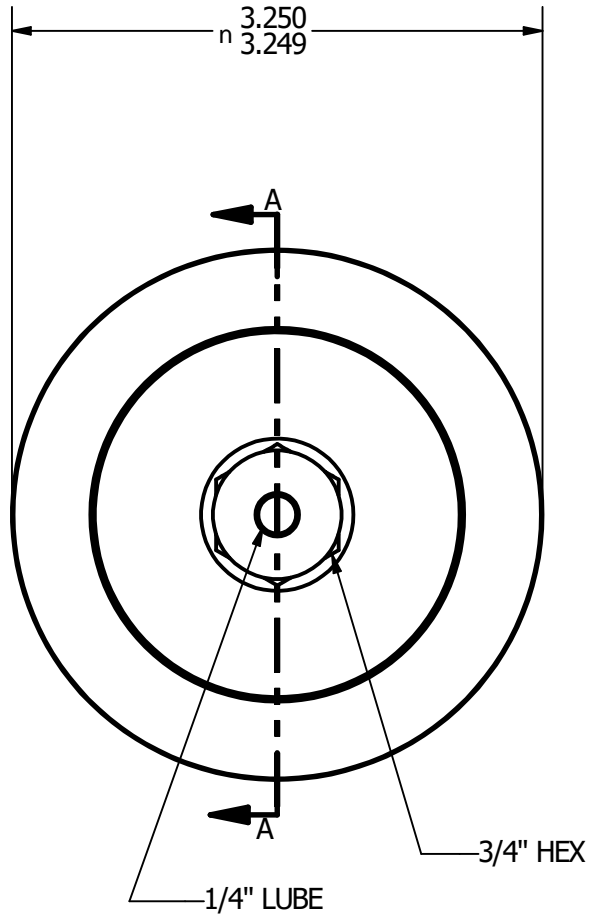
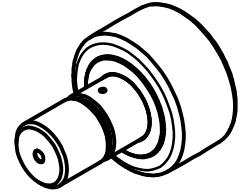


- NOTES:**
 1. BEARING IS PACKED WITH GREASE
 2. ALL EXPOSED SURFACES ARE BLACK OXIDED



RADIAL BASIC DYNAMIC RATING (POUNDS) 15,720

MAXIMUM STATIC CAPACITY (POUNDS) 49,820

MATERIAL NOTES:
 OUTER - BEARING STEEL, HEAT TREATED
 STUD - BEARING STEEL, ZONE HARDENED
 ROLLER - BEARING STEEL, HEAT TREATED
 WASHER - COLD ROLLED STEEL, HEAT TREATED

CUSTOMER PART#

.XX = .01
 .XXX = .005
 .XXXX = .0005
 ANGLES = 1°
 INCH [METRIC]

CARTER MANUFACTURING IS NOT RESPONSIBLE FOR TYPOGRAPHICAL ERRORS

CARTER MANUFACTURING CO., INC.

GRAND HAVEN, MICHIGAN 49417

REVISION

PART NAME: Assembly

SHEET 1 OF 2

CHANGE NOTE:

A

REV. BY

AUTHOR. BY

DRAWN BY

CHK'D BY

SALES

MATERIAL

JGV

JAF

JGV

KPR

NOTED

DATE

DATE

DATE

DATE

DRAWING NO.

7/10/2006

7/10/2006

7/10/2006

7/10/2006

CCNBH-104-B