

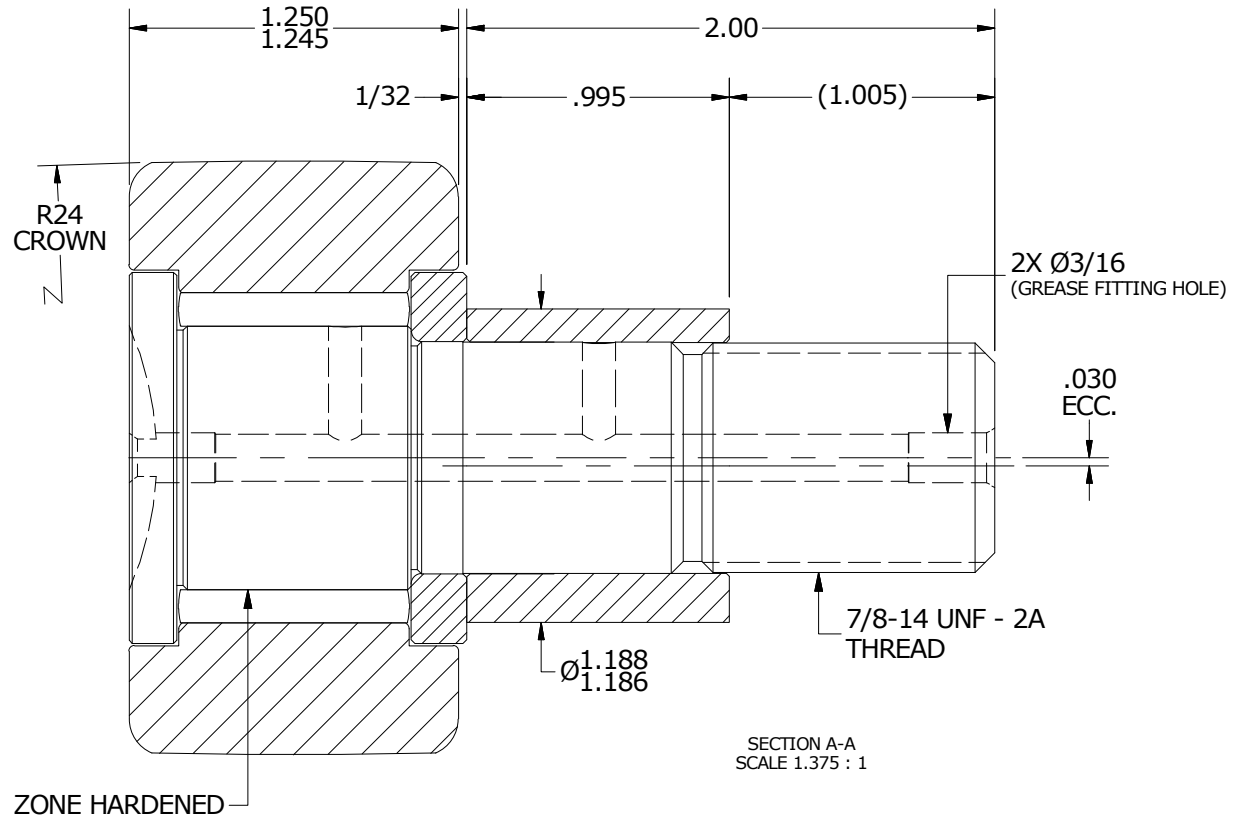
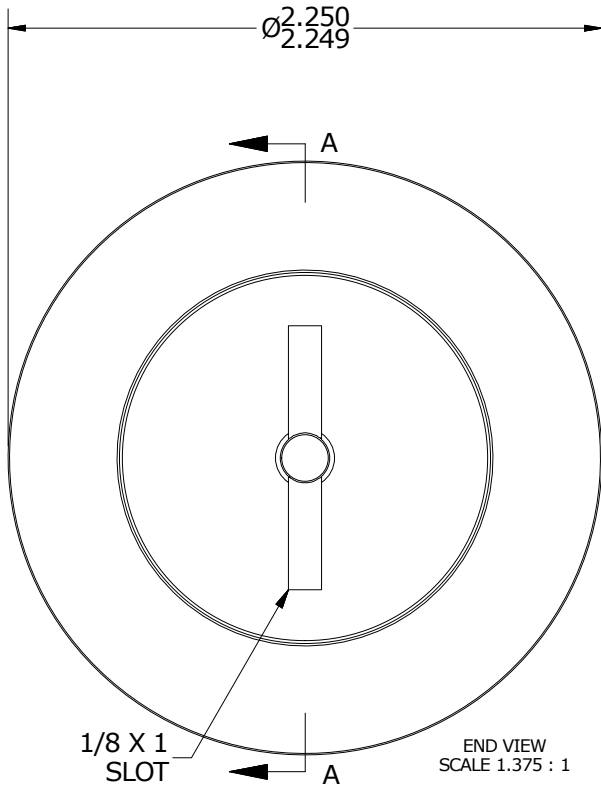
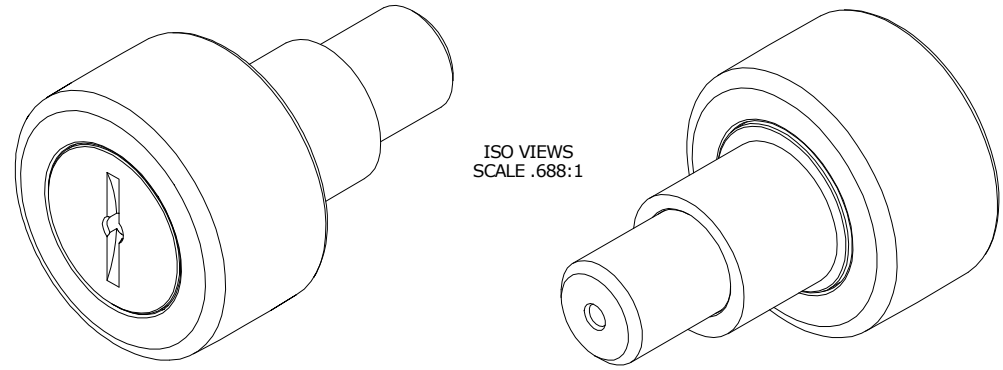
LOAD RATINGS		
RATING	lbf	Newtons
RADIAL BASIC DYNAMIC	8,090	35,986
MAXIMUM STATIC CAPACITY	10,570	47,018

RECOMMENDED MOUNTING HOLE Ø		
Limit	Inch	mm
MIN	1.189	30.2006
MAX	1.191	30.2514

- NOTES:
1. BEARING IS PACKED WITH NLGI GRADE 2, LITHIUM BASED GREASE (UNLESS OTHERWISE SPECIFIED)
  2. ALL EXPOSED SURFACES HAVE BLACK OXIDE
  3. LIMITING SPEED:  
A. GREASE = 1,400 RPM

MAXIMUM CLAMPING TORQUE		
Thread Type	Inch Lbs	Nm
DRY	1500	169.5
LUBRICATED	750	84.7

MS NO. \_\_\_\_\_ NSN NO. \_\_\_\_\_ DRAWING NO. CCNBE-72



MATERIAL NOTES:

- OUTER RING - BEARING STEEL, HEAT TREATED
- STUD - BEARING STEEL, ZONE HARDENED
- NEEDLE ROLLER(S) - BEARING STEEL, HEAT TREATED
- WASHER - BEARING STEEL, HEAT TREATED
- ECCENTRIC SLEEVE - STEEL

CUSTOMER PART#  
 XX = ± .01  
 XXX = ± .005  
 XXXX = ± .0005  
 ANGLES = ± 1'  
 INCH [METRIC]  
 FRACTION = ± 1/32

CARTER MANUFACTURING IS NOT RESPONSIBLE FOR TYPOGRAPHICAL ERRORS

**CARTER MANUFACTURING CO., INC.**  
 GRAND HAVEN, MICHIGAN 49417

ENGINEERING CHANGE ORDER NOTE		REVISION		PART NAME: ASSEMBLY		PRODUCT TYPE: CNB	
	<b>B</b>	AUTHOR BY	DRAWN BY	CHK'D BY	SALES	MATERIAL	
		HG	EMD	MD	KR	NOTED	
	REVISION BY	DATE	DATE	DATE	DATE	SHEET	
	JLB	8/2/2018	7/12/2006	8/2/2018	8/1/2018	1 OF 2	