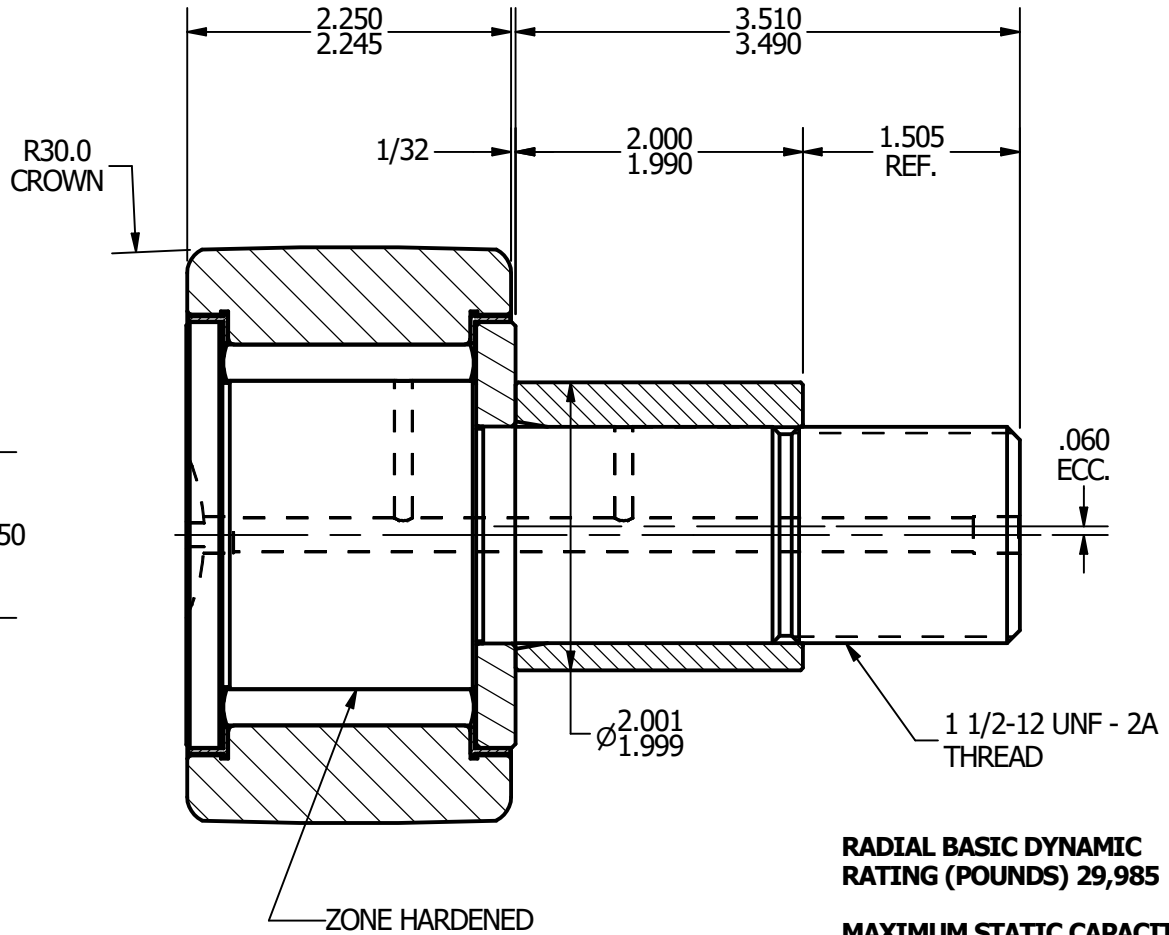
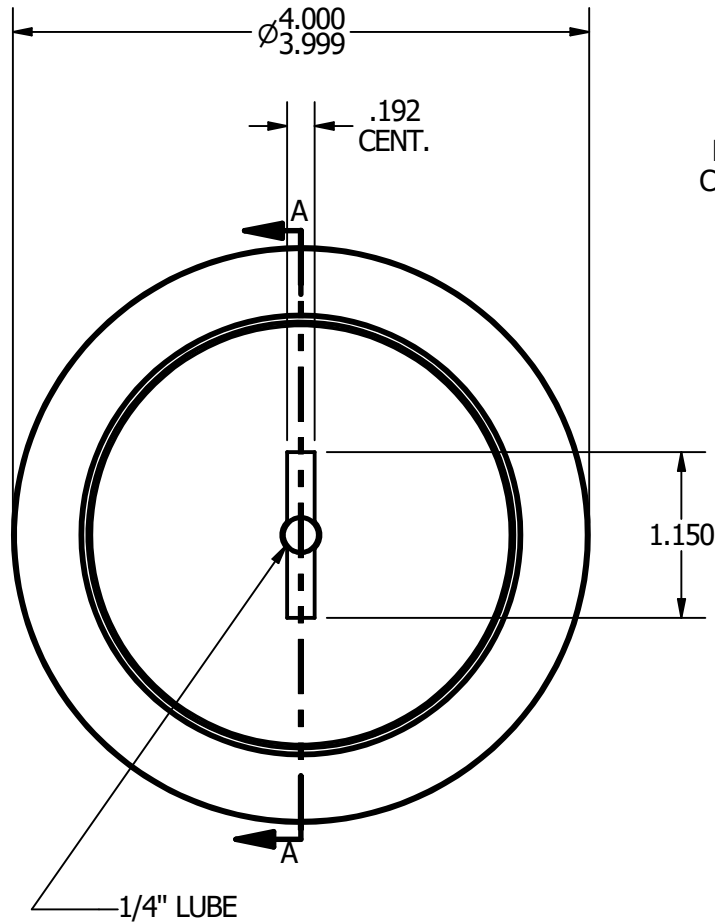
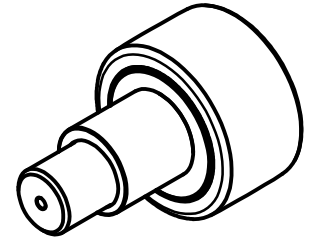


- NOTES:**
 1. BEARING IS PACKED WITH GREASE
 2. ALL EXPOSED SURFACES ARE BLACK OXIDED



RADIAL BASIC DYNAMIC RATING (POUNDS) 29,985

MAXIMUM STATIC CAPACITY (POUNDS) 44,770

MATERIAL NOTES:

- OUTER - BEARING STEEL, HEAT TREATED
- STUD - BEARING STEEL, ZONE HARDENED
- ROLLER - BEARING STEEL, HEAT TREATED
- WASHER - COLD ROLLED STEEL, HEAT TREATED
- ECCENTRIC SLEEVE - COLD ROLLED STEEL
- SEAL - SYNTHETIC

CUSTOMER PART#

.XX = ± .01
 .XXX = ± .005
 .XXXX = ± .0005
 ANGLES = ± 1'
 INCH [METRIC]

CARTER MANUFACTURING IS NOT RESPONSIBLE FOR TYPOGRAPHICAL ERRORS

CARTER MANUFACTURING CO., INC.

GRAND HAVEN, MICHIGAN 49417

REVISION

PART NAME: Assembly

SHEET 1 OF 2

A

REV. BY

GJP

AUTHOR. BY

BMC

DATE

10/6/2000

DRAWN BY

GJP

DATE

8/15/2000

CHK'D BY

BMC

DATE

10/6/2000

SALES

KPR

DATE

10/5/2000

MATERIAL

NOTED

DRAWING NO.

CCNBE-128-S