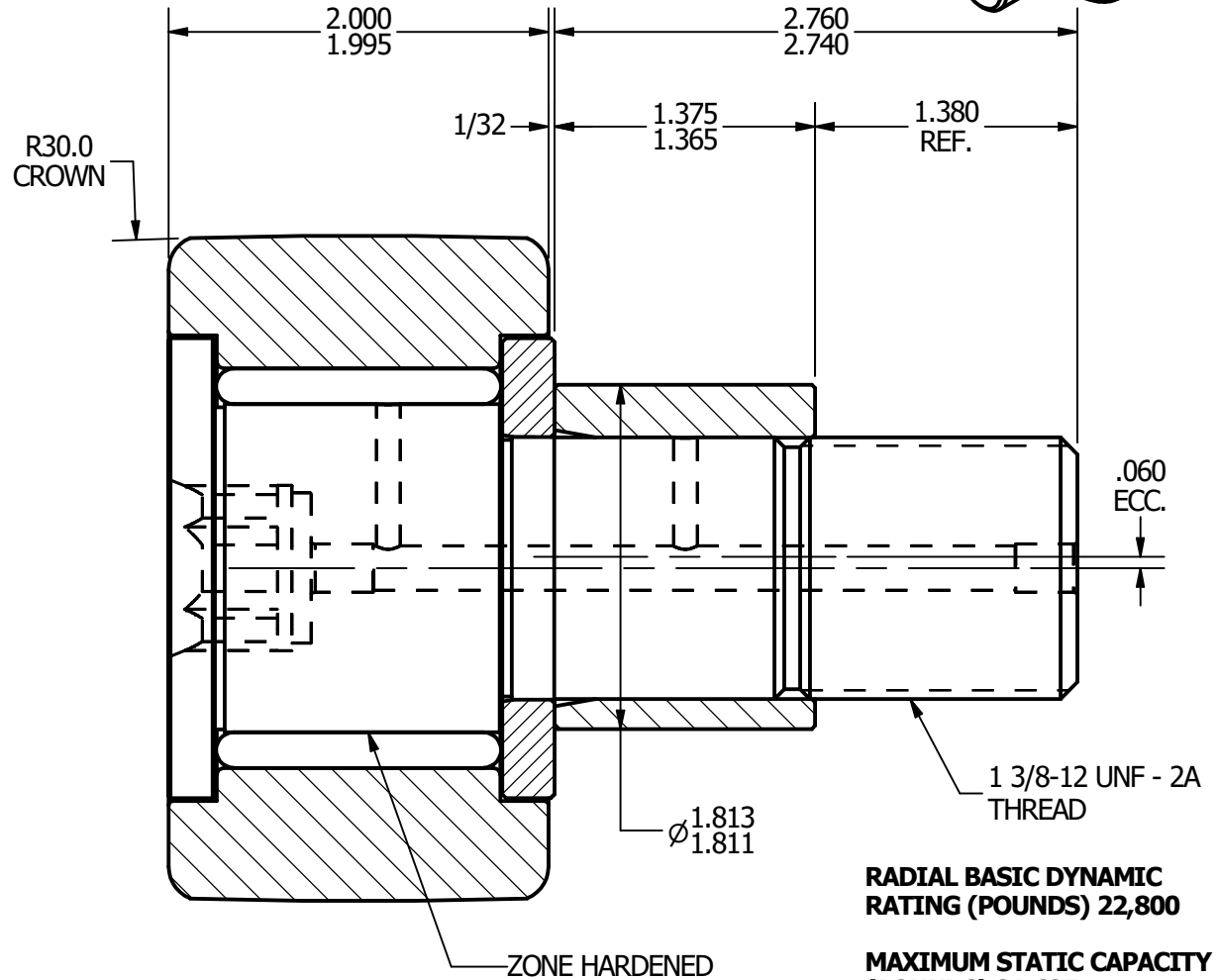
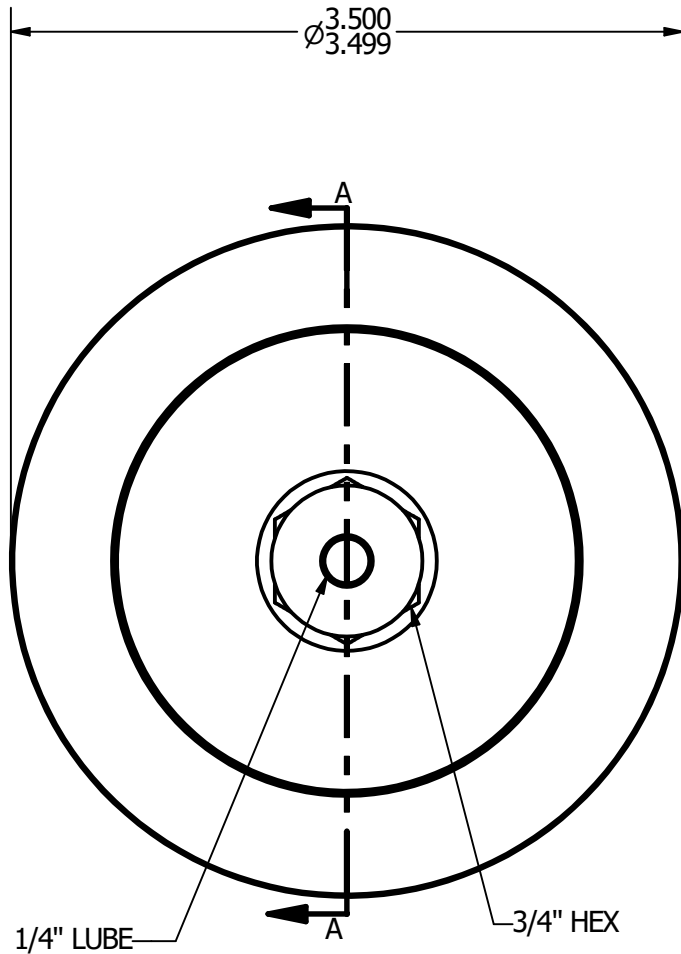
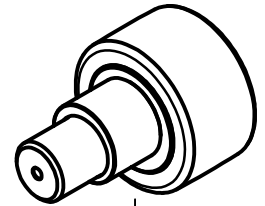


- NOTES:**
1. BEARING IS PACKED WITH GREASE
2. ALL EXPOSED SURFACES ARE BLACK OXIDED



RADIAL BASIC DYNAMIC RATING (POUNDS) 22,800

MAXIMUM STATIC CAPACITY (POUNDS) 31,625

MATERIAL NOTES:

- OUTER - BEARING STEEL, HEAT TREATED**
- STUD - BEARING STEEL, ZONE HARDENED**
- ROLLER - BEARING STEEL, HEAT TREATED**
- WASHER - COLD ROLLED STEEL, HEAT TREATED**
- ECCENTRIC SLEEVE - COLD ROLLED STEEL**

CUSTOMER PART#

.XX = ± .01
 .XXX = ± .005
 .XXXX = ± .0005
 ANGLES = ± 1'
 INCH [METRIC]

CARTER MANUFACTURING IS NOT RESPONSIBLE FOR TYPOGRAPHICAL ERRORS

CARTER MANUFACTURING CO., INC.

GRAND HAVEN, MICHIGAN 49417

REVISION

PART NAME: **Assembly**

SHEET 1 OF 2

CHANGE NOTE:

A

AUTHOR. BY

DRAWN BY

CHK'D BY

SALES

MATERIAL

JGV

EMD

JGV

KPR

NOTED

REV. BY

DATE

DATE

DATE

DATE

DRAWING NO.

EMD

7/7/2006

7/7/2006

7/7/2006

7/7/2006

CCNBE-112-B