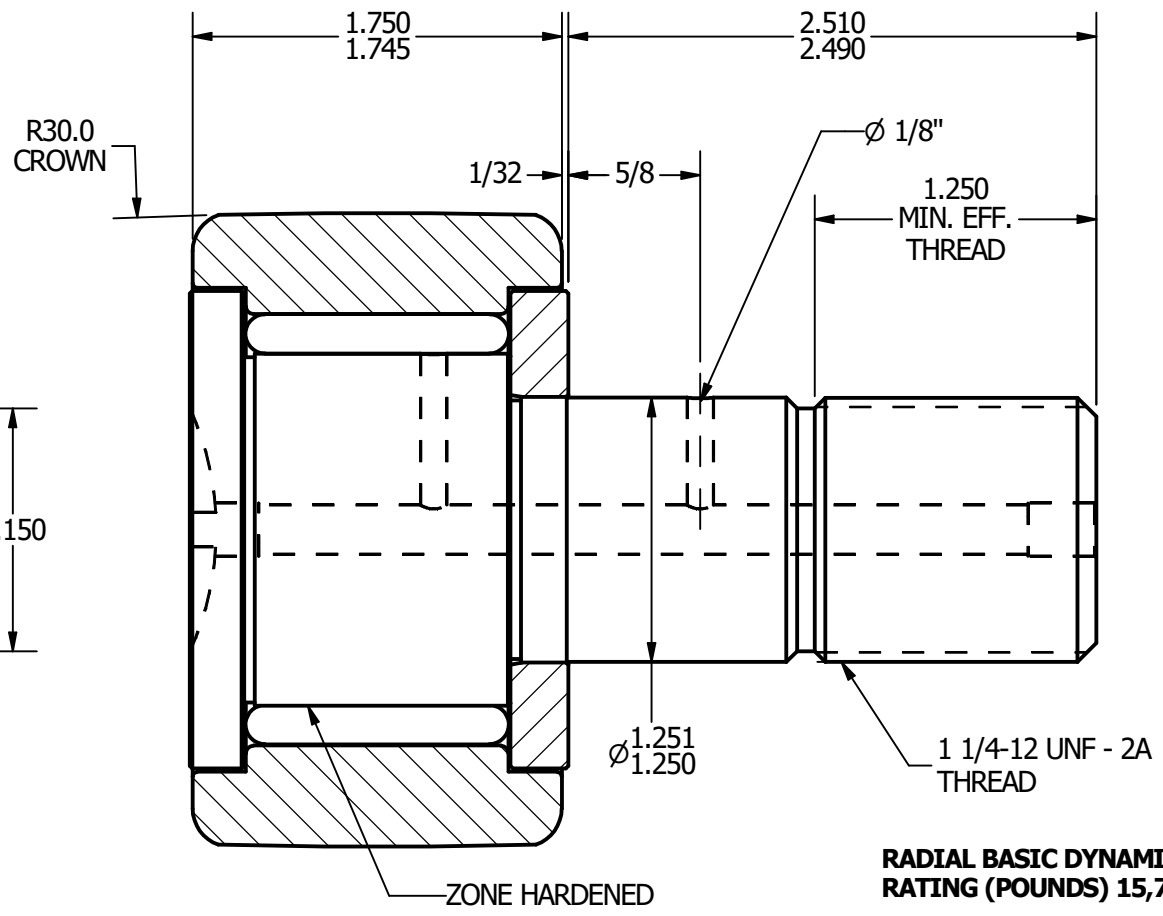
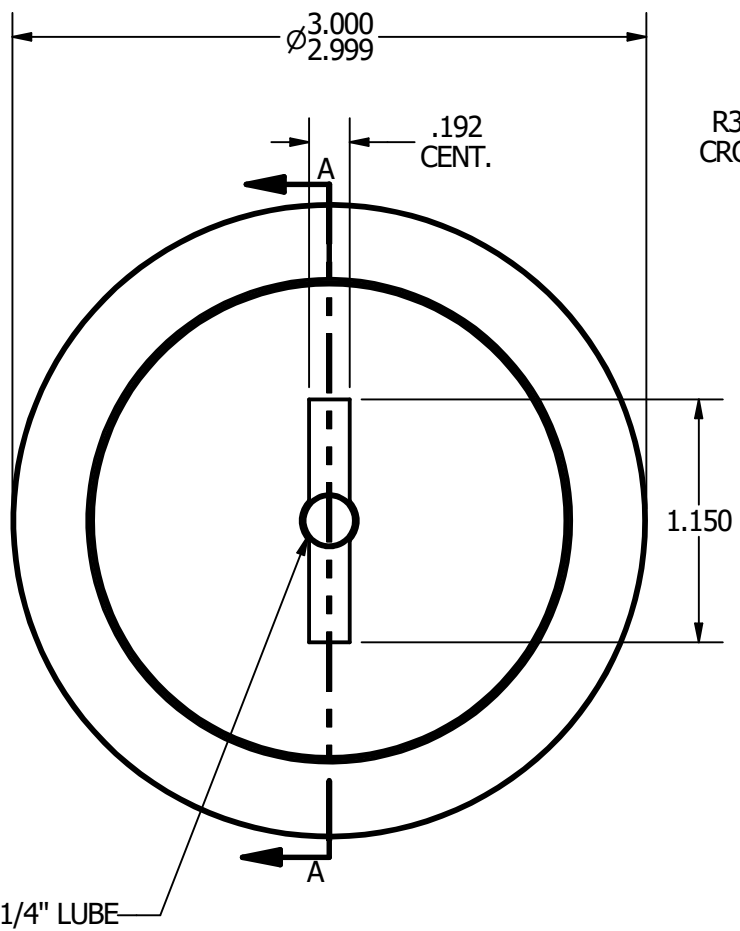
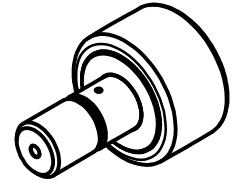


NOTES:
 1. BEARING IS PACKED WITH GREASE
 2. ALL EXPOSED SURFACES ARE BLACK OXIDED



RADIAL BASIC DYNAMIC RATING (POUNDS) 15,720
MAXIMUM STATIC CAPACITY (POUNDS) 24,910

MATERIAL NOTES:

OUTER - BEARING STEEL, HEAT TREATED
STUD - BEARING STEEL, ZONE HARDENED
ROLLER - BEARING STEEL, HEAT TREATED
WASHER - COLD ROLLED STEEL, HEAT TREATED

CUSTOMER PART#	.XX = ± .01 .XXX = ± .005 .XXXX = ± .0005 ANGLES = ± 1' INCH [METRIC]
CHANGE NOTE:	

CARTER MANUFACTURING IS NOT RESPONSIBLE FOR TYPOGRAPHICAL ERRORS

REVISION	
A	AUTHOR. BY JGV
REV. BY EMD	DATE 7/7/2006

CARTER MANUFACTURING CO., INC.
 GRAND HAVEN, MICHIGAN 49417

PART NAME: Assembly		SHEET 1 OF 2			
AUTHOR. BY	DRAWN BY	CHK'D BY	SALES	MATERIAL	
JGV	EMD	JGV	KPR	NOTED	
REV. BY	DATE	DATE	DATE	DRAWING NO.	
EMD	7/7/2006	7/7/2006	7/7/2006	CCNB-96	