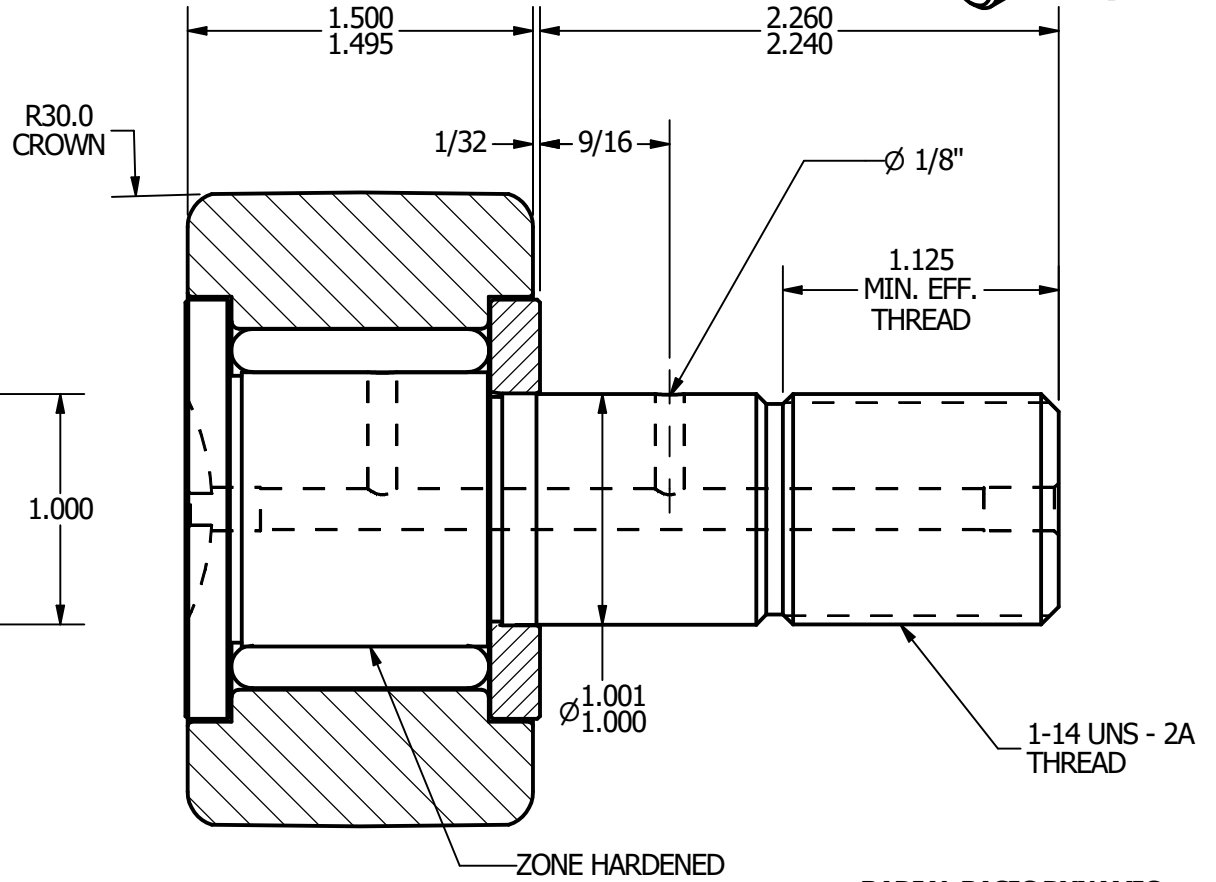
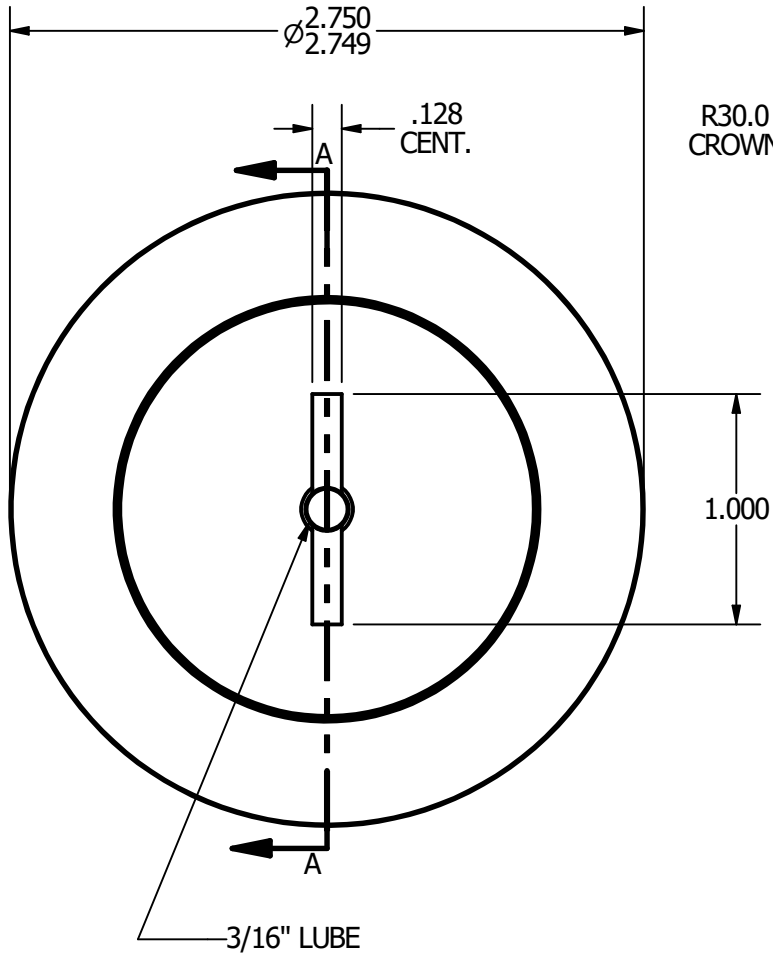
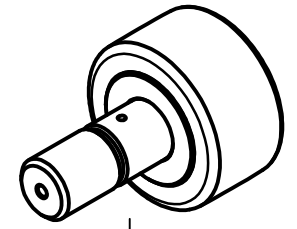


**NOTES:**  
 1. BEARING IS PACKED WITH GREASE  
 2. ALL EXPOSED SURFACES ARE BLACK OXIDED



**RADIAL BASIC DYNAMIC RATING (POUNDS) 11,720**

**MAXIMUM STATIC CAPACITY (POUNDS) 16,450**

**MATERIAL NOTES:**

<b>OUTER - BEARING STEEL, HEAT TREATED</b>
<b>STUD - BEARING STEEL, ZONE HARDENED</b>
<b>ROLLER - BEARING STEEL, HEAT TREATED</b>
<b>WASHER - COLD ROLLED STEEL, HEAT TREATED</b>

CUSTOMER PART#	.XX = ± .01 .XXX = ± .005 .XXXX = ± .0005 ANGLES = ± 1' INCH [METRIC]
CHANGE NOTE:	

CARTER MANUFACTURING IS NOT RESPONSIBLE FOR TYPOGRAPHICAL ERRORS

REVISION	
<b>A</b>	
REV. BY	DATE
EMD	7/11/2006

**CARTER MANUFACTURING CO., INC.**  
 GRAND HAVEN, MICHIGAN 49417

PART NAME: Assembly			SHEET 1 OF 2		
AUTHOR. BY	DRAWN BY	CHK'D BY	SALES	MATERIAL	
JGV	EMD	JGV	KPR	NOTED	
DATE	DATE	DATE	DATE	DRAWING NO.	
EMD	7/11/2006	7/11/2006	7/11/2006	CCNB-88	