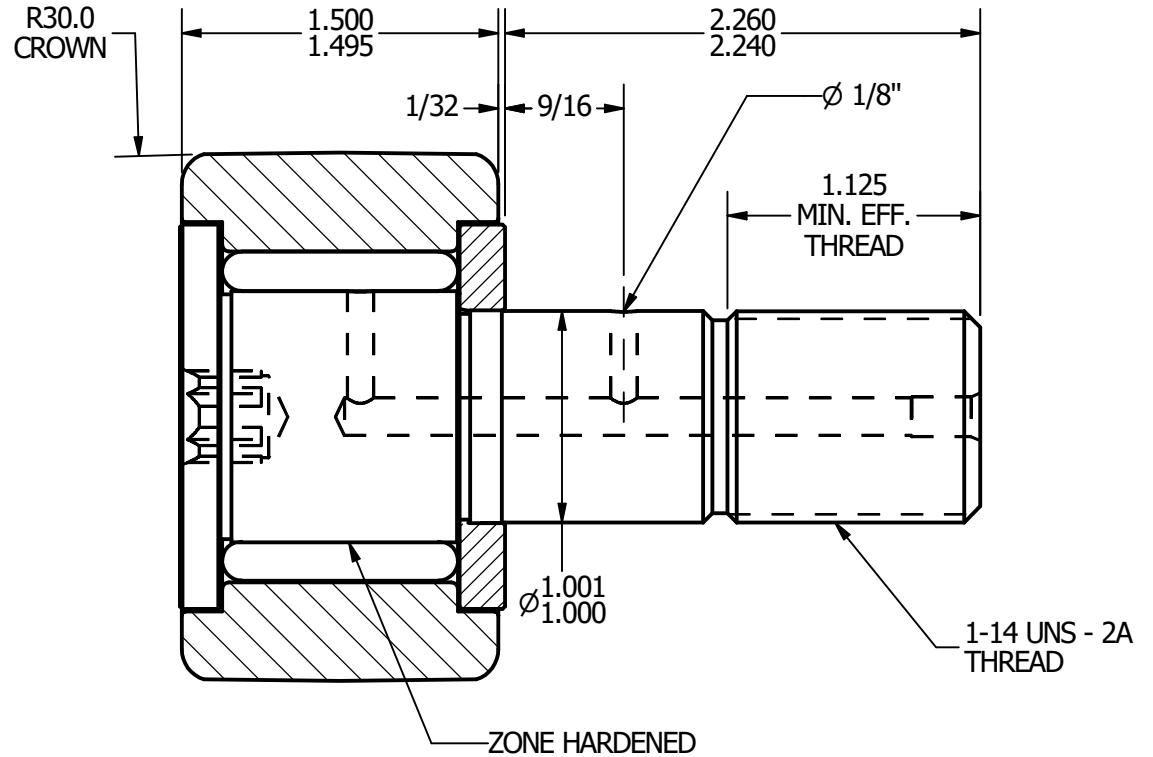
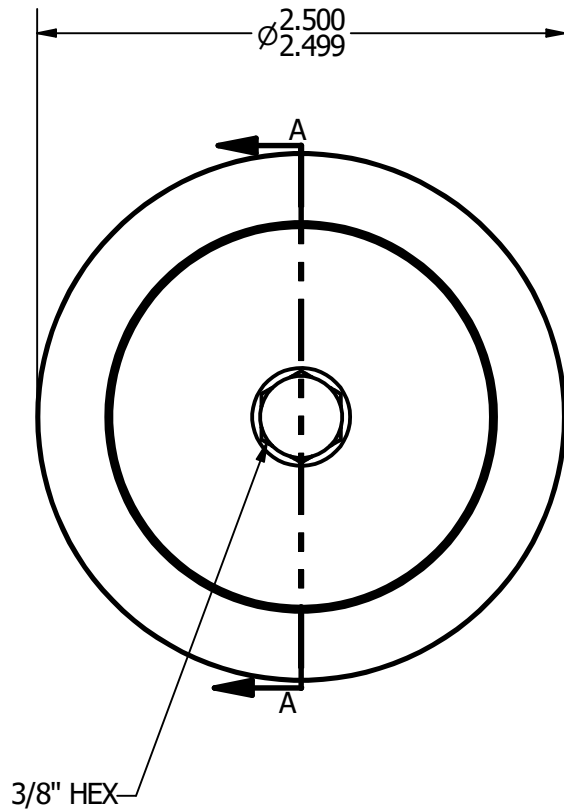
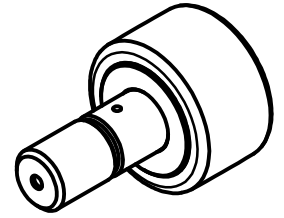


- NOTES:**
 1. BEARING IS PACKED WITH GREASE
 2. ALL EXPOSED SURFACES ARE BLACK OXIDED



RADIAL BASIC DYNAMIC RATING (POUNDS) 11,720

MAXIMUM STATIC CAPACITY (POUNDS) 16,450

MATERIAL NOTES:
 OUTER - BEARING STEEL, HEAT TREATED
 STUD - BEARING STEEL, ZONE HARDENED
 ROLLER - BEARING STEEL, HEAT TREATED
 WASHER - COLD ROLLED STEEL, HEAT TREATED

CUSTOMER PART#
 .XX = ± .01
 .XXX = ± .005
 .XXXX = ± .0005
 ANGLES = ± 1'
 INCH [METRIC]

CARTER MANUFACTURING IS NOT RESPONSIBLE FOR TYPOGRAPHICAL ERRORS

CARTER MANUFACTURING CO., INC.
 GRAND HAVEN, MICHIGAN 49417

CHANGE NOTE:		REVISION		PART NAME: Assembly		SHEET 1 OF 2	
A	AUTHOR. BY	DRAWN BY	CHK'D BY	SALES	MATERIAL		
	JGV	JAF	JGV	KPR	NOTED		
	REV. BY	DATE	DATE	DATE	DATE	DRAWING NO.	
JAF	7/11/2006	7/11/2006	7/11/2006	7/11/2006	CCNB-80-B		