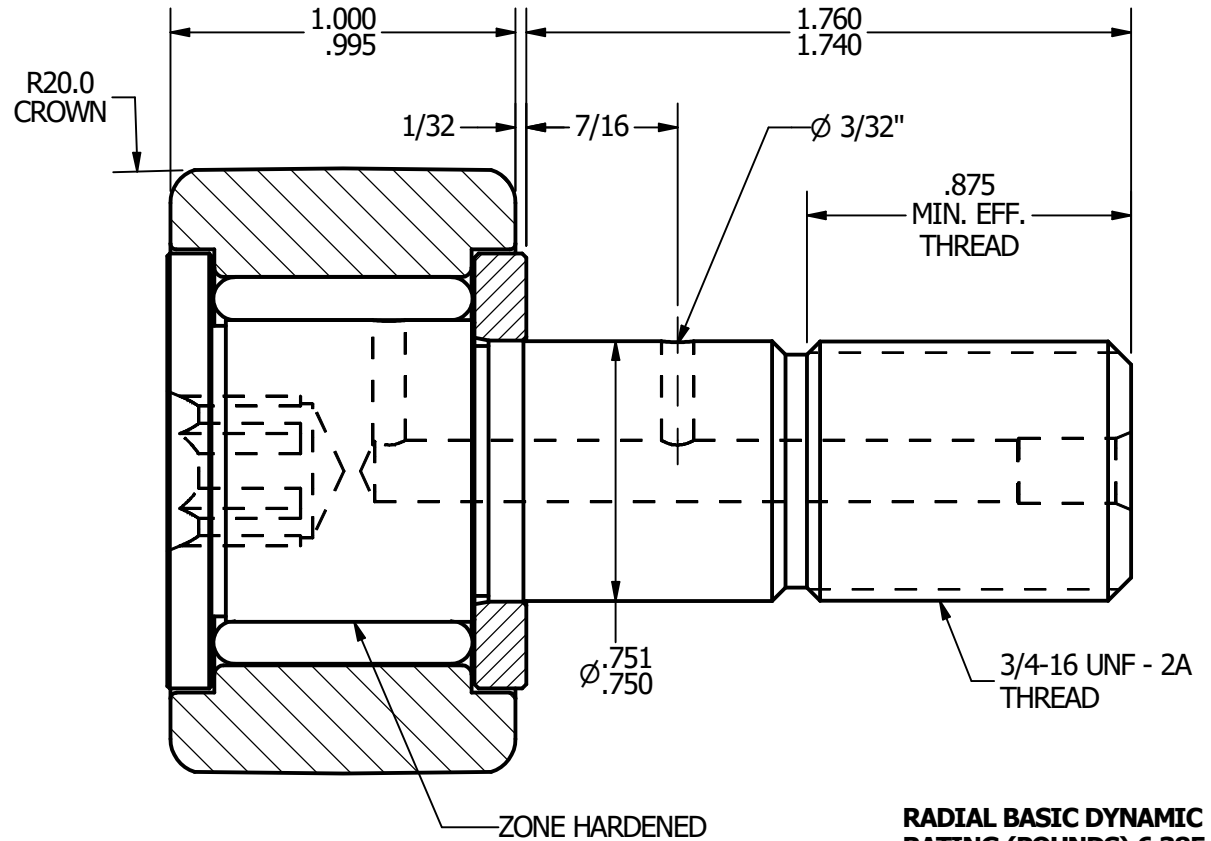
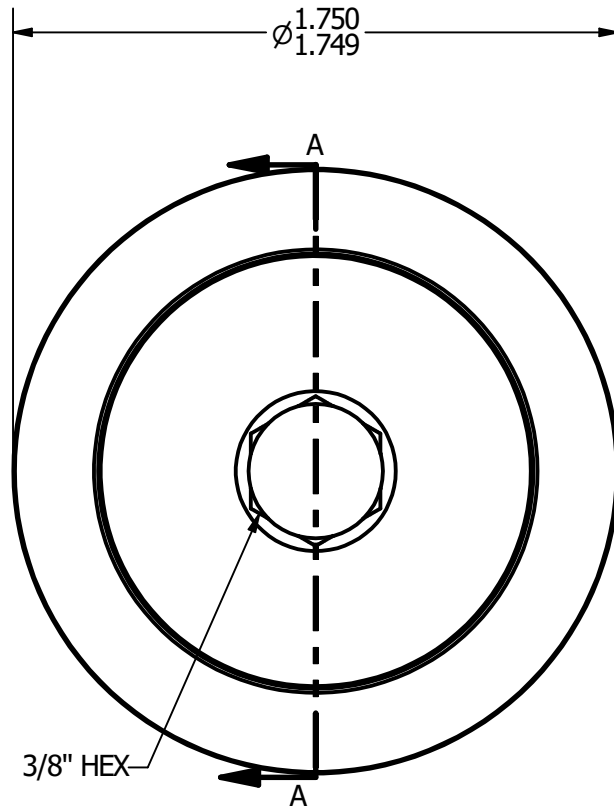
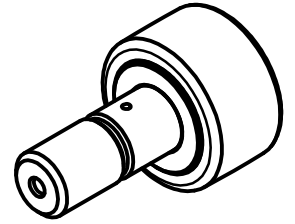


- NOTES:**  
**1. BEARING IS PACKED WITH GREASE**  
**2. ALL EXPOSED SURFACES ARE BLACK OXIDED**



**RADIAL BASIC DYNAMIC RATING (POUNDS) 6,385**

**MAXIMUM STATIC CAPACITY (POUNDS) 7,920**

**MATERIAL NOTES:**  
**OUTER - BEARING STEEL, HEAT TREATED**  
**STUD - BEARING STEEL, ZONE HARDENED**  
**ROLLER - BEARING STEEL, HEAT TREATED**  
**WASHER - COLD ROLLED STEEL, HEAT TREATED**

CUSTOMER PART#  
 .XX =  $\pm .01$   
 .XXX =  $\pm .005$   
 .XXXX =  $\pm .0005$   
 ANGLES =  $\pm 1^\circ$   
 INCH [METRIC]

CARTER MANUFACTURING IS NOT RESPONSIBLE FOR TYPOGRAPHICAL ERRORS

**CARTER MANUFACTURING CO., INC.**  
 GRAND HAVEN, MICHIGAN 49417

CHANGE NOTE:		REVISION		PART NAME: <b>Assembly</b>		SHEET 1 OF 2	
<b>A</b>	AUTHOR. BY	DRAWN BY	CHK'D BY	SALES	MATERIAL		
	JGV	EMD	JGV	KPR	NOTED		
	REV. BY	DATE	DATE	DATE	DATE	DRAWING NO.	
EMD	7/13/2006	7/13/2006	7/13/2006	7/12/2006	CCNB-56-B		