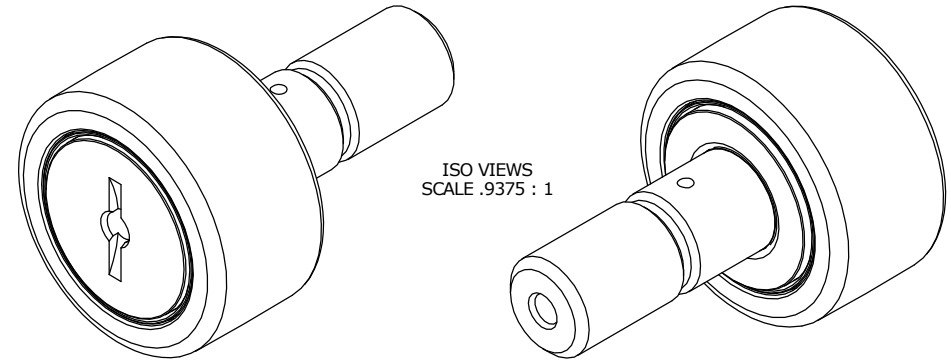


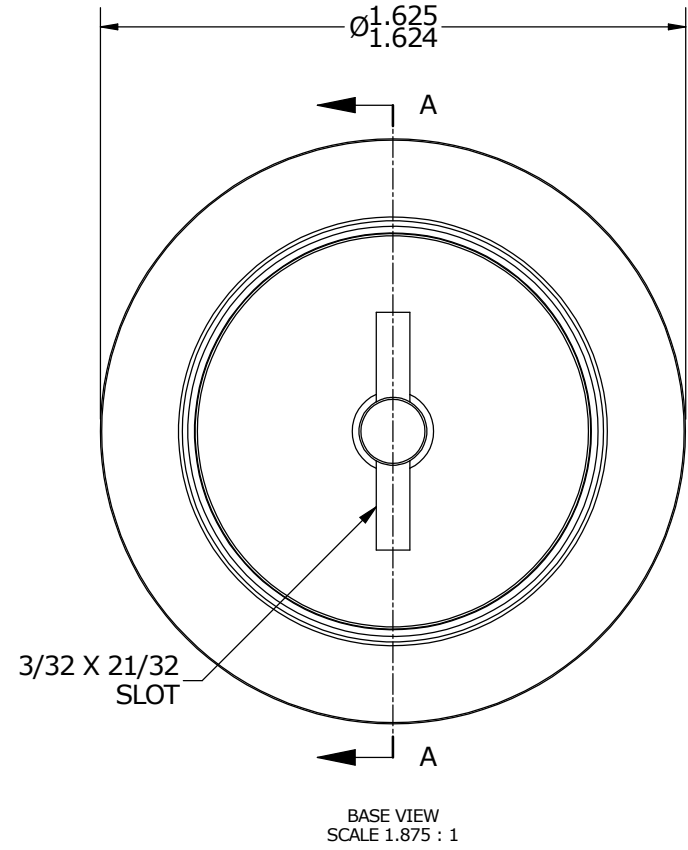
LOAD RATINGS	
RATING	Lbs
RADIAL BASIC DYNAMIC	4,840
MAXIMUM STATIC CAPACITY	5,640

- NOTES:
 1. BEARING IS PACKED WITH NLGI GRADE 2, LITHIUM BASED GREASE
 2. ALL EXPOSED SURFACES HAVE BLACK OXIDE

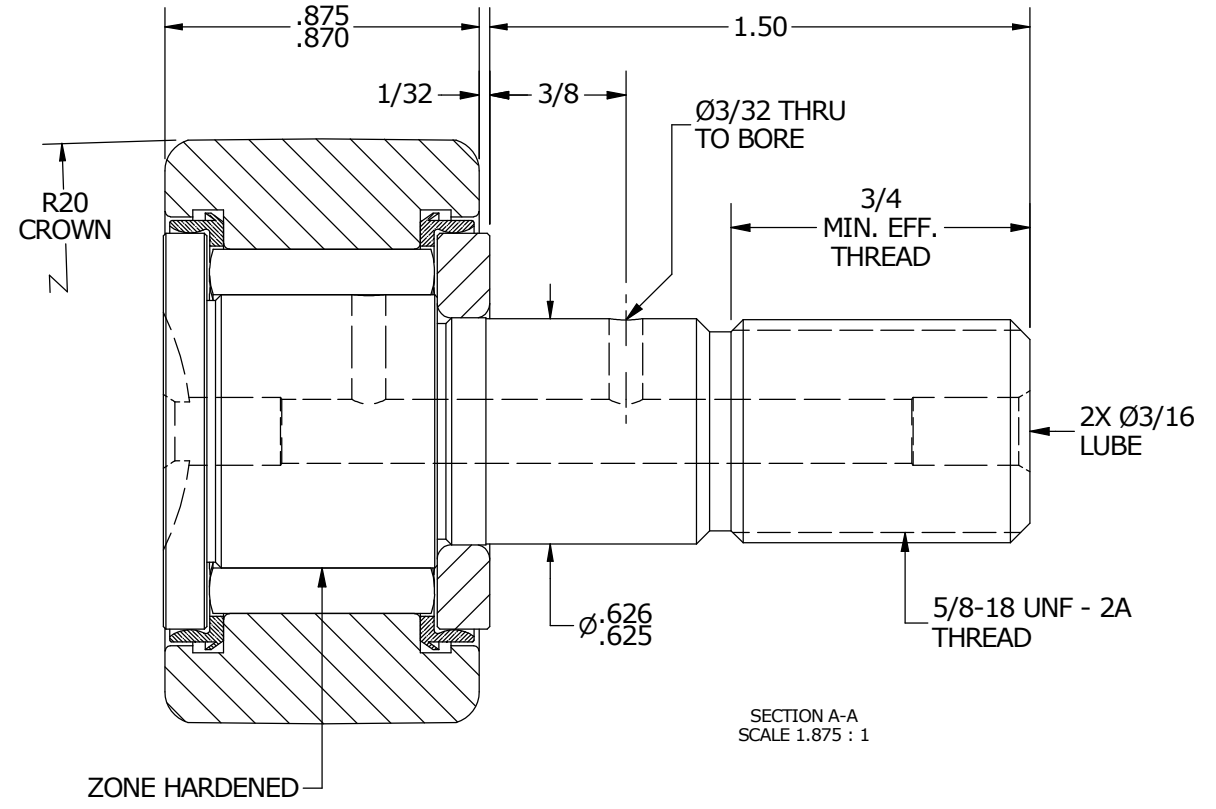
MS NO.	NSN NO.	DRAWING NO.
--------	---------	-------------



ISO VIEWS
SCALE .9375 : 1



BASE VIEW
SCALE 1.875 : 1



SECTION A-A
SCALE 1.875 : 1

MATERIAL NOTES:

- OUTER RACE - BEARING STEEL, HEAT TREATED
- STUD - BEARING STEEL, ZONE HARDENED
- NEEDLE ROLLERS - BEARING STEEL, HEAT TREATED
- WASHER - COLD ROLLED STEEL, HEAT TREATED
- SEALS - SYNTHETIC

CUSTOMER PART#	XX = ± .01 XXX = ± .005 XXXX = ± .0005 ANGLES = ± 1' INCH [METRIC] FRACTION = ± 1/32
<i>ENGINEERING CHANGE ORDER NOTE</i>	

CARTER MANUFACTURING IS NOT RESPONSIBLE FOR TYPOGRAPHICAL ERRORS

CARTER MANUFACTURING CO., INC.
 GRAND HAVEN, MICHIGAN 49417

REVISION		PART NAME: ASSEMBLY			
REVISION BY	DATE	DRAWN BY	CHK'D BY	SALES	MATERIAL
C	DB	EMD	SGW	KR	NOTED
MD	11/11/2013	7/14/2006	11/11/2013	10/24/2010	1 OF 2