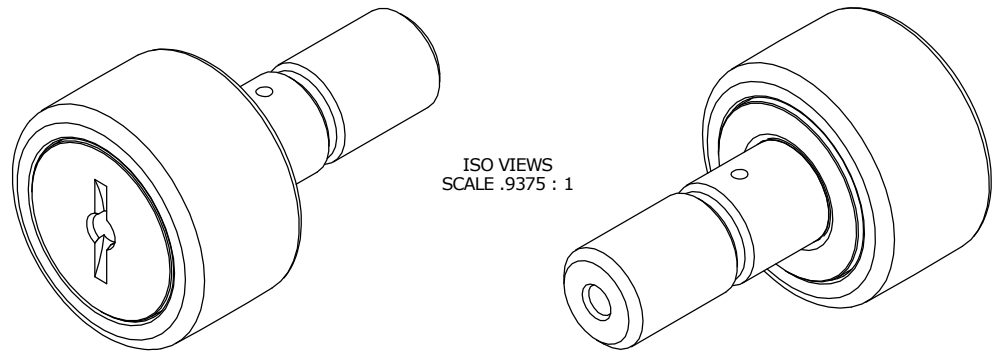


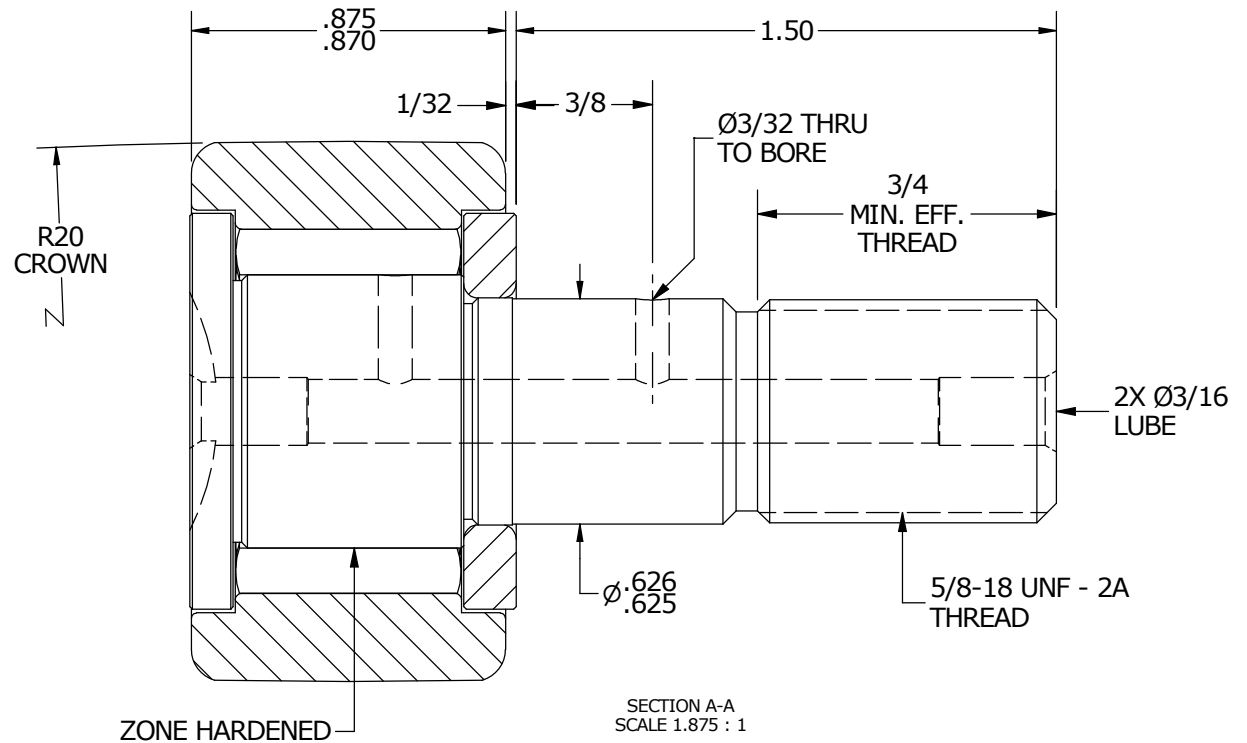
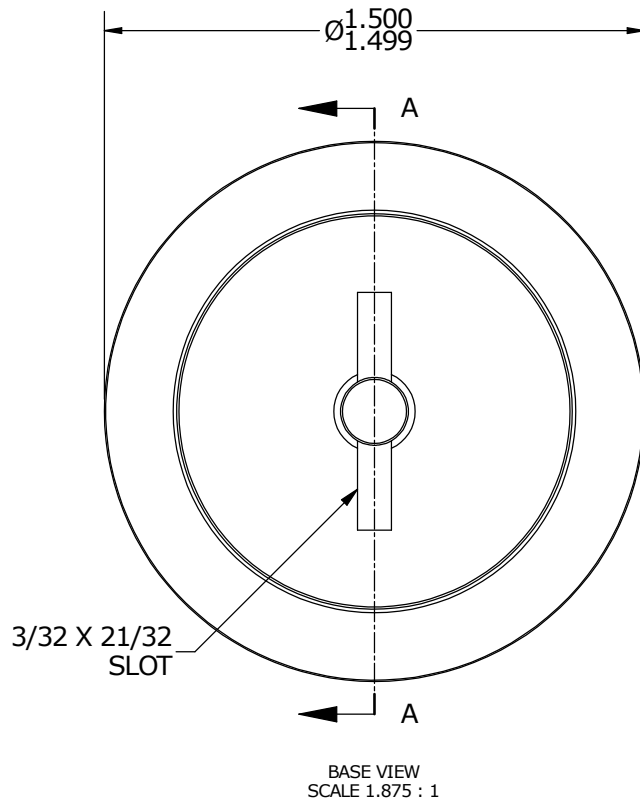
LOAD RATINGS	
RATING	Lbs
RADIAL BASIC DYNAMIC	4,840
MAXIMUM STATIC CAPACITY	5,640

- NOTES:
- BEARING IS PACKED WITH NLGI GRADE 2, LITHIUM BASED GREASE
 - ALL EXPOSED SURFACES HAVE BLACK OXIDE

MS NO.	NSN NO.	DRAWING NO.
--------	---------	-------------



ISO VIEWS
SCALE .9375 : 1



MATERIAL NOTES:

- OUTER RACE - BEARING STEEL, HEAT TREATED
- STUD - BEARING STEEL, ZONE HARDENED
- WASHER - COLD ROLLED STEEL, HEAT TREATED
- NEEDLE ROLLERS - BEARING STEEL, HEAT TREATED

CUSTOMER PART#

XX = ± .01
 XXX = ± .005
 XXXX = ± .0005
 ANGLES = ± 1'
 INCH [METRIC]
 FRACTION = ± 1/32

CARTER MANUFACTURING IS NOT RESPONSIBLE FOR TYPOGRAPHICAL ERRORS

CARTER MANUFACTURING CO., INC.

GRAND HAVEN, MICHIGAN 49417

ENGINEERING CHANGE ORDER NOTE

REVISION

PART NAME: ASSEMBLY

REVISION	AUTHOR BY	DRAWN BY	CHK'D BY	SALES	MATERIAL
C	DB	EMD	SGW	KR	NOTED
REVISION BY	DATE	DATE	DATE	DATE	SHEET
MD	11/26/2013	7/13/2006	11/26/2013	10/24/2010	1 OF 2