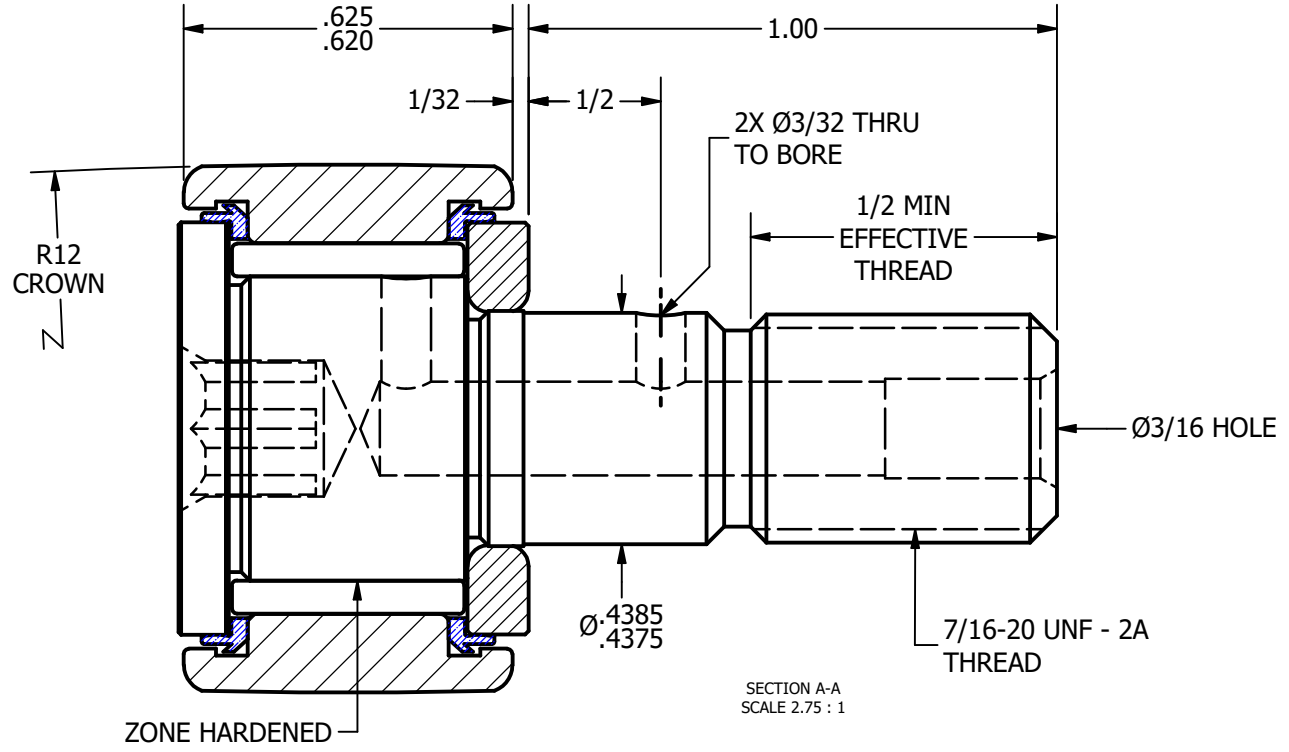
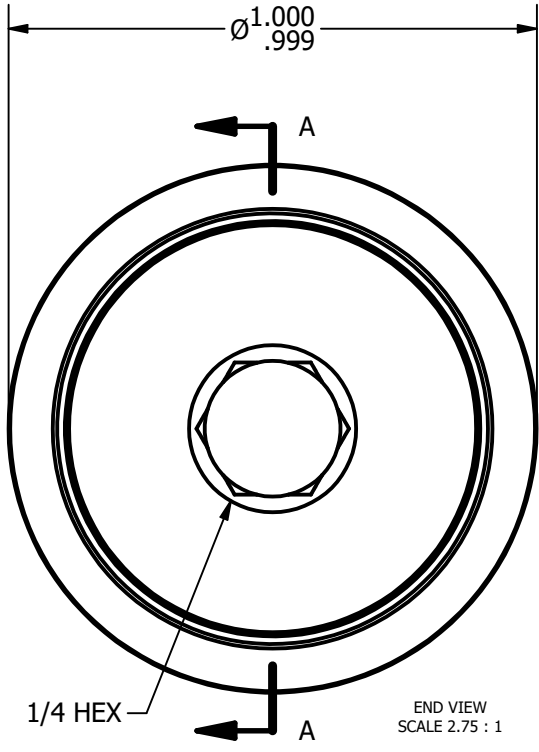
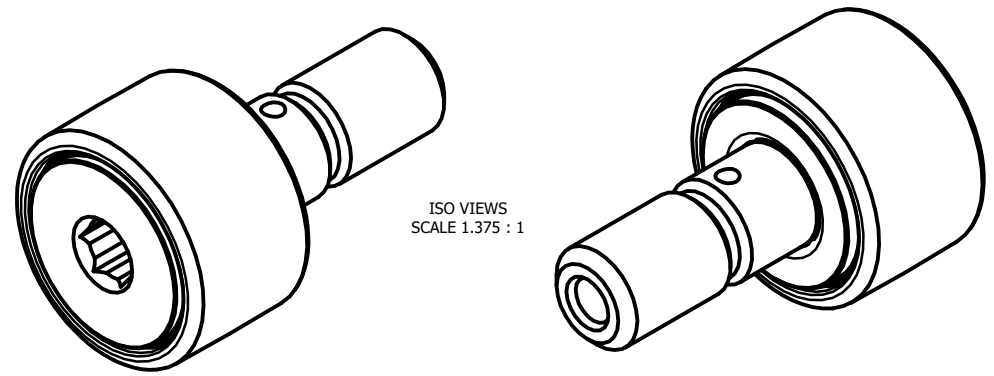


LOAD RATINGS	
RATING	Lbs
RADIAL BASIC DYNAMIC	2,225
MAXIMUM STATIC CAPACITY	3,060

NOTES:  
 1. BEARING IS PACKED WITH LITHIUM BASED #2 WEIGHT GREASE  
 2. ALL EXPOSED SURFACES HAVE BLACK OXIDE



MATERIAL NOTES:  
 OUTER RACE - BEARING STEEL, HEAT TREATED  
 STUD - BEARING STEEL, ZONE HARDENED  
 NEEDLE ROLLERS - BEARING STEEL, HEAT TREATED  
 WASHER - COLD ROLLED STEEL, HEAT TREATED  
 SEALS - SYNTHETIC

CUSTOMER PART#	.XX = ± .01 .XXX = ± .005 .XXXX = ± .0005 ANGLES = ± 1° INCH [METRIC] FRACTION = ± 1/32
CHANGE NOTE:	

CARTER MANUFACTURING IS NOT RESPONSIBLE FOR TYPOGRAPHICAL ERRORS	
REVISION	
<b>C</b>	<b>AUTHOR. BY</b>
DB	GJP
<b>REV. BY</b>	<b>DATE</b>
SGW	4/24/2013

<b>CARTER MANUFACTURING CO., INC.</b>					
GRAND HAVEN, MICHIGAN 49417					
PART NAME: ASSEMBLY			SHEET 1 OF 2		
<b>SALES</b>	<b>MATERIAL</b>	<b>CHK'D BY</b>	<b>DRAWN BY</b>	<b>AUTHOR. BY</b>	<b>DATE</b>
KPR	NOTED	MD	GJP	DB	4/24/2013
DATE	DRAWING NO.	DATE	DATE	DATE	DATE
3/14/2000	CCNB-32-SB	4/24/2013	3/15/2000	4/24/2013	4/24/2013