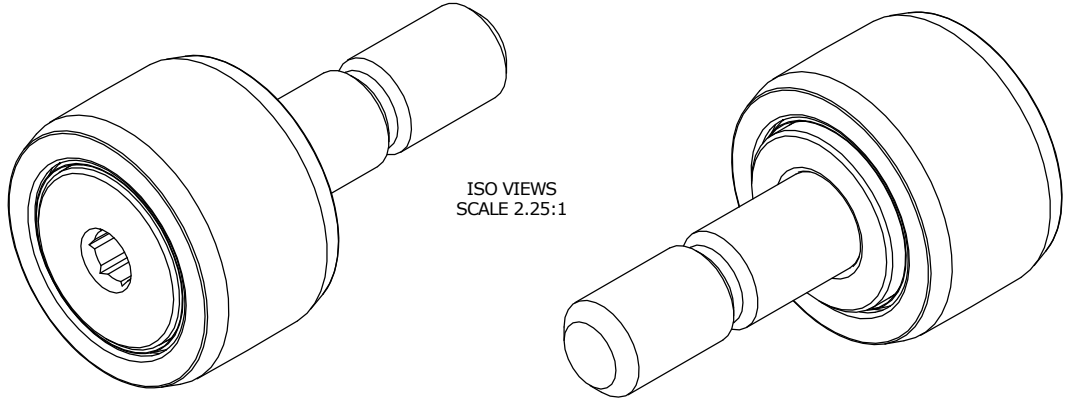


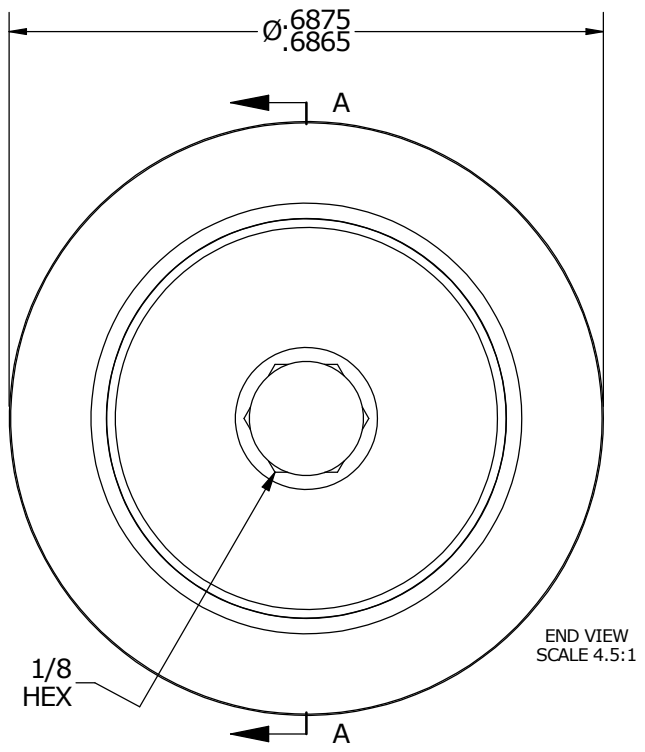
LOAD RATINGS	
RATING	Lbs
RADIAL BASIC DYNAMIC	955
MAXIMUM STATIC CAPACITY	1,215

NOTES:
 1. BEARING IS PACKED WITH NLGI GRADE 2, LITHIUM BASED GREASE
 2. ALL EXPOSED SURFACES HAVE BLACK OXIDE

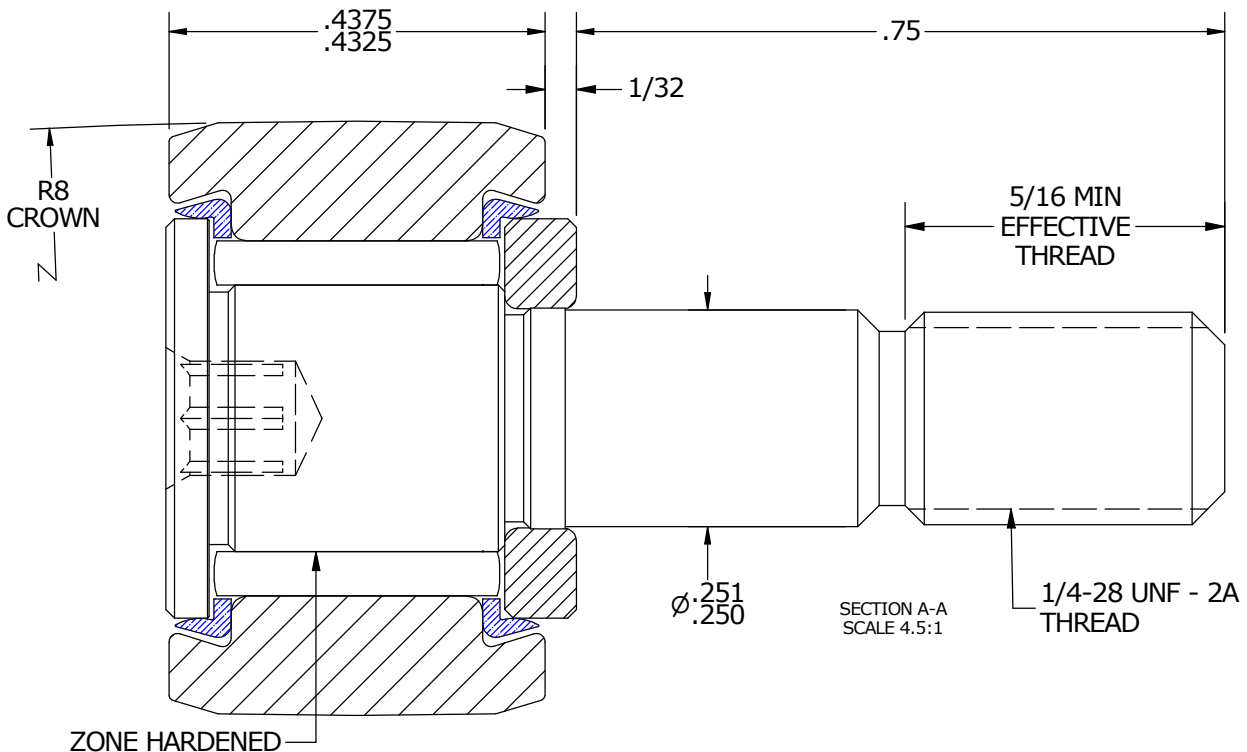
MS NO.	NSN NO.	DRAWING NO.
--------	---------	-------------



ISO VIEWS
SCALE 2.25:1



END VIEW
SCALE 4.5:1



SECTION A-A
SCALE 4.5:1

MATERIAL NOTES:

OUTER RACE - BEARING STEEL, HEAT TREATED
 STUD - BEARING STEEL, ZONE HARDENED
 NEEDLE ROLLER - BEARING STEEL, HEAT TREATED
 WASHER - COLD ROLLED STEEL, HEAT TREATED
 SEAL - SYNTHETIC

CUSTOMER PART#	XX = ± .01 XXX = ± .005 XXXX = ± .0005 ANGLES = ± 1° INCH [METRIC] FRACTION = ± 1/32
<i>ENGINEERING CHANGE ORDER NOTE</i>	

CARTER MANUFACTURING IS NOT RESPONSIBLE FOR TYPOGRAPHICAL ERRORS

CARTER MANUFACTURING CO., INC.
 GRAND HAVEN, MICHIGAN 49417

REVISION		PART NAME: ASSEMBLY			
B	AUTHOR BY	DRAWN BY	CHK'D BY	SALES	MATERIAL
	HG	EMD	MD	KR	NOTED
REVISION BY	DATE	DATE	DATE	DATE	SHEET
SGW	5/12/2014	6/20/2006	5/12/2014	5/12/2014	1 OF 2