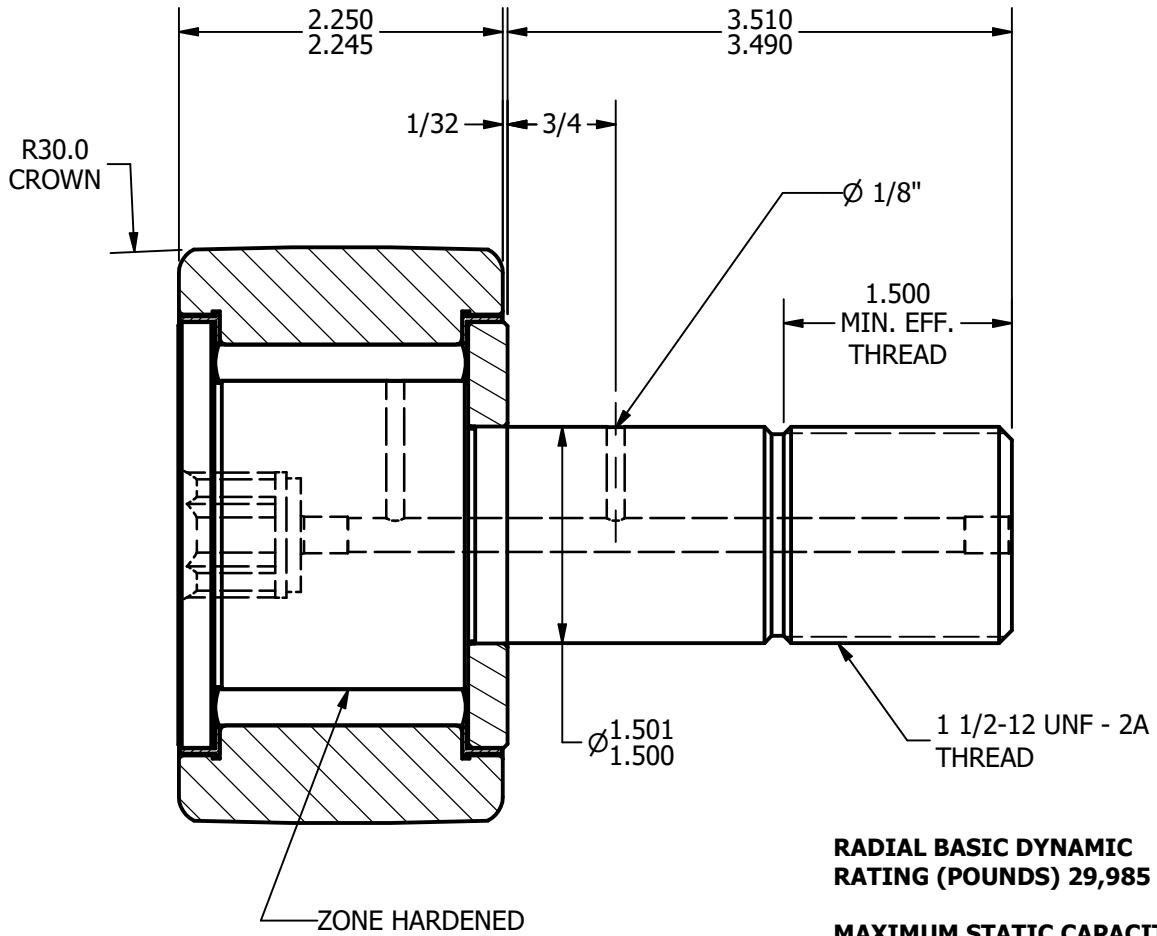
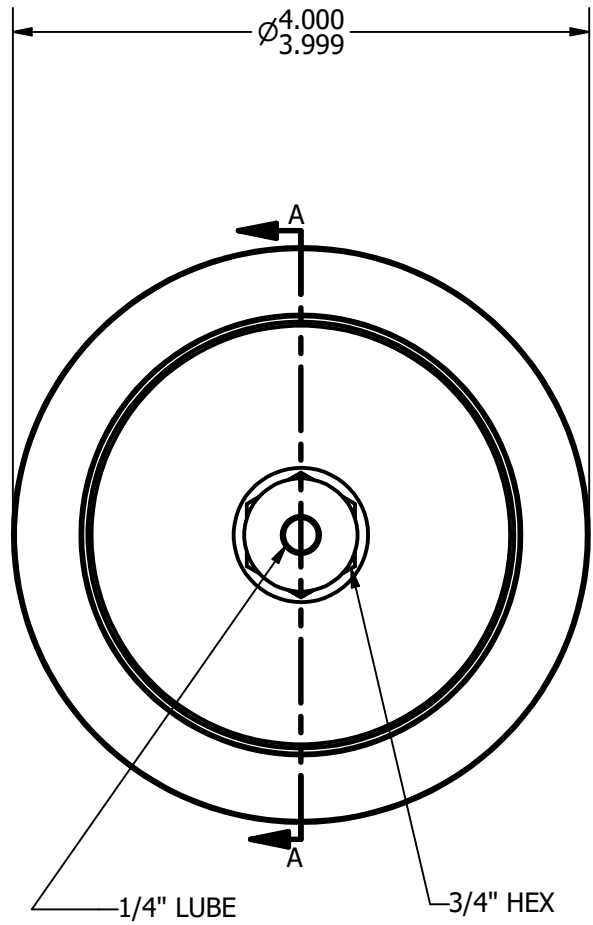
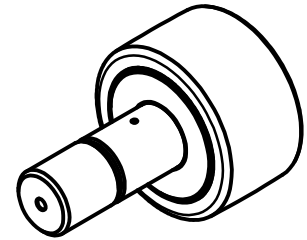


**NOTES:**  
 1. BEARING IS PACKED WITH GREASE  
 2. ALL EXPOSED SURFACES ARE BLACK OXIDED



**RADIAL BASIC DYNAMIC RATING (POUNDS) 29,985**

**MAXIMUM STATIC CAPACITY (POUNDS) 44,770**

**MATERIAL NOTES:**

**OUTER - BEARING STEEL, HEAT TREATED**  
**STUD - BEARING STEEL, ZONE HARDENED**  
**ROLLER - BEARING STEEL, HEAT TREATED**  
**WASHER - COLD ROLLED STEEL, HEAT TREATED**  
**SEAL - SYNTHETIC**

CUSTOMER PART#	.XX = ± .01 .XXX = ± .005 .XXXX = ± .0005 ANGLES = ± 1° INCH [METRIC]
CHANGE NOTE:	

CARTER MANUFACTURING IS NOT RESPONSIBLE FOR TYPOGRAPHICAL ERRORS

REVISION	
<b>A</b>	<b>AUTHOR. BY</b> JGV
<b>REV. BY</b>	<b>DATE</b> 7/6/2006

**CARTER MANUFACTURING CO., INC.**  
 GRAND HAVEN, MICHIGAN 49417

PART NAME: <b>Assembly</b>			SHEET 1 OF 2		
<b>SALES</b>	<b>MATERIAL</b>	<b>CHK'D BY</b>	<b>DATE</b>	<b>DATE</b>	<b>DATE</b>
KPR	NOTED	JGV	7/6/2006	7/6/2006	7/4/2006
<b>CCNB-128-SB</b>					