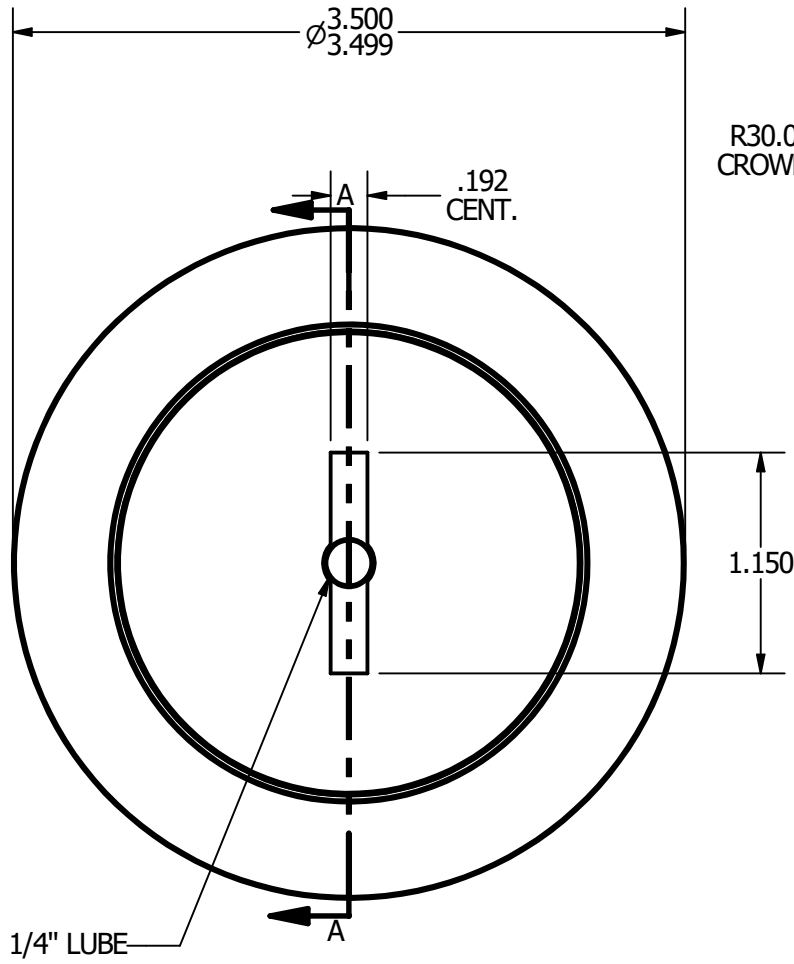
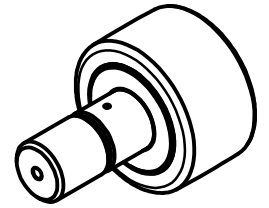
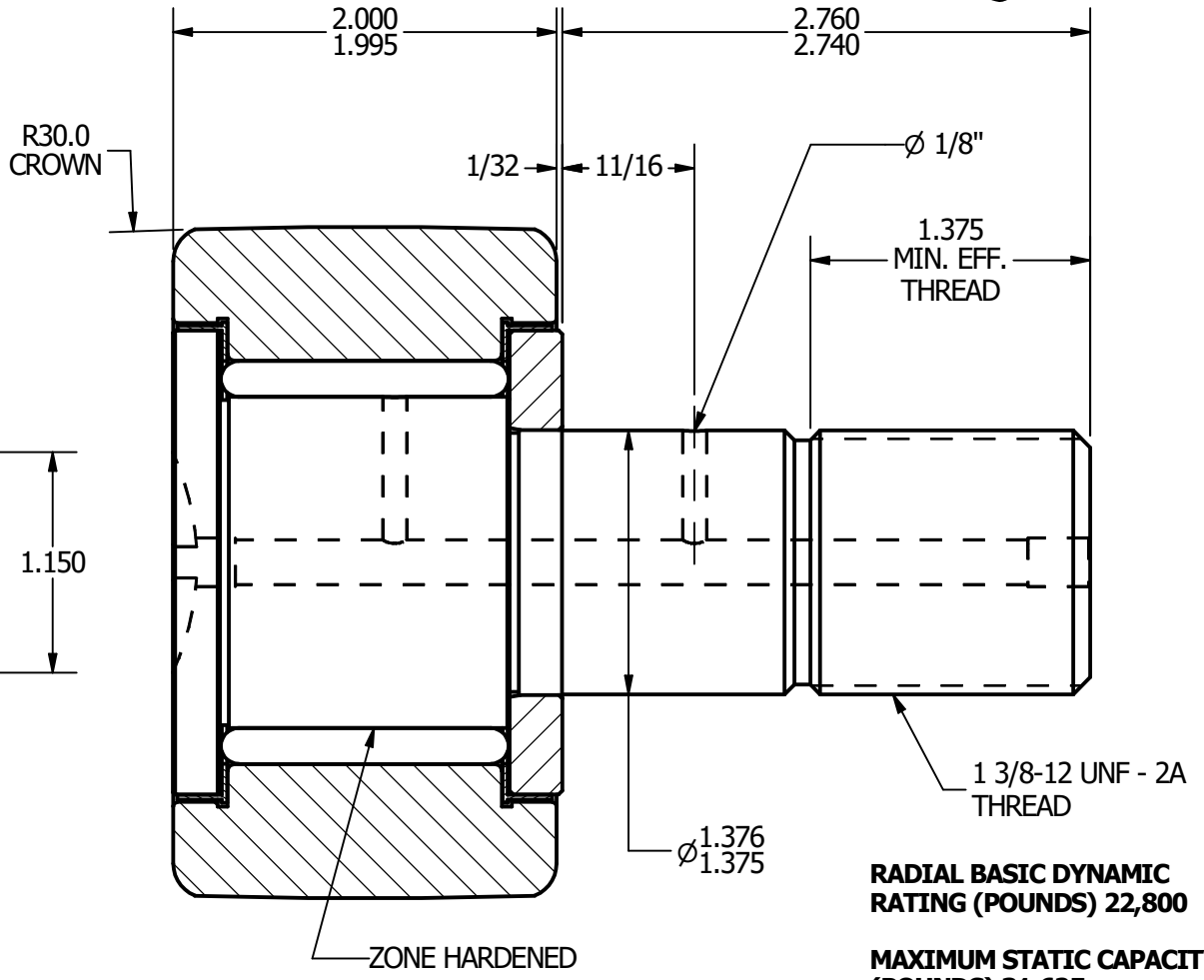


**NOTES:**  
**1. BEARING IS PACKED WITH GREASE**  
**2. ALL EXPOSED SURFACES ARE BLACK OXIDED**



1/4" LUBE



**RADIAL BASIC DYNAMIC RATING (POUNDS) 22,800**  
**MAXIMUM STATIC CAPACITY (POUNDS) 31,625**

**MATERIAL NOTES:**

**OUTER - BEARING STEEL, HEAT TREATED**  
**STUD - BEARING STEEL, ZONE HARDENED**  
**ROLLER - BEARING STEEL, HEAT TREATED**  
**WASHER - COLD ROLLED STEEL, HEAT TREATED**  
**SEAL - SYNTHETIC**

CUSTOMER PART#

.XX = ± .01  
 .XXX = ± .005  
 .XXXX = ± .0005  
 ANGLES = ± 1'  
 INCH [METRIC]

CHANGE NOTE:

CARTER MANUFACTURING IS NOT RESPONSIBLE FOR TYPOGRAPHICAL ERRORS

REVISION

<b>A</b>	<b>AUTHOR. BY</b>	<b>DRAWN BY</b>	<b>CHK'D BY</b>	<b>SALES</b>	<b>MATERIAL</b>
	JGV	EMD	JGV	KPR	NOTED
<b>REV. BY</b>	<b>DATE</b>	<b>DATE</b>	<b>DATE</b>	<b>DATE</b>	<b>DRAWING NO.</b>
EMD	7/7/2006	7/7/2006	7/7/2006	7/7/2006	CCNB-112-S

**CARTER MANUFACTURING CO., INC.**  
 GRAND HAVEN, MICHIGAN 49417

PART NAME: **Assembly** SHEET 1 OF 2