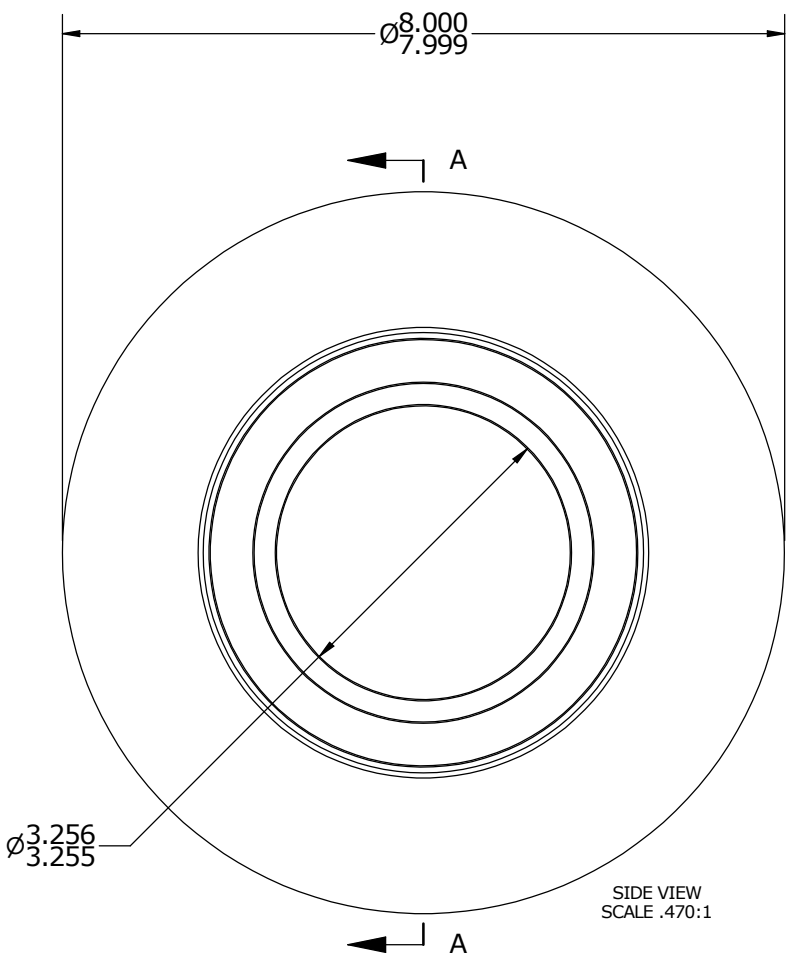
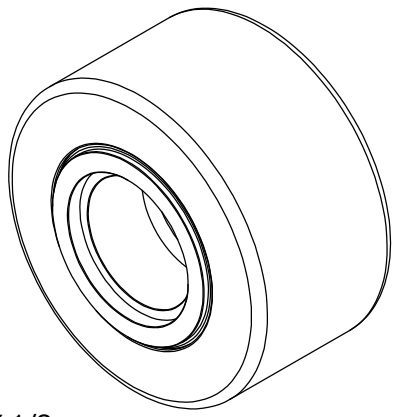


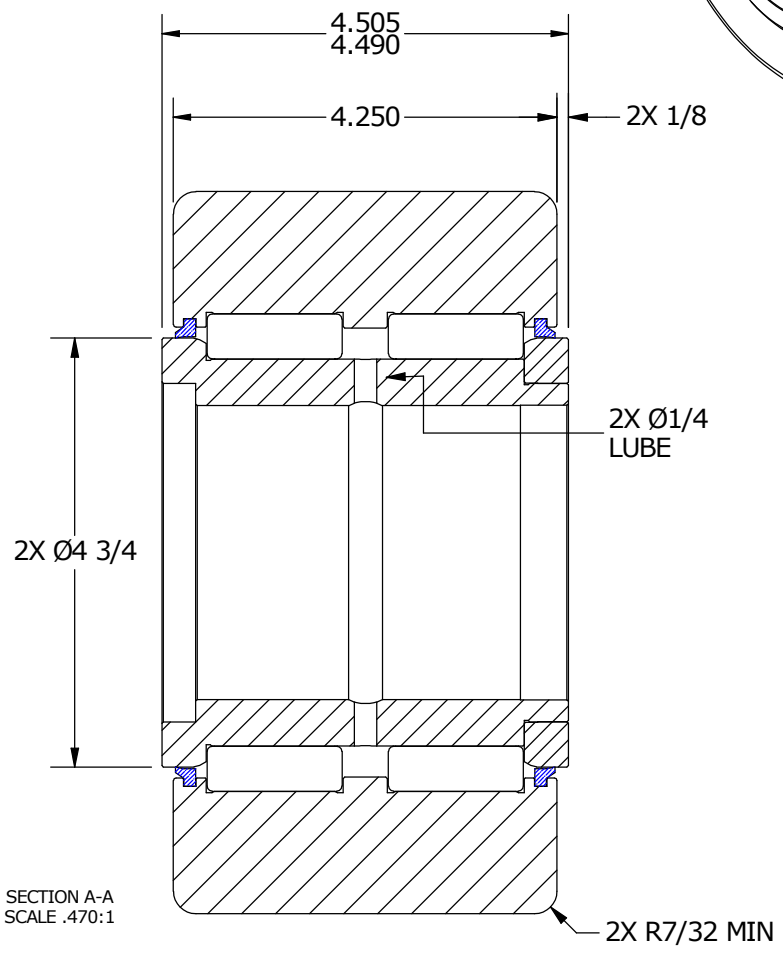
LOAD RATINGS	
RATING	Lbs
RADIAL BASIC DYNAMIC	92,200
MAXIMUM STATIC CAPACITY	288,200

NOTES:  
 1. BEARING IS PACKED WITH NLGI GRADE 2, LITHIUM BASED GREASE  
 2. ALL EXPOSED SURFACES HAVE BLACK OXIDE

ISO VIEW  
SCALE .235:1



SIDE VIEW  
SCALE .470:1



SECTION A-A  
SCALE .470:1

MATERIAL NOTES:  
 OUTER RACE - BEARING STEEL, HEAT TREATED  
 INNER RACE - BEARING STEEL, HEAT TREATED  
 NEEDLE ROLLER - BEARING STEEL, HEAT TREATED  
 WASHER - COLD ROLLED STEEL, HEAT TREATED  
 SEAL - SYNTHETIC

CUSTOMER PART# \_\_\_\_\_  
 XX = ± .01  
 XXX = ± .005  
 XXXX = ± .0005  
 ANGLES = ± 1'  
 INCH [METRIC]  
 FRACTION = ± 1/32

ENGINEERING CHANGE ORDER NOTE

CARTER MANUFACTURING IS NOT RESPONSIBLE FOR TYPOGRAPHICAL ERRORS

**CARTER MANUFACTURING CO., INC.**  
 GRAND HAVEN, MICHIGAN 49417

REVISION		PART NAME: ASSEMBLY			
REVISION BY	DATE	DRAWN BY	CHK'D BY	SALES	MATERIAL
B	HG	JAF	MD	KR	NOTED
REVISION BY	DATE	DATE	DATE	DATE	SHEET
SGW	8/22/2014	8/3/2006	8/22/2014	8/25/2014	1 OF 3