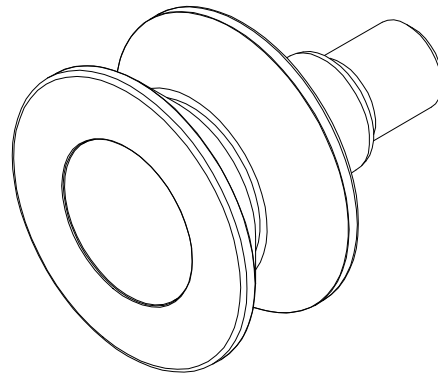


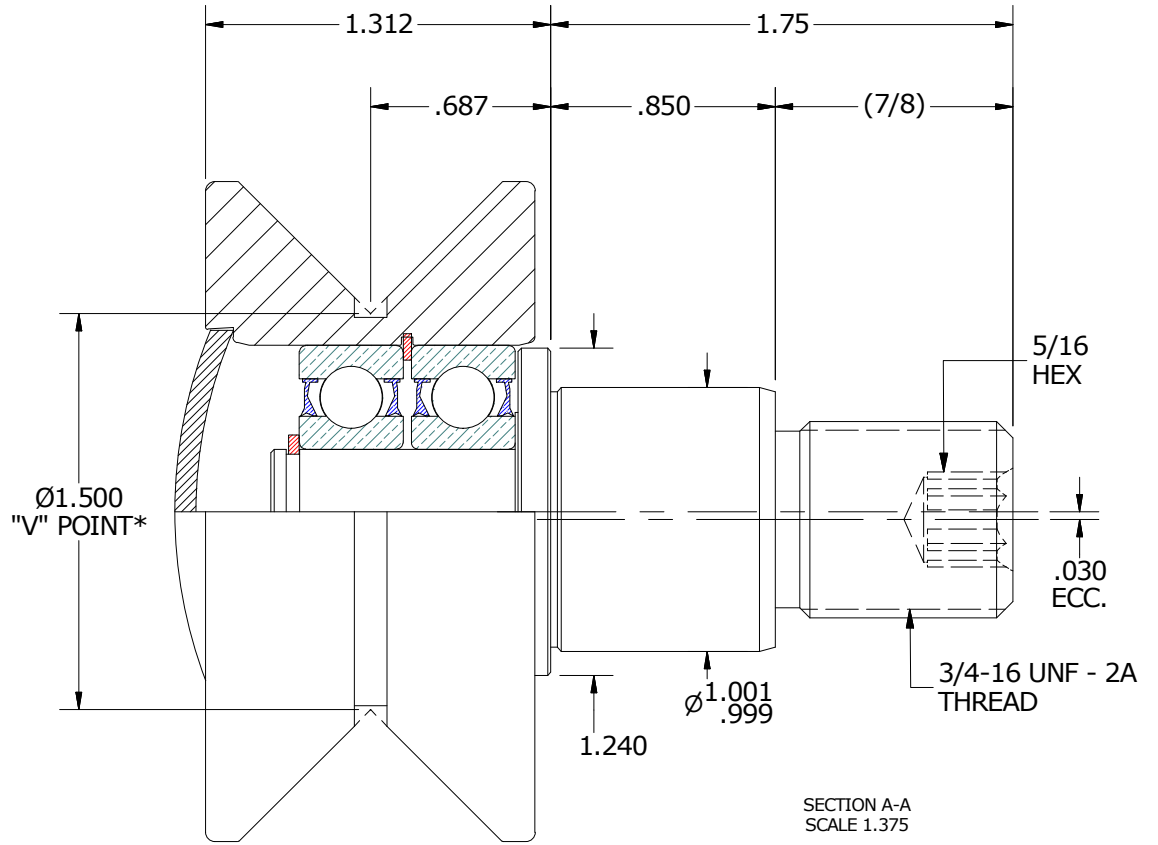
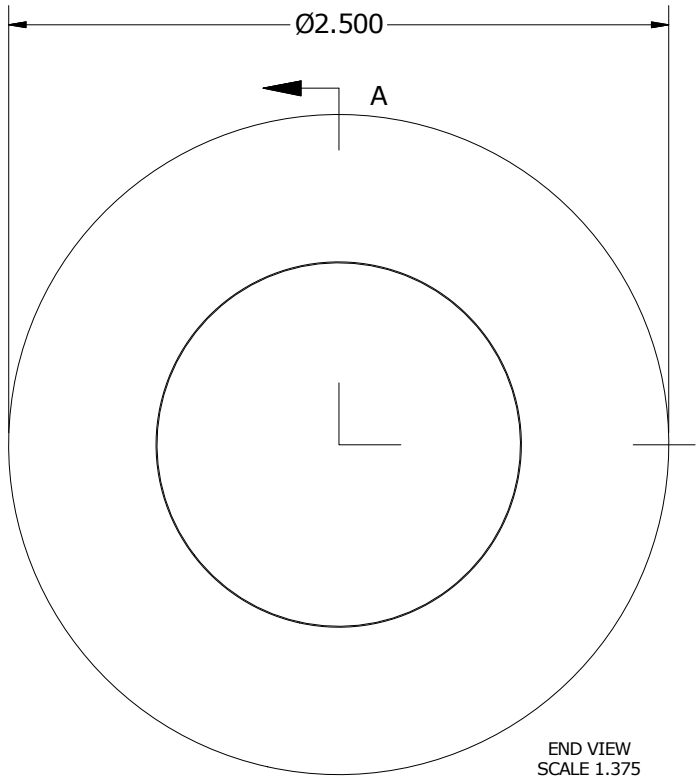
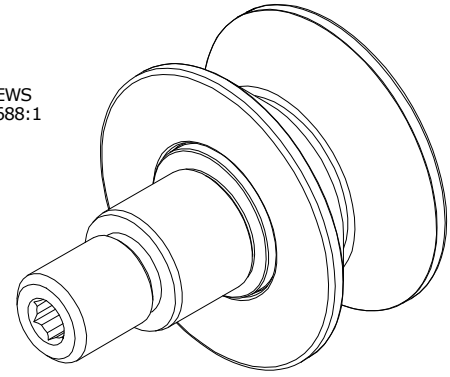
LOAD RATINGS	
RATING	Lbs
RADIAL BASIC DYNAMIC	2,380
DYNAMIC THRUST LOAD	1,880
MAXIMUM STATIC CAPACITY	1,300

- NOTES:
 1. BALL BEARINGS COME PRE-PACKED WITH GREASE
 2. STUD, OUTER HOUSING AND END CAP HAVE BLACK OXIDE ON ALL EXPOSED SURFACES.

MS NO. _____ NSN NO. _____ DRAWING NO. _____ VHRE-250-A



ISO VIEWS
SCALE .688:1



*DIMENSION IS PULLED FROM VIRTUAL POINTS

MATERIAL NOTES:
 OUTER HOUSING - BEARING STEEL, HEAT TREATED
 STUD - COLD ROLLED STEEL
 BALL BEARING ASSEMBLIES - 6201 2RS
 END CAP - COLD ROLLED STEEL
 RETAINING RING(S) - SPRING STEEL

CUSTOMER PART#	XX = ± .01 XXX = ± .005 XXXX = ± .0005 ANGLES = ± 1' INCH [METRIC] FRACTION = ± 1/32
ENGINEERING CHANGE ORDER NOTE	

CARTER MANUFACTURING IS NOT RESPONSIBLE FOR TYPOGRAPHICAL ERRORS	
REVISION	
B	AUTHOR BY HG
REVISION BY SGW	DATE 12/5/2017

CARTER MANUFACTURING CO., INC. GRAND HAVEN, MICHIGAN 49417					
PART NAME: ASSEMBLY					
DRAWN BY AJH	CHK'D BY MD	SALES KR	MATERIAL NOTED		
DATE 2/14/2003	DATE 12/5/2017	DATE 12/5/2017	SHEET 1 OF 2		